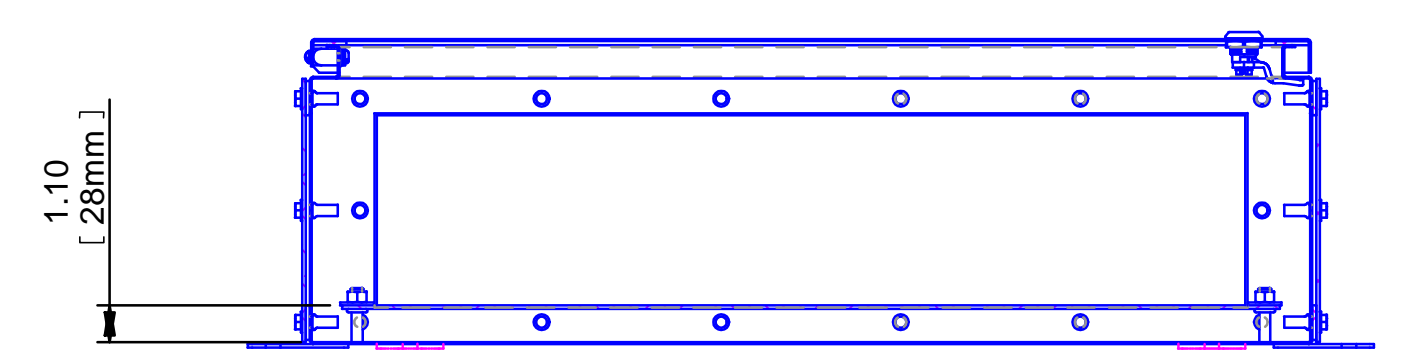
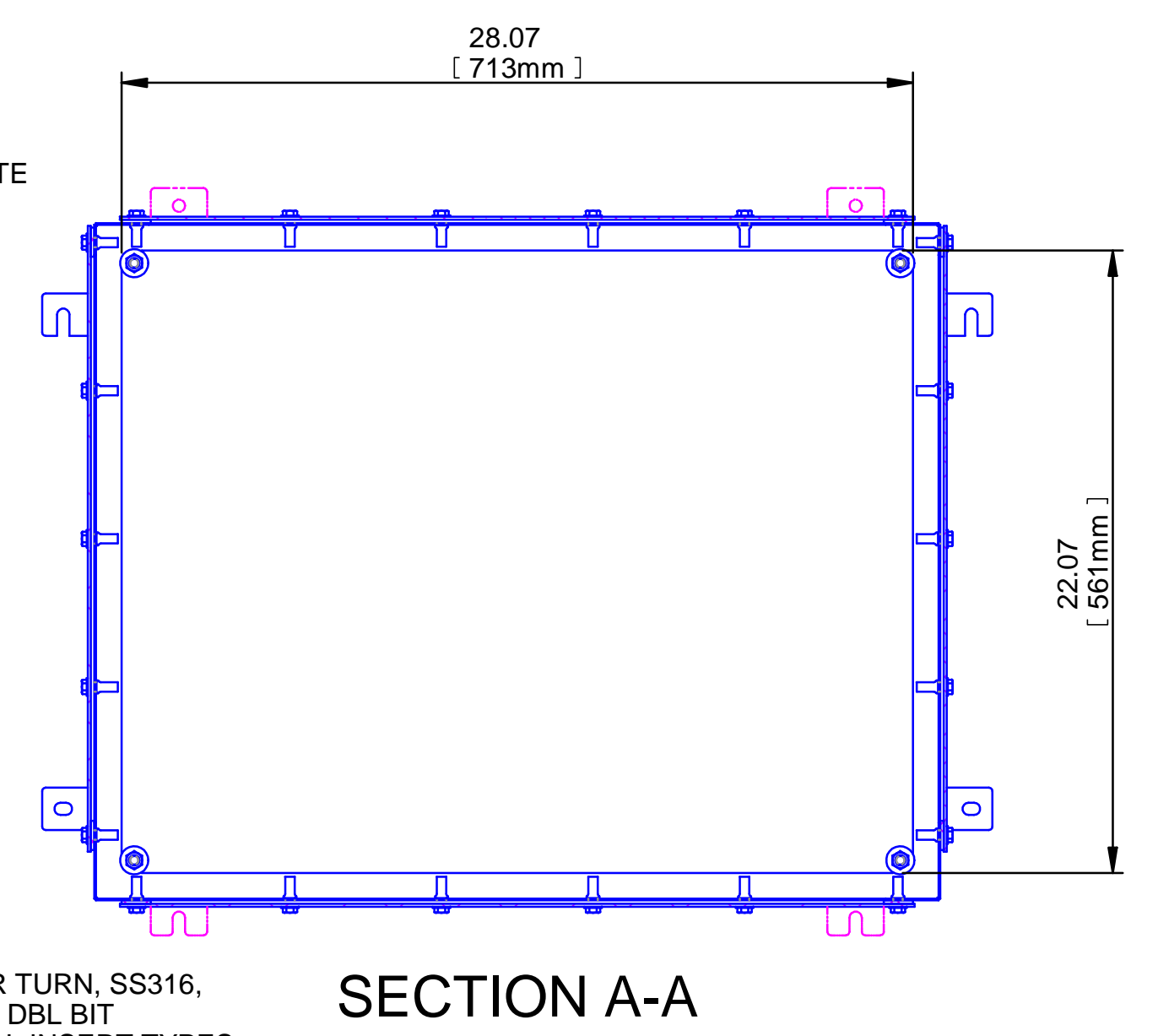
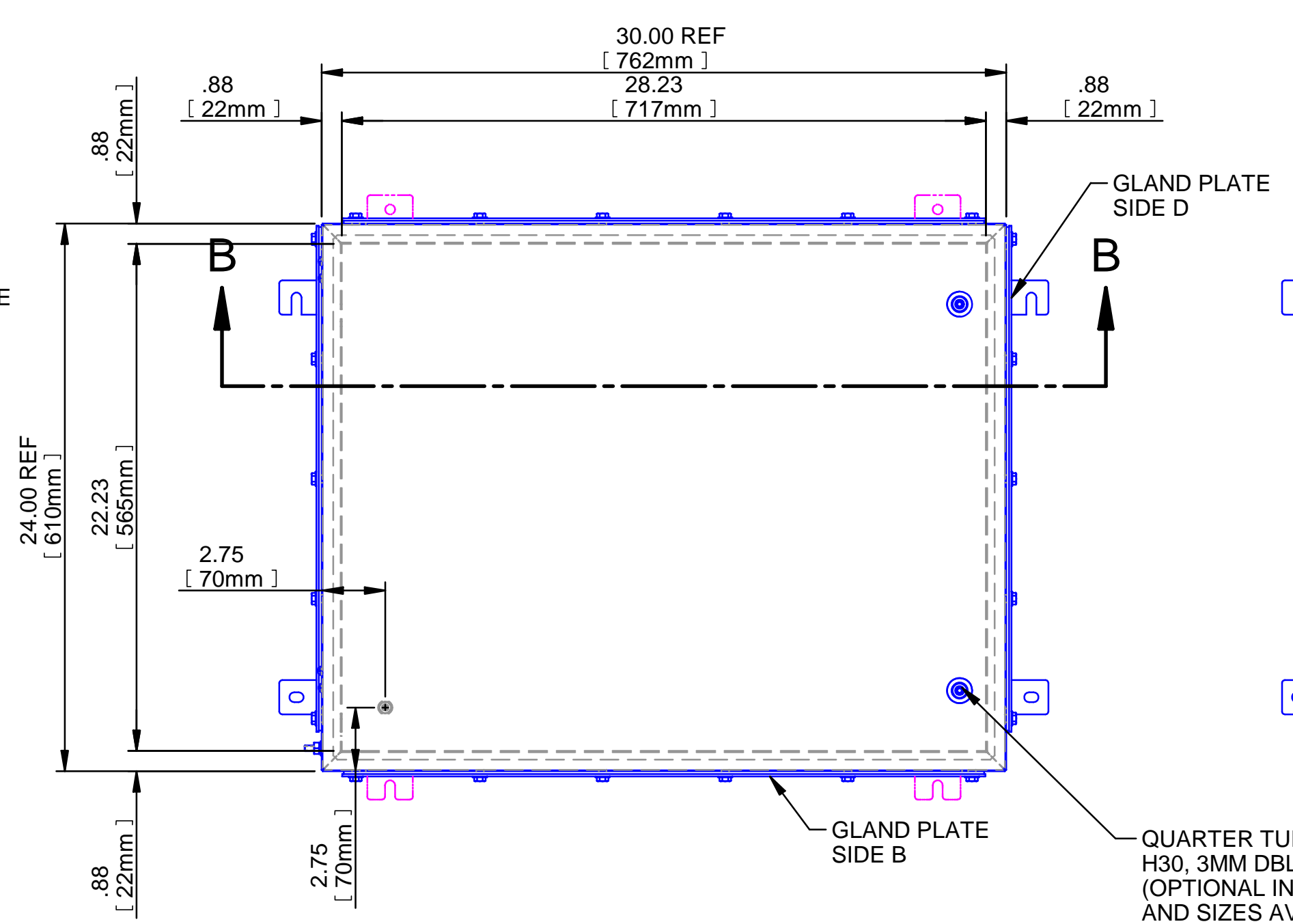
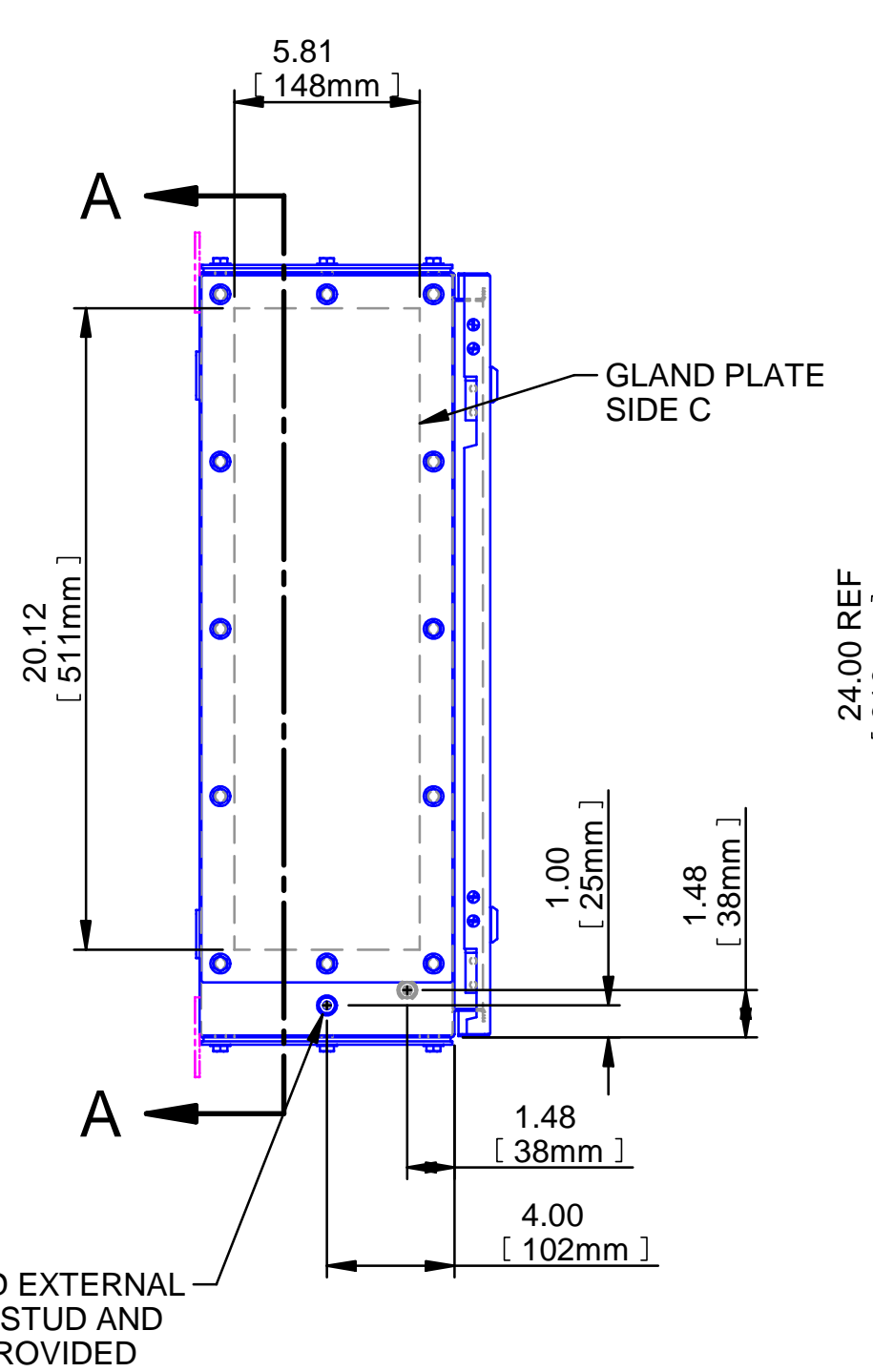
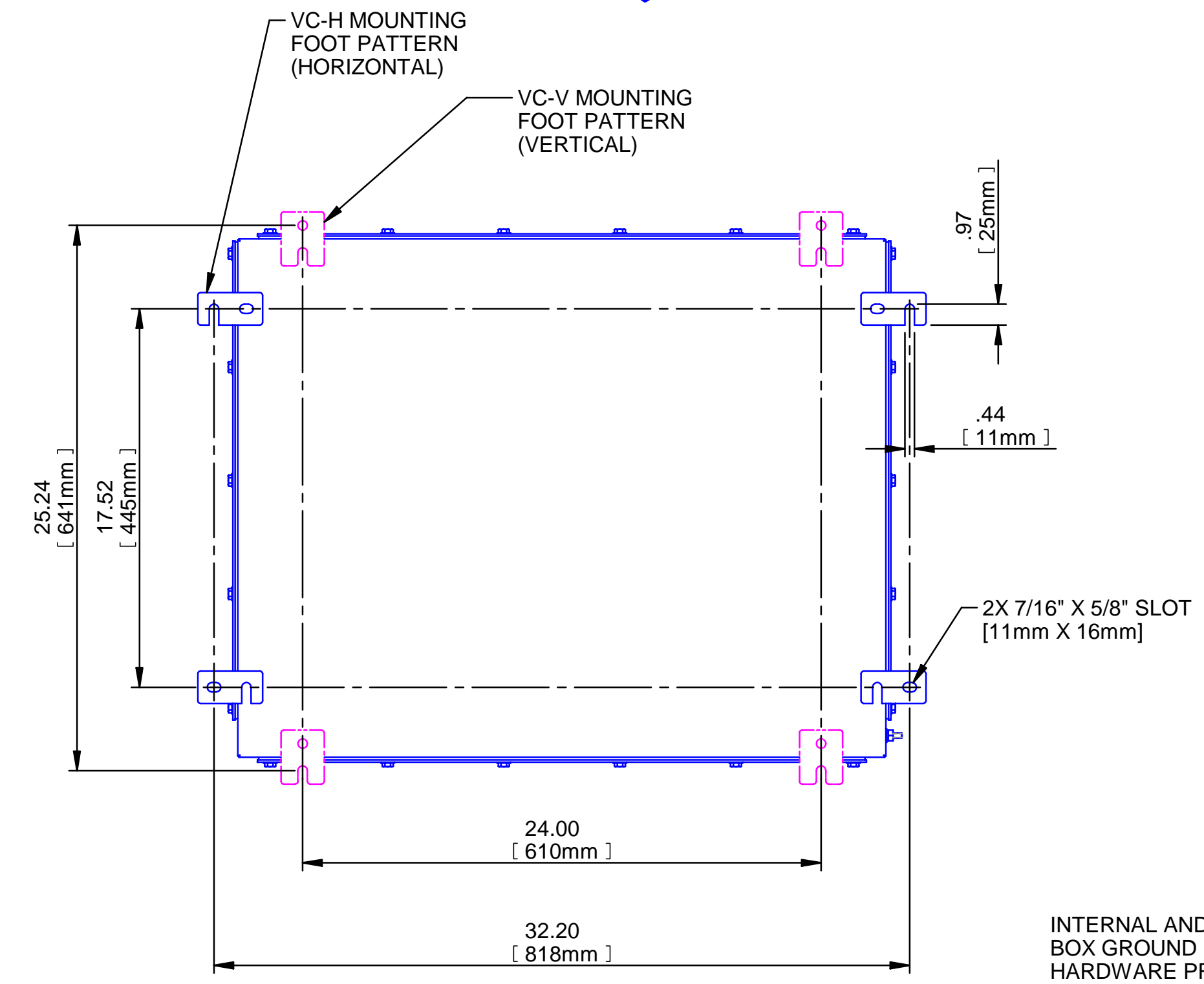
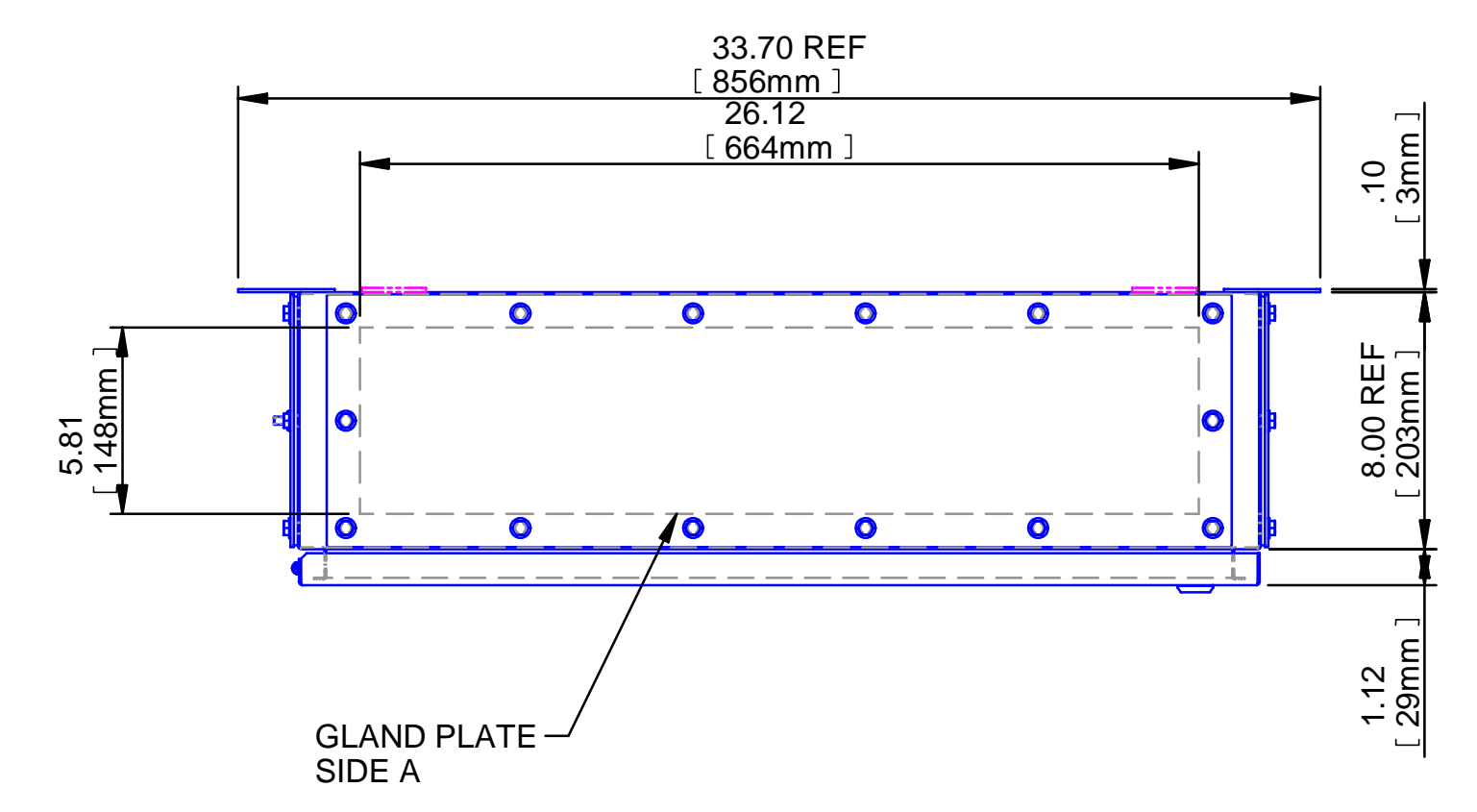
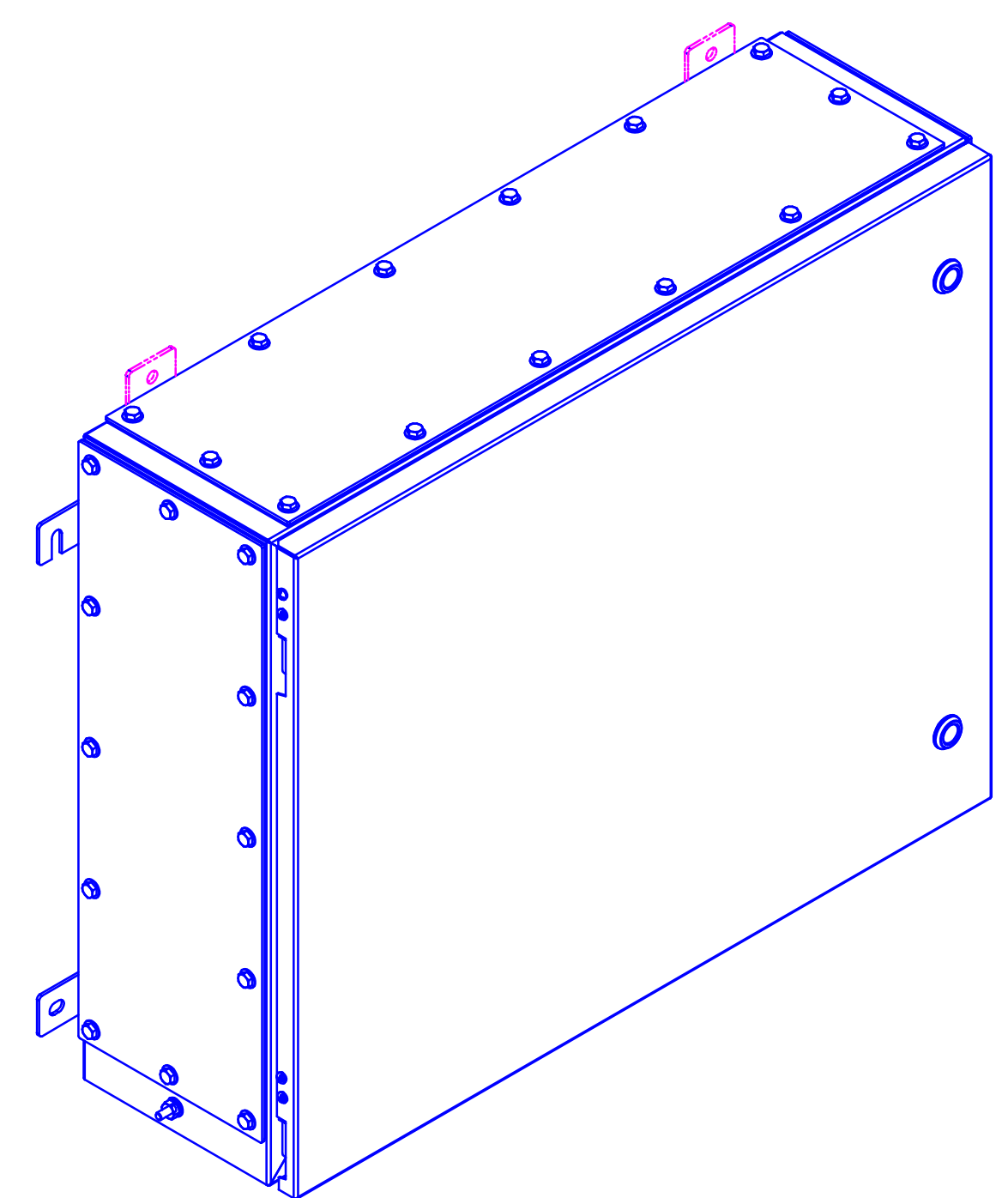


REV	REVISION	BY	ECN	DATE



UNCONTROLLED DRAWING  
(DATA SUBJECT TO CHANGE  
WITHOUT NOTICE)

**DO NOT REVISE THIS DWG. IN AUTOCAD  
3D GENERATED IN SOLID EDGE**

SECTION B-B

DO NOT SCALE DRAWING  
UNLESS OTHERWISE SPECIFIED  
DIMENSIONS ARE IN INCHES  
CAST TOLERANCES ON DIMENSIONS  
NOT OTHERWISE SPECIFIED:  
1/8" STOCK  
DRAFT 1:12  
FILLET OR CORNER RADI 1/8"  
FRAC ±1/16"  
ANGLES ±1°  
MACHINE TOLERANCES ON DIMEN-  
SIONS NOT OTHERWISE SPECIFIED:  
√ = 125 MIN  
XXX ± .010"  
FILLET RADI .03"  
EDGE BREAK .035"-.015" R. or 45°  
ANGLES ± 0°30'  
TAGGING FOR THREADED HOLES  
NOT OTHERWISE SPECIFIED:  
MFT E-21-2.6  
NPSM E-24-1.0

**ADALET**  
A SCOTT FETZER COMPANY  
Enclosure Systems • Cable Accessories  
Cleveland, OH 44135

NOTICE TO PERSONS RECEIVING THIS DRAWING:  
ADALET-PLM CLAIMS PROPRIETARY RIGHTS IN THE MATERIAL  
DISCLOSED HEREIN. THIS DRAWING IS ISSUED IN CONFIDENCE  
FOR ENGINEERING INFORMATION ONLY AND MAY NOT BE REPRODUCED  
OR USED TO MANUFACTURE ANYTHING SHOWN HEREON, WITHOUT  
DIRECT WRITTEN PERMISSION FROM ADALET-PLM TO THE USER.

MATERIAL  
FINISH  
CAT NO

TITLE		DATE	
VC-243008 INCREASED SAFETY ENCLOSURE CUSTOMER OUTLINE DRAWING		12/4/2008	
DRAWN BY	DMS	DATE	
ENG APPROVAL		PLOT SCALE	
MFG APPROVAL		DWG SIZE	D
DWG NO		SHT	
		REV	