

1

2

3

4

A

A

B

B

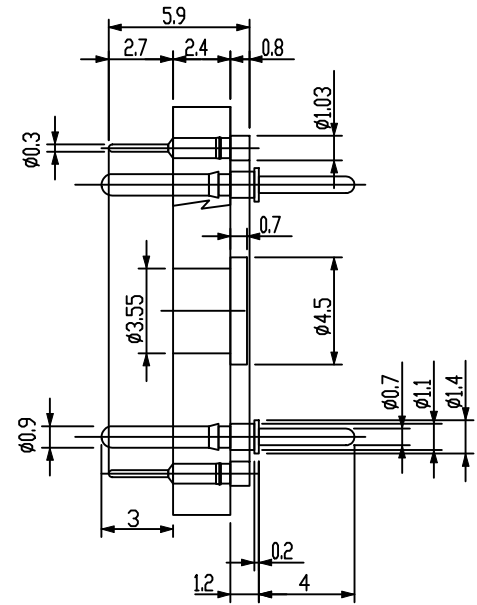
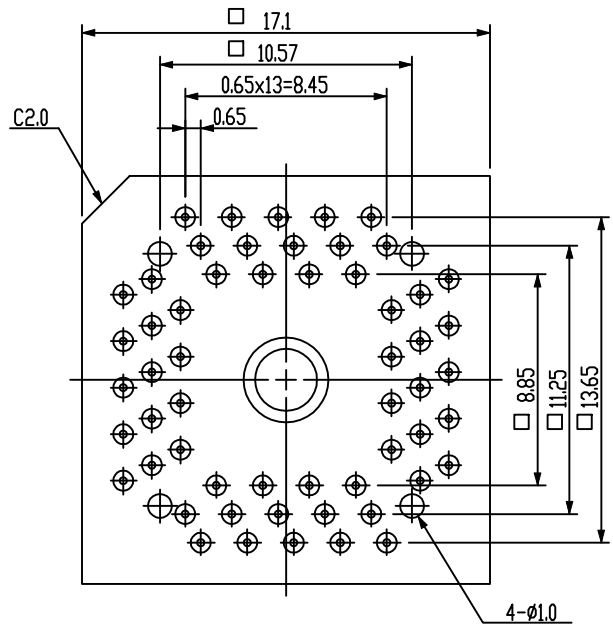
C

C

D


D

REVISIONS				
ZONE	REV	DESCRIPTION	DATE	APPROVED



IC package	Square
Pin count	56 Pin
Lead pitch	0.65mm

ALL DIMENSIONS ARE IN MILLIMETERS

 <a href="http://www.adapters.com">www.adapters.com</a>	<i>An Embedded Systems Solutions Company</i>		
	<b>DO NOT SCALE DRAWING</b>		
TEL:(408)855-8527 FAX:(408)855-8528	DESCRIPTION: <b>RECEP-TQ-056Q65-3mmGP-FSTNR</b>		REV
3024 Scott Blvd. Santa Clara, CA 95054	SIZE: <b>A</b> DATE: <b>2-15-02</b>	PART NO.: <b>000-2769</b>	CHECKED: <i>Eabor Kardos</i> DRAWN BY: <i>S. Barcellos</i>
SCALE <b>1:1</b>		SHEET 1 of 1	

1

2

3

4