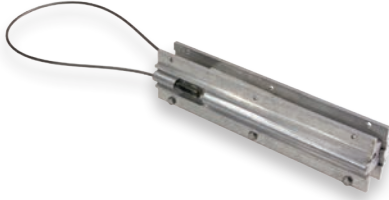


Wedge Dead End

(to be used only on Standard ADSS Cable up to 0.890" diameter, 144 fibers)

AFL offers wedge dead ends that ease and speed ADSS cable installation. The ADSS Wedge Dead End is ideal in crowded distribution environments because its shorter length allows for safer and efficient installation. The Wedge Dead End comes with all parts assembled. The side plates are properly aligned with spacers and self-locking hex bolts, as well as retainers. Lubricated wedges are pre-installed inside the body of the dead end.



ADEW10J1-AL535



ADEW16J1-AL693

Caution: The load ratings shown here are based on performance results of certain cable configurations and may not be representative of all manufacturers' ADSS cable designs. AFL strongly recommends that before using this product, you contact AFL to obtain the recommended load rating and to verify that the wedge dead end has been qualified for use with the proposed cable. AFL will perform a qualification test at no charge.

Specifications

PARAMETER	VALUE
Wedge Length	10" or 16" depending on cable characteristics
Cable O.D.	0.512" to 0.890" (13 mm to 22.6 mm)
Hold Strength	100% of Maximum Rated Cable Load (MRCL)
Maximum Attenuation Change	0.05 dB at 100% MRCL

Benefits

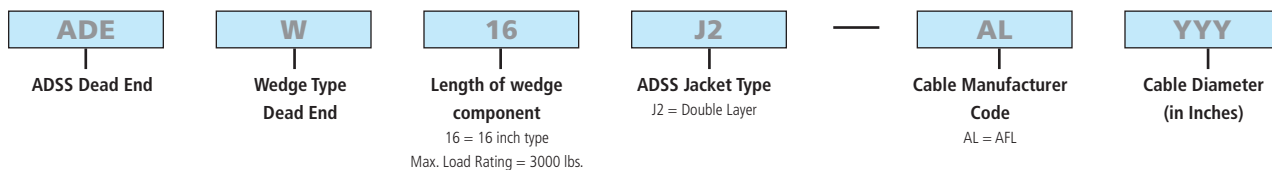
- Wedge-type design is safer than spiral wrap style dead ends
- Fewer parts, smaller and easier to store
- Attaches to structure via common pole hardware sold separately (thimble eye, ram's head, etc.)

Features

- Easier and faster installation
- Lower total system costs
- No special tools or hardware required for installation

APPLICATION & DESCRIPTION	AFL NO.
ADSS Mini-Span® 535 500 ft NESC heavy, 700 ft NESC medium, 875 ft NESC light Maximum loading capability is 1500 lbs.	ADEW10J1-AL535
ADSS Mini-Span 693 500 ft NESC heavy, 600 ft NESC medium, 750 ft NESC light Maximum loading capability is 1500 lbs.	ADEW16J1-AL693

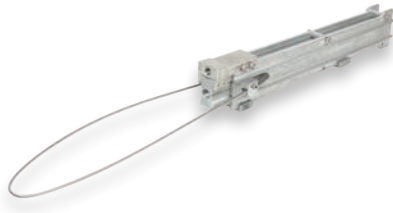
Ordering Information for Double Jacket Cables



Application Notes:

1. For use with ADSS cables with polyethylene jackets only. Not for use on track resistant ADSS cable.
2. AFL fiber optic cable and related hardware are designed to work as a system. Dead ends may not be available for cable from other manufacturers.

Temporary Grip

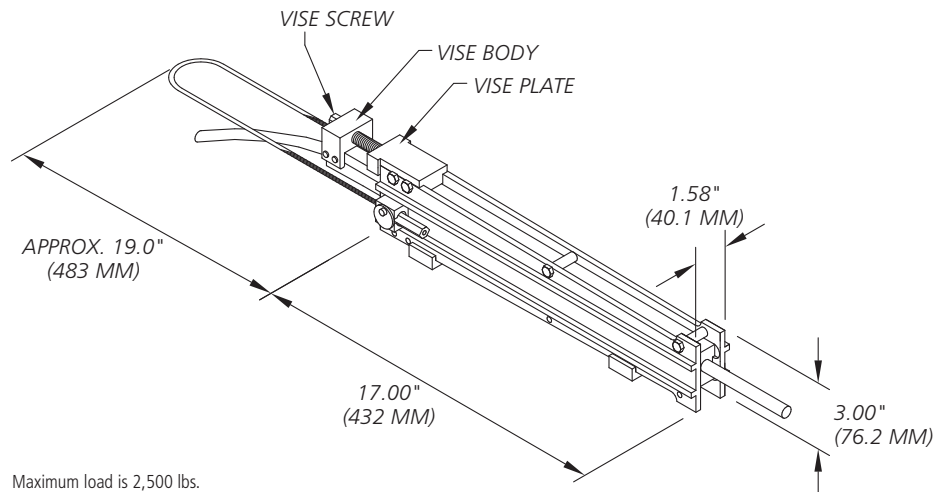


Temporary Grips are used in stringing the ADSS during sagging and where it is necessary to make short term catch on the ADSS.

The Temporary grip for ADSS is a high strength aluminum body designed to hold 2,500 pounds or 50% of MRCL of the cable.

Application Notes:

1. Mechanical Grip for Use with Polyethylene Outer Jackets Only



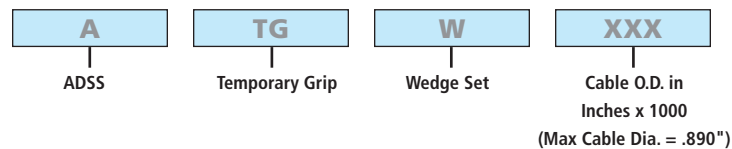
Maximum load is 2,500 lbs.

Thimble Clevis is included to attach temporary grip bail to chain hoist.

Ordering Information

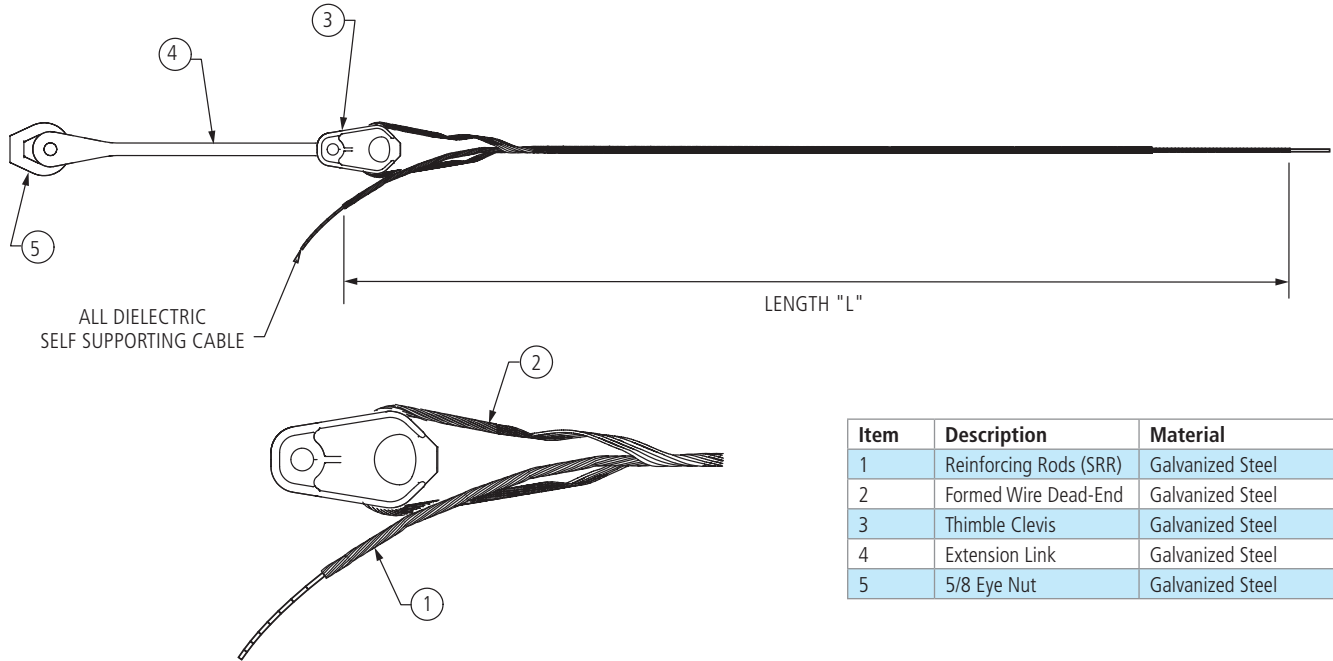


Ordering Information for Additional Wedges



CAUTION: The Temporary Grip is only to be used for AFL ADSS cables with standard polyethylene jackets with a maximum O.D. of .890 or less.

Limited Tension Formed Wire Dead End for ADSS Cable



Item	Description	Material
1	Reinforcing Rods (SRR)	Galvanized Steel
2	Formed Wire Dead-End	Galvanized Steel
3	Thimble Clevis	Galvanized Steel
4	Extension Link	Galvanized Steel
5	5/8 Eye Nut	Galvanized Steel

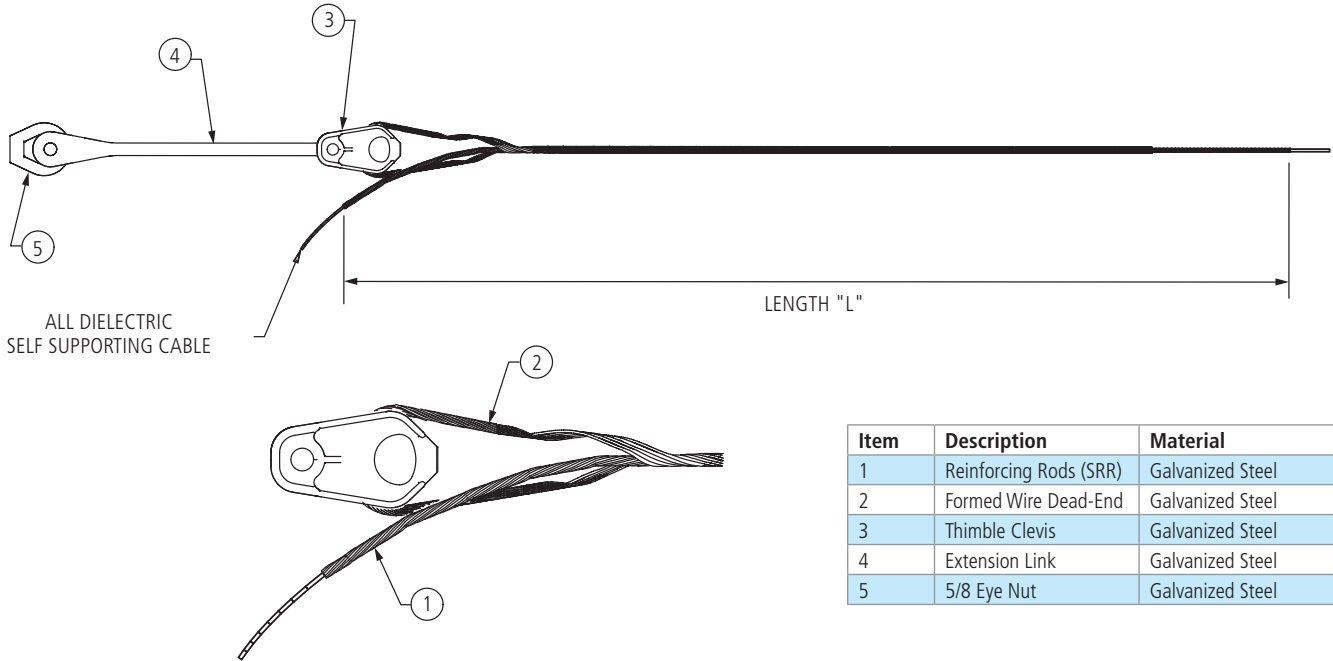
Features

- Components strength—15,000 lbs.
- Maximum initial tension—up to 1,000 lbs.
- Maximum loaded tension—up to 2,500 lbs.
- Dead end component cannot be reused
- Contact AFL for track-resistant ADSS application

Ordering Information

AFL NO.	CABLE OD (IN)	CABLE OD (MM)	LENGTH "L" IN (M)	COLOR CODE
ADESE400/424C	.400-.424	10.1-10.7	48 (1.2)	Black
ADESE425/451C	.425-.451	10.7-11.4	48 (1.2)	Yellow
ADESE452/481C	.452-.481	11.4-12.2	48 (1.2)	Green
ADESE482/510C	.482-.510	12.2-12.9	48 (1.2)	Orange
ADESE511/542C	.511-.542	12.9-13.7	48 (1.2)	Blue
ADESE543/577C	.543-.577	13.7-14.6	48 (1.2)	White
ADESE578/613C	.578-.613	14.6-15.5	48 (1.2)	Red
ADESE614/651C	.614-.651	15.5-16.5	48 (1.2)	Black
ADESE652/692C	.652-.692	16.6-17.5	48 (1.2)	Yellow
ADESE693/737C	.693-.737	17.5-18.7	48 (1.2)	Green
ADESE738/784C	.738-.784	18.7-19.9	48 (1.2)	Orange
ADESE785/834C	.785-.834	19.9-21.1	48 (1.2)	Blue
ADESE835/889C	.835-.889	21.2-21.5	48 (1.2)	White
ADESE890/945C	.890-.945	22.6-24.0	48 (1.2)	Red
ADESE946/1007C	.946-1.007	24.0-25.5	48 (1.2)	Black
ADESE1008/1073C	1.008-1.073	25.6-27.2	60 (1.5)	Yellow
ADESE1074/1140C	1.074-1.140	27.2-28.9	60 (1.5)	Green
ADESE1141/1212C	1.141-1.212	28.9-30.7	60 (1.5)	Orange
ADESE1213/1288C	1.213-1.288	30.8-32.5	60 (1.5)	Blue

Medium Tension Dead End for ADSS Cable



Item	Description	Material
1	Reinforcing Rods (SRR)	Galvanized Steel
2	Formed Wire Dead-End	Galvanized Steel
3	Thimble Clevis	Galvanized Steel
4	Extension Link	Galvanized Steel
5	5/8 Eye Nut	Galvanized Steel

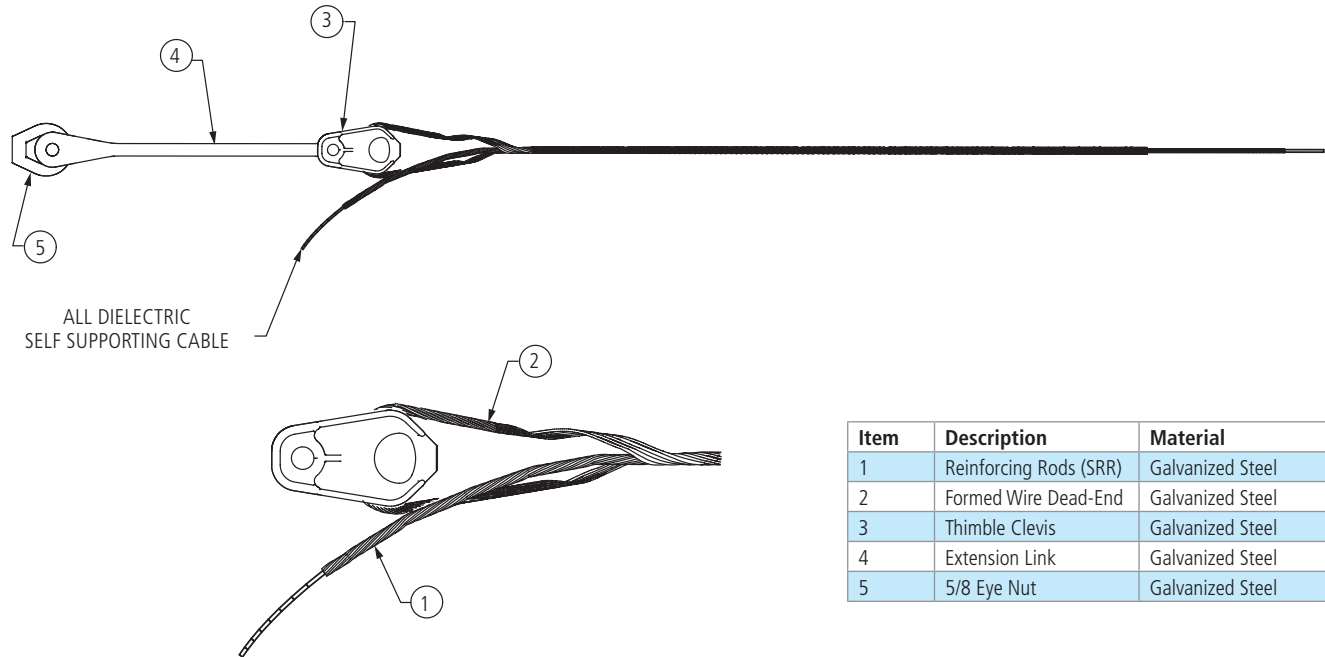
Features

- Component strength—15,000 lbs.
- Maximum initial tension—up to 2,000 lbs.
- Maximum loaded tension—up to 4,000 lbs.
- Dead end component cannot be reused
- Contact AFL for track-resistant ADSS application

Ordering Information

AFL NO.	CABLE OD (IN)	CABLE OD (MM)	LENGTH "L" IN (M)	COLOR CODE
ADEME482/510C	.482-.510	12.2–12.9	85(2.2)	Orange
ADEME511/542C	.511-.542	12.9–13.7	85(2.2)	Blue
ADEME543/577C	.543-.577	13.7–14.6	85(2.2)	White
ADEME578/613C	.578-.613	14.6–15.5	85(2.2)	Red
ADEME614/651C	.614-.651	15.5–16.5	85(2.2)	Black
ADEME652/692C	.652-.692	16.5–17.5	85(2.2)	Yellow
ADEME693/737C	.693-.737	17.6–18.7	85(2.2)	Green
ADEME738/784C	.738-.784	18.7–19.9	85(2.2)	Orange
ADEME785/834C	.785-.834	19.9–21.1	90(2.3)	Blue
ADEME835/889C	.835-.889	21.2–22.5	90(2.3)	White
ADEME890/945C	.890-.945	22.6–24.0	95(2.4)	Red
ADEME946/1007C	.946-1.007	24.0–25.5	95(2.4)	Black
ADEME1008/1073C	1.008-1.073	25.6–27.2	97(2.5)	Purple
ADEME1074/1140C	1.074-1.140	27.2–28.9	100(2.5)	Pink
ADEME1141/1212C	1.141-1.212	28.9–30.7	103(2.6)	Brown
ADEME1213/1288C	1.213-1.288	30.8–32.5	105(2.7)	Orange

Semi-High Tension Dead End for ADSS Cable



Item	Description	Material
1	Reinforcing Rods (SRR)	Galvanized Steel
2	Formed Wire Dead-End	Galvanized Steel
3	Thimble Clevis	Galvanized Steel
4	Extension Link	Galvanized Steel
5	5/8 Eye Nut	Galvanized Steel

Features

- Components strength—15,000 lbs.
- Maximum initial tension—up to 4,000 lbs.
- Maximum loaded tension—up to 7,500 lbs.
- Dead end component cannot be reused
- Contact AFL for Length Information and track-resistant ADSS application
- Lengths range from 100" to 134"

Ordering Information

AFL NO.	CABLE OD (IN)	CABLE OD (MM)	COLOR CODE
ADELE511/542C	.511-.542	12.9-13.7	Blue
ADELE543/577C	.543-.577	13.7-14.6	White
ADELE578/613C	.578-.613	14.6-15.5	Red
ADELE614/651C	.614-.651	15.5-16.5	Black
ADELE652/692C	.652-.692	16.5-17.5	Yellow
ADELE693/737C	.693-.737	17.6-18.7	Green
ADELE738/784C	.738-.784	18.7-19.9	Orange
ADELE785/834C	.785-.834	19.9-21.1	Blue
ADELE835/889C	.835-.889	21.2-22.5	White
ADELE890/945C	.890-.945	22.6-24.0	Red
ADELE946/1007C	.946-1.007	24.0-25.5	Black
ADELE1008/1073C	1.008-1.073	25.6-27.2	Purple
ADELE1074/1140C	1.074-1.140	27.2-28.9	Pink
ADELE1141/1212C	1.141-1.212	28.9-30.7	Brown
ADELE1213/1288C	1.213-1.288	30.8-32.5	Orange

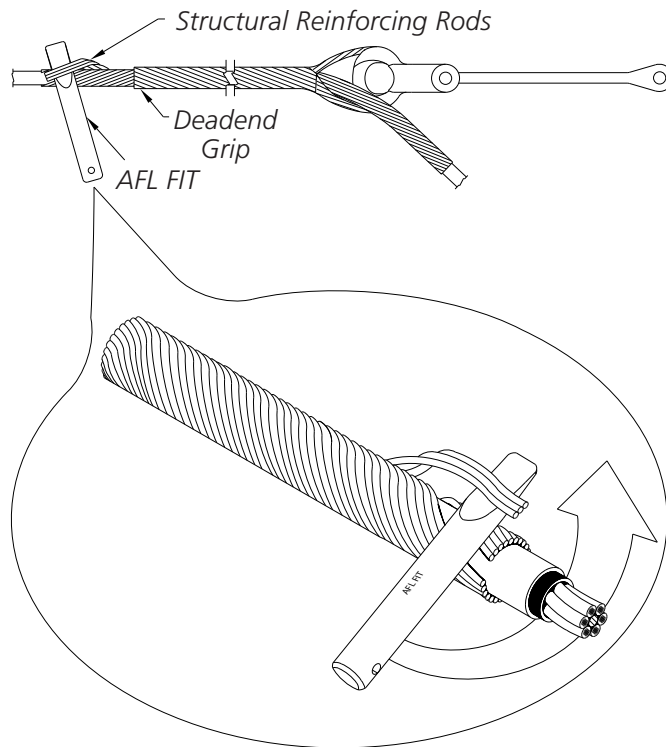


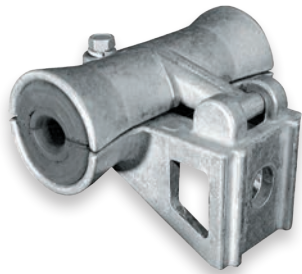
AFL FIT (Formed Wire Installation Tool)

The nonmetallic AFL Fit Tool is used to install formed wire components without damaging the cable. Use of metal instruments to aid in the installation of formed wire components can result in cable damage.

Ordering Information:

AFL NO.
AFL-FIT





Single Trunnion Cable Support



Double Trunnion Cable Support (closed)



Double Trunnion Cable Support (open)

Trunnion Assemblies— Single and Double Cables

AFL offers trunnions with various mounting capabilities: bolted, banded or standoff. Trunnions reduce installation costs by functioning as a pull-through during installation (maximum line angle for stringing is 15° total, 7.5° per side, number of structures not to exceed 30). No block or pulley is needed provided these conditions are met.

Features

- May be used as a pull-through by removing the bushing inserts
- Double cable supports option
- High-strength aluminum
- Smaller and more compact design
- Facilitates faster installation
- Color-coded range taking inserts for easy identification
- Versatile mounting styles to fit different structure types: bolted, banded or standoff
- Banding and pole hardware supplied by customer
- Lowers the total cost of installation
- Span Length: 600 ft.—NESC Heavy
1,200 ft.—NESC Light

Ordering Information—Single Cable Support

CABLE O.D. RANGE		ESTIMATED WEIGHT		BUSHING COLOR	AFL NO.
INCHES	MILLIMETERS	LBS	KG		
0.420" - 0.474"	10.67 - 12.05	2.05	.930	Black	ATGN420/474
0.475" - 0.525"	12.07 - 13.34	2.05	.930	Blue	ATGN475/525
0.526" - 0.575"	13.36 - 14.61	2.05	.930	Orange	ATGN526/575
0.576" - 0.625"	14.63 - 15.88	2.04	.925	Brown	ATGN576/625
0.626" - 0.675"	15.90 - 17.15	2.04	.925	Green	ATGN626/675
0.676" - 0.725"	17.17 - 18.42	2.03	.921	White	ATGN676/725
0.726" - 0.775"	18.44 - 19.69	2.03	.921	Red	ATGN726/775
0.776" - 0.825"	19.71 - 20.96	2.02	.916	Purple	ATGN776/825
0.826" - 0.875"	20.98 - 22.23	2.02	.916	Yellow	ATGN826/875
0.876" - 0.925"	22.25 - 23.50	2.02	.916	Pink	ATGN876/925

Application Notes:

1. For use with ADSS cables with polyethylene jackets only. Not for use on track resistant ADSS cable.
2. As a stringing block:
Maximum line angle = 15° (7.5° per side)
Maximum number of structures = 30
3. For final installation:
Maximum line angle = 22° (11° per side)

continued
→

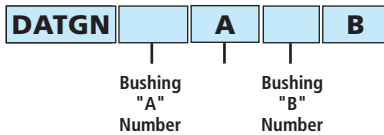
Trunnion Assemblies (cont.)

Ordering Information—Double Tangent Support

BUSHING NUMBER		CABLE O.D. RANGE		BUSHING COLOR CODE	MAXIMUM SPAN CAPABILITIES USING NESC LOADS IN FEET/INCHES	ESTIMATED WEIGHT	
"A"	"B"	INCHES	MM			HEAVY	LBS
420	420	.420-.474	10.67-12.04	Black	600/182.9	2.05	.930
475	475	.475-.525	12.07-13.34	Blue	600/182.9	2.05	.930
526	526	.526-.575	13.36-14.61	Orange	600/182.9	2.05	.930
576	576	.576-.625	14.63-15.88	Brown	600/182.9	2.04	.925
626	626	.626-.675	15.90-17.15	Green	600/182.9	2.04	.925
676	676	.676-.725	17.17-18.42	White	600/182.9	2.03	.921
726	726	.726-.775	18.44-19.69	Red	600/182.9	2.03	.921
776	776	.776-.825	19.71-20.96	Purple	600/182.9	2.02	.916
826	826	.826-.875	20.98-22.23	Yellow	600/182.9	2.02	.916
876	876	.876-.925	22.25-23.50	Pink	500/152.4	2.02	.916
926	926	.926-.959	23.52-24.36	Blue + White	CONTACT AFL	2.02	.916
960	960	.960-1.045	24.38-26.54	Gray	CONTACT AFL	2.02	.916

How to Order

Order by assembling part number as shown:



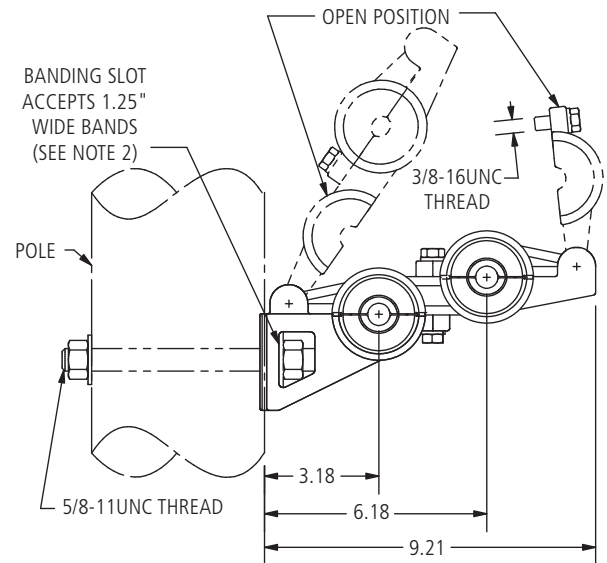
Reference table above. See Note 1 below.

Example:

- First cable 0.500" OD → Bushing "A" number = 475
- Second cable 0.750" OD → Bushing "B" number = 726
- Order by part number: DATGN475A726B

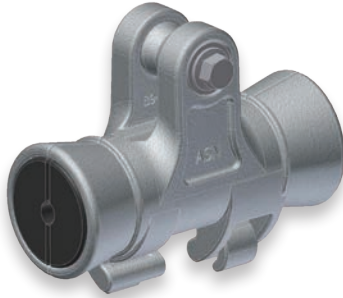
Notes:

1. Bushing "A" and "B" may be the same or different.
2. Stainless steel banding to be supplied by customer.



ADSS Suspension Unit

AFL's ADSS suspension unit is used to provide long term performance for spans up to 1200 feet (see span rating below). The interlocking halves of the aluminum body clamp provides positive alignment and utilize our proven EDPM bushings to gently grip the cable. The 3/8" mounting bolt is held captive by an o-ring. This product cannot be used as a stringing device.



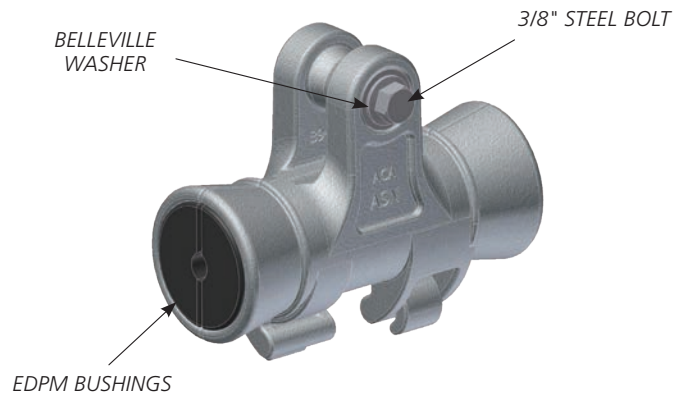
NOTE: correct orientation of bushing shown above.

Specifications

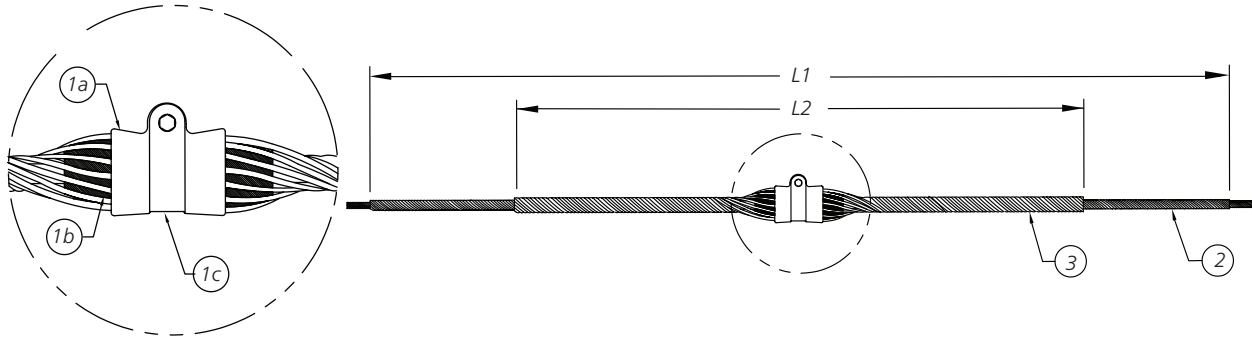
PARAMETER	VALUE
Span Length Rating	600 feet (200 meters) NESC Heavy 900 feet (274 meters) NESC Medium 1200 feet (365 meters) NESC Light
Vertical Load Rating	5000 lbs
Torque Requirement	Mounting bolt should be tightened to 25 ft-lb
Mounting Hardware	5/8" oval eye nut and anchor shackle (both parts not shown) can be included in the assembly by adding the suffix "AS01" to the part number
Line Angle	Max line angle is 30 degrees
Cable Types Recommended	For use on standard polyethylene jackets only DO NOT USE on track resistant cables
Slip Strength	Contact AFL for specific slip strength requirements

Ordering Information

AFL NO.	CABLE RANGE		WEIGHT		BRUSHING COLOR
	INCHES	MM	LBS	KG	
ASN420/474	0.420 - 0.474	10.7 - 12.0	2.2	1.0	Black
ASN475/525	0.475 - 0.525	12.1 - 13.3			Blue
ASN526/575	0.526 - 0.575	13.4 - 14.6			Orange
ASN576/625	0.576 - 0.625	14.6 - 15.9			Brown
ASN626/675	0.626 - 0.675	15.9 - 17.1			Green
ASN676/725	0.676 - 0.725	17.2 - 18.4			White
ASN726/775	0.726 - 0.775	18.4 - 19.7			Red
ASN776/825	0.776 - 0.825	19.7 - 21.0			Purple
ASN826/875	0.826 - 0.875	21.0 - 22.2			Yellow
ASN876/925	0.876 - 0.925	22.3 - 23.5			Pink
ASN926/959	0.926 - 0.959	23.5 - 24.4			—
ASN960/1045	0.960 - 1.045	24.4 - 26.5			Gray



Formed Wire Suspension for ADSS Cable



Features

- For line or elevation angle changes less than 30°
- Max vertical load—20,000 lbs.

Item	Description	Material
1a,c	Suspension Housing	Aluminum Alloy
1b	Insert (2 Halves)	Elastomer
2	Reinforcing Rods (SRR)	Aluminum Alloy
3	Outer Support Rods	Aluminum Alloy

Ordering Information

CABLE O.D. RANGE	STRUCTURAL REINFORCEMENT RODS				OUTER RODS				AFL NO.
	LENGTH "L1" (INCHES)	ROD DIA. (INCHES)	RODS PER SET	COLOR CODE	LENGTH "L2" (INCHES)	ROD DIA. (INCHES)	RODS PER SET	COLOR CODE	
0.399" - 0.418"	80	.146	10	Yellow	42	.204	11	Yellow	ASU399/418
0.419" - 0.439"	80	.146	10	Black	42	.204	11	Black	ASU419/439
0.440" - 0.458"	81	.146	11	White	43	.204	11	White	ASU440/458
0.459" - 0.461"	84	.167	10	Purple	46	.250	10	Orange	ASU459/461
0.462" - 0.476"	84	.167	10	Purple	46	.250	10	Purple	ASU462/476
0.477" - 0.503"	84	.146	12	Orange	46	.250	10	Orange	ASU477/503
0.504" - 0.511"	84	.146	12	Red	46	.250	10	Purple	ASU504/511
0.512" - 0.536"	87	.167	11	Blue	49	.250	11	Blue	ASU512/536
0.537" - 0.559"	87	.167	11	Green	49	.250	11	Green	ASU537/559
0.560" - 0.565"	87	.167	11	Green	49	.250	11	Green	ASU560/565
0.566" - 0.573"	92	.182	11	Black	54	.250	12	Black	ASU566/573
0.574" - 0.598"	92	.182	11	Black	54	.250	12	White	ASU574/598
0.599" - 0.625"	92	.182	12	Brown	54	.310	12	Brown	ASU599/625
0.626" - 0.632"	102	.204	11	Red	63	.310	11	Red	ASU626/632
0.633" - 0.666"	102	.204	11	Red	63	.310	11	Blue	ASU633/666
0.667" - 0.682"	102	.204	12	Yellow	63	.310	11	Green	ASU667/682
0.683" - 0.710"	102	.204	12	Yellow	63	.310	11	Yellow	ASU683/710
0.711" - 0.728"	102	.204	12	White	63	.310	12	Black	ASU711/728
0.729" - 0.744"	102	.204	12	White	63	.310	12	White	ASU729/744
0.745" - 0.750"	102	.204	12	White	63	.310	12	White	ASU745/750
0.751" - 0.786"	102	.204	13	White	63	.310	12	Brown	ASU751/786
0.787" - 0.814"	111	.250	11	Green	72	.365	11	Green	ASU787/814
0.815" - 0.845"	111	.250	12	Yellow	72	.365	11	Yellow	ASU815/845
0.846" - 0.855"	111	.250	12	Green	72	.365	12	Blue	ASU846/855
0.856" - 0.894"	119	.250	12	Black	80	.365	12	Black	ASU856/894
0.895" - 0.907"	119	.250	12	White	80	.365	12	White	ASU895/907
0.908" - 0.916"	119	.250	13	Purple	80	.365	12	Purple	ASU908/916
0.917" - 0.929"	119	.250	13	Brown	80	.365	12	Brown	ASU917/929
0.930" - 0.942"	119	.250	13	Red	80	.365	12	Red	ASU930/942
0.943" - 0.977"	119	.250	13	Orange	80	.365	13	Orange	ASU943/977



Download Clamp shown with Adapter B

Download Clamp for ADSS (with or without Unequal Diameters)

AFL Download Clamps are used to guide ADSS wire from the top of the structure to the splice box. Our clamps install easily and provide proper spacing and hold strength without damage to the cable. From poles to towers, we offer a full line of ADSS Download Clamps to meet the needs of any application.

Features

- Slip strength: >100 lbs.
- Lattice adapters provided with break-away bolts for precise torque during installation
- Steel tower guide clamps available with adapters to eliminate the need for drilling
- Banding adapters available

Ordering Information – Download Clamp & Adapter

BUSHING DESIGNATION	DIAMETER (INCHES)	COLOR CODE
B4	0.350 - 0.500	red
B5	0.501 - 0.600	green
B6	0.601 - 0.700	yellow
B7	0.701 - 0.800	blue
B8	0.801 - 0.900	white
B9	0.901 - 1.000	black
B10	1.001 - 1.100	orange

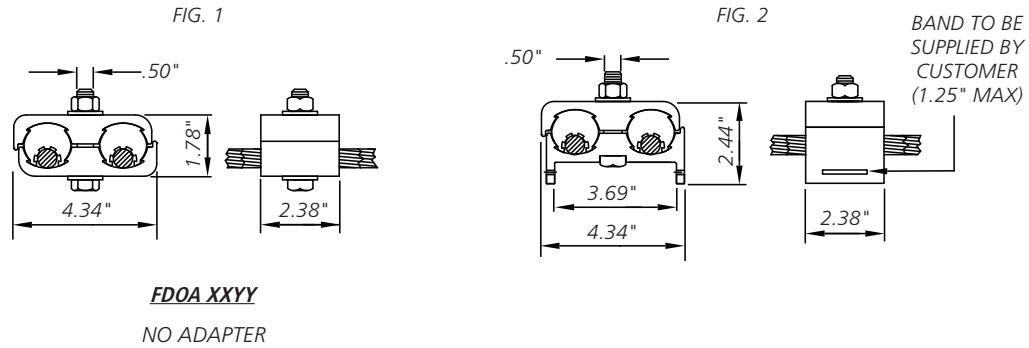
FD	OA	XX	YY	Z	M
Fiber Download	OPGW and ADSS	Bushing Designation (Smaller Dia.)	Bushing Designation (Larger Dia.)	Indicates Adapters	M for Metric Hardware
				A = Banding Adapter B = Lattice Adapter for web thickness .25" - .72" C = Lattice Adapter for web thickness .72" - 1.25" D = 3/8" diameter x 4" lag bolt E = Lattice Adapter for web thickness .25" - 1.25" Omit = No adapter desired	

Ordering Example: For .528" dia. OPGW and .484 ADSS with pole banding (Type A), the part number is FDOA-B4B5A.

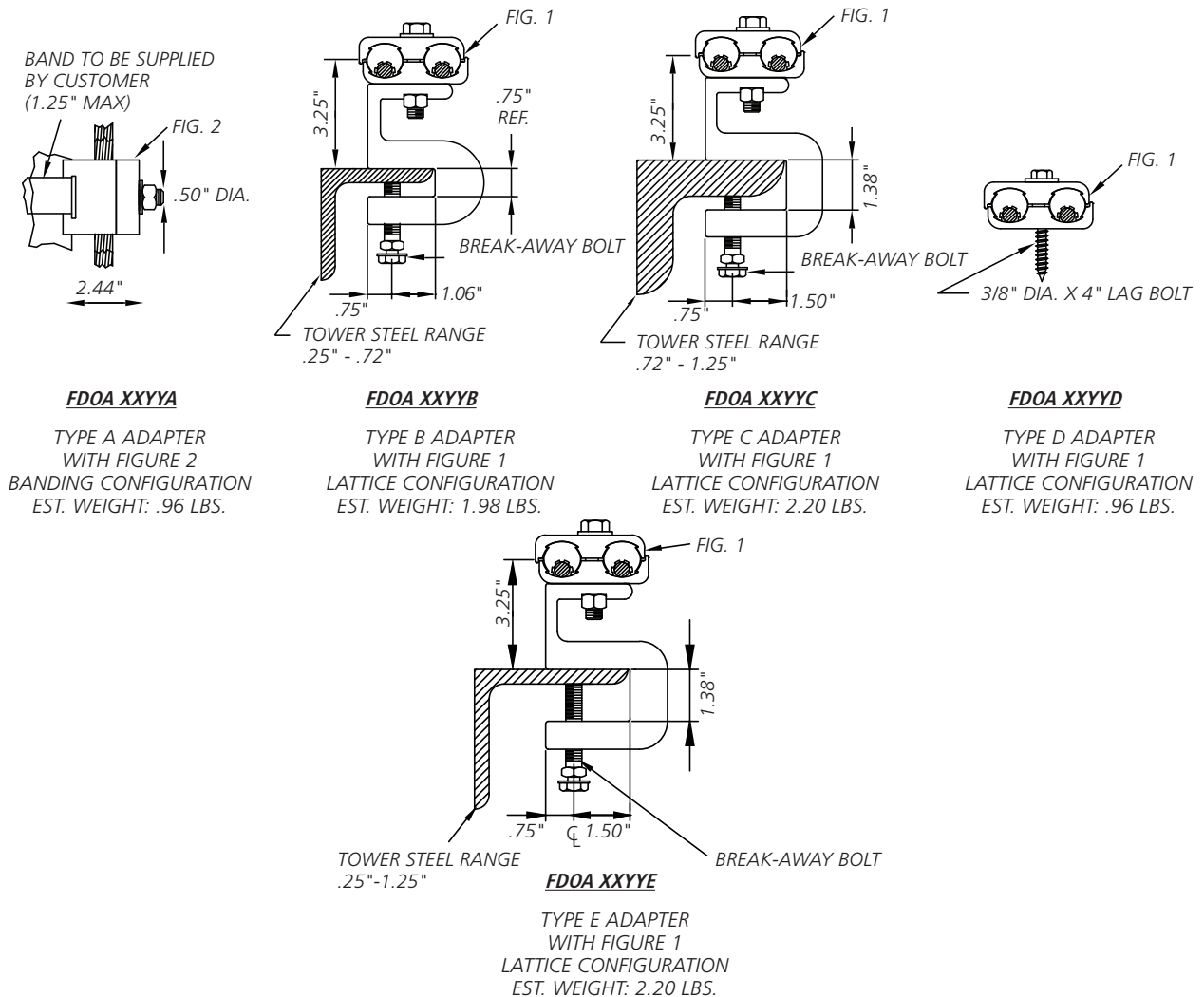
- NOTES:**
1. If metric hardware is desired, add a "M" suffix to the end.
 2. See next page for optional download clamp adapters.

Download Clamp and Optional Download Clamp Adapters

Dimensions

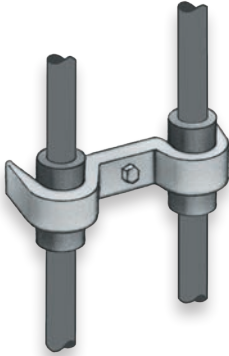


Download Clamp Adapters



Wood Pole Guide Clamp for ADSS Cable

Guide clamps are typically two groove clamps used to guide the cable to splice locations. Clamps are spaced 5 to 8 feet apart to help maintain alignment of the cable down the towers or poles. The clamps may be bolted to the tower or poles or adaptors, and can be supplied for the steel towers, steel poles and concrete poles.



Wood Pole Clamp

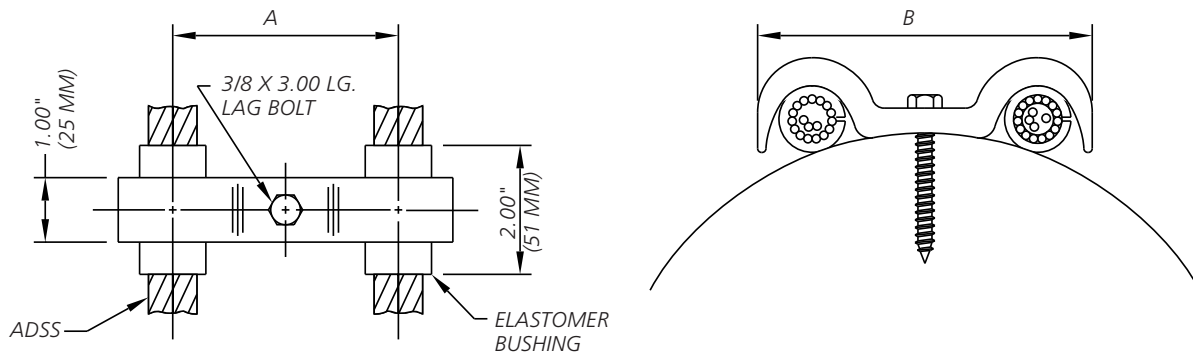
Ordering Information – Wood Pole Clamp

(Note: not available with metric hardware; 3/8" x 3" lag bolt included)

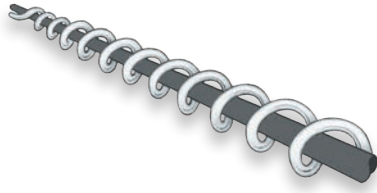
ADSS DIAMETER - IN. (MM)	DIMENSIONS - IN. (MM)		WEIGHT - LBS. (KG)	AFL NO.
	A	B		
0.182 - 0.274 (4.6 - 7.0)	2.81 (71)	4.25 (108)	.33 (.15)	AGW182/274
0.275 - 0.376 (7.0 - 9.6)	2.81 (71)	4.25 (108)	.33 (.15)	AGW275/376
0.377 - 0.468 (9.6 - 11.9)	2.81 (71)	4.25 (108)	.33 (.15)	AGW377/468
0.469 - 0.561 (11.9 - 14.2)	2.81 (71)	4.25 (108)	.33 (.15)	AGW469/561
0.562 - 0.655 (14.3 - 16.6)	3.50 (89)	5.19 (132)	.46 (.21)	AGW562/655
0.656 - 0.750 (16.7 - 19.1)	3.50 (89)	5.19 (132)	.46 (.21)	AGW656/750

Ordering Example:

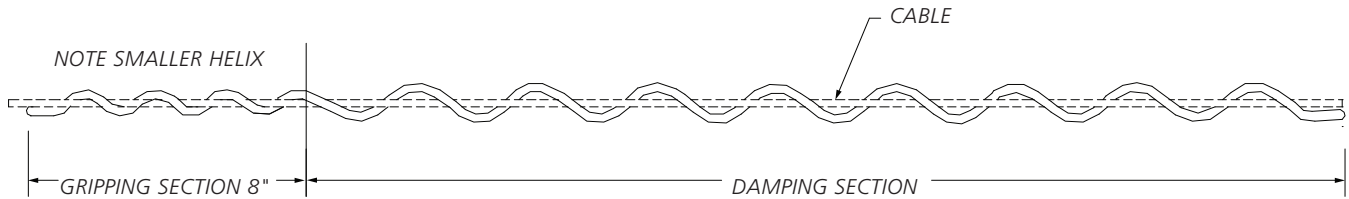
For .512" diameter ADSS, the part number is AWG 469/561



Spiral Vibration Damper for ADSS or OPGW Cable



Spiral Vibration Dampers have a helically formed damping section sized for interplay of damper and cable to provide the action/reaction motion that opposed the natural vibration wave. A smaller gripping section gently grips the cable so that cable and fiber are not damaged or distorted and there is no optical signal loss. These PVC Spiral dampers are recommended for the ADSS cable when the combination of span length and tension indicate by vibration review that external vibration protection is required.



Optical Ground Wire Spiral Vibration Damper

AFL NO.	DIAMETER RANGE		TOTAL LENGTH INCH (M)
	INCHES	MM	
OSVD327/461	.327-.461	8.3-11.6	51 (1.3)
OSVD462/563	.462-.563	11.7-14.3	53 (1.3)
OSVD564/760	.564-.760	14.4-19.3	61 (1.5)

ADSS Spiral Vibration Damper

AFL NO.	DIAMETER RANGE		TOTAL LENGTH INCH (M)
	INCHES	MM	
AVD250/326	.250-.326	6.3-8.2	49 (1.24)
AVD327/461	.327-.461	8.3-11.6	51 (1.30)
AVD462/563	.462-.563	11.7-14.3	53 (1.35)
AVD564/770	.564-.770	14.4-19.5	65 (1.65)
AVD771/876	.771-.876	19.5-22.2	71 (1.80)
AVD877/1000	.877-1.00	22.3-25.3	72 (1.91)
AVD1001/1250	1.001-1.25	25.4-30.5	75 (2.29)

NOTE: OPGW and ADSS Spiral Vibration Dampers are not interchangeable.

Fiber Storage Units for ADSS Fiber Optic Cable



AFL Fiber Storage Units (FSU) are used to conveniently store an extra length of cable along the ADSS cable run for later use. Furnished as pairs (kit contains two Fiber Storage Units and two sets of hanger brackets), these FSUs are constructed from UV stabilized PPE thermoplastic. All basic hardware for attachment to the ADSS cable is provided. ADSS cable mount support brackets meet Telcordia® specifications. Epoxy coated clamping devices meet ASTM specifications A153 and B695.

Features

- Small profile and side facing channel minimizes ice and leaf loading
- Constructed from UV stabilized PPE thermoplastic
- Basic hanging hardware (bolts, nuts, washers) and strand clamps all included
- Tie-wrap slots for securing cable
- Epoxy-coated strand clamps

The mounting bracket features an angled, tent-profile, epoxy-coated bracket for standard ADSS cable mounting.

Specifications

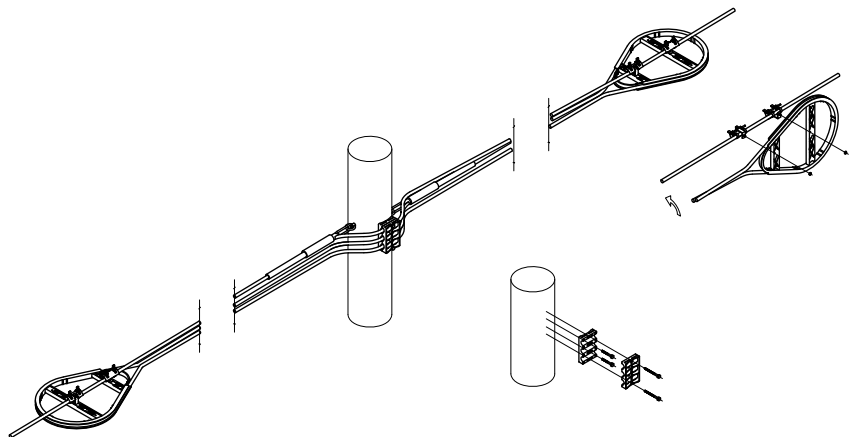
PARAMETER	FOSDA12ADSS	FOS17ADSS
Nominal Channel Width - in. (cm)	0.625	1.00
Minimum Bend Diameter - in. (cm)	12	17.5

Ordering Information

DESCRIPTION	FOSDA12ADSS	FOS17ADSS
FOS ADSS Kit	FA000049	FA000050

Kits contain one pair of FOSP and two sets of hanger brackets.

Typical Installation Diagram



Telcordia is a registered trademark of Telcordia Technologies, Inc.

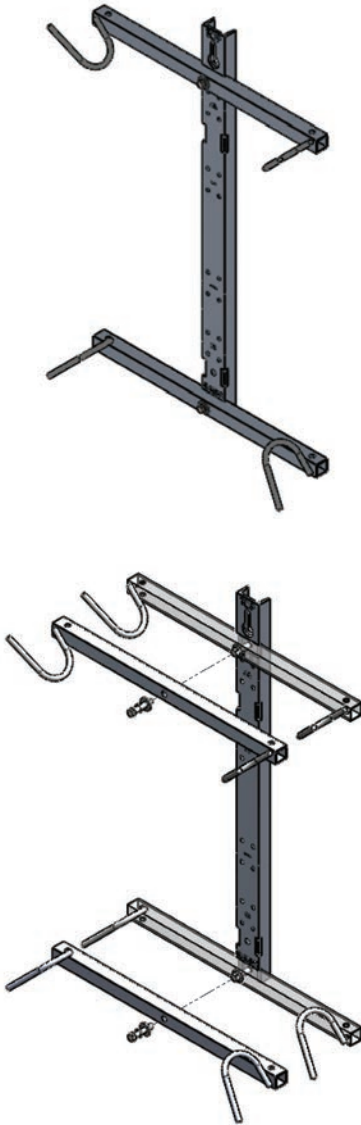
ADSS Coil Storage Bracket for LG Series Sealed Splice Closures

Features

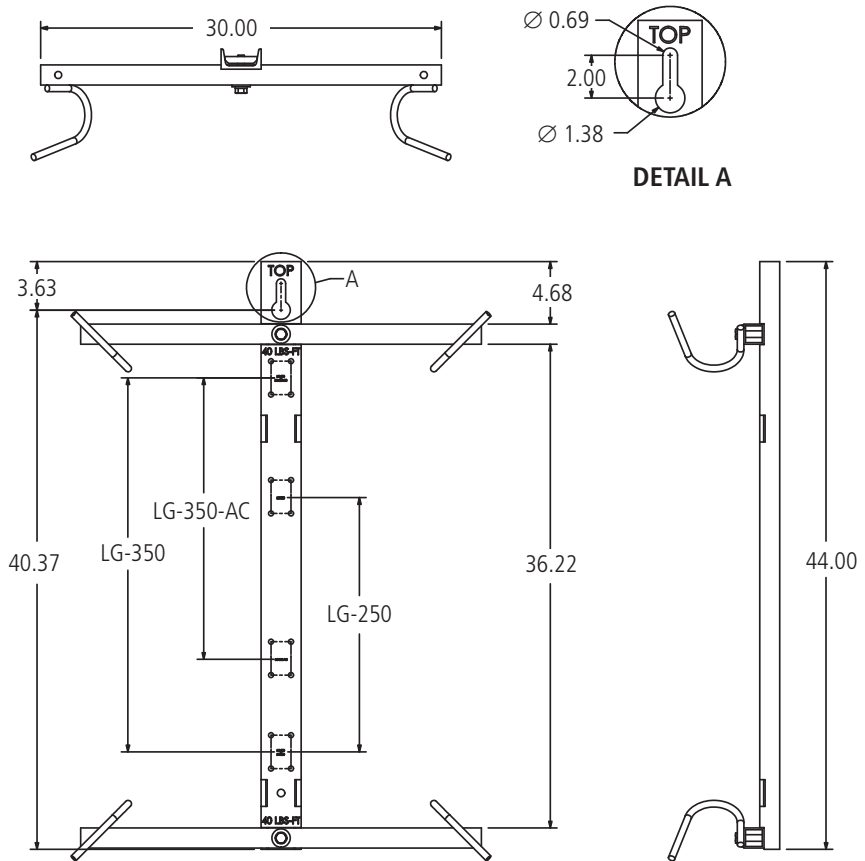
- Stores up to 80 ft. total length of AFL-ADSS® cable
- Aluminum Material
- For use with AFL's LG-250, LG-350 and LG-350-AC sealed splice closures
- Shipped in three pieces and requires field assembly
- Can be bolted or banded to structure

Ordering Information

MODEL	AFL NO.
CB-30-3AL ADSS Coil Storage Bracket for LG Series Sealed Splice Closures	CB-30-3AL



Installation Diagram



Corona Ring for ADSS Cable



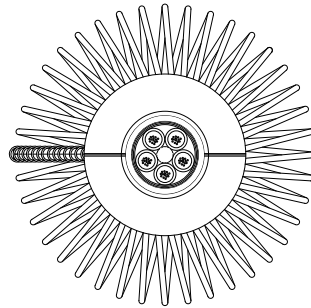
Corona Ring

Ordering Information

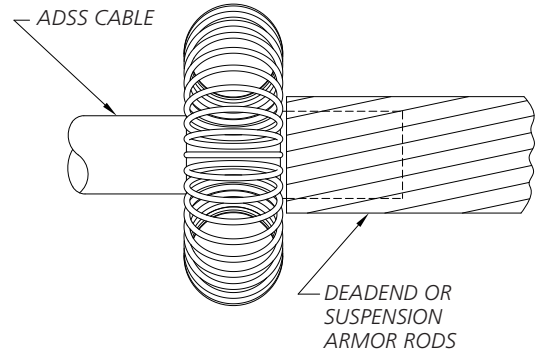
A	CR	XXX
ADSS CABLE	Corona Ring	Cable Diameter in Decimal Inches

Ordering Example:

For a .685" diameter ADSS, the AFL number is ACR685



CORONA RING ASSEMBLY



Note: Corona coil clamp component should be installed under the rods of the dead end or suspension.