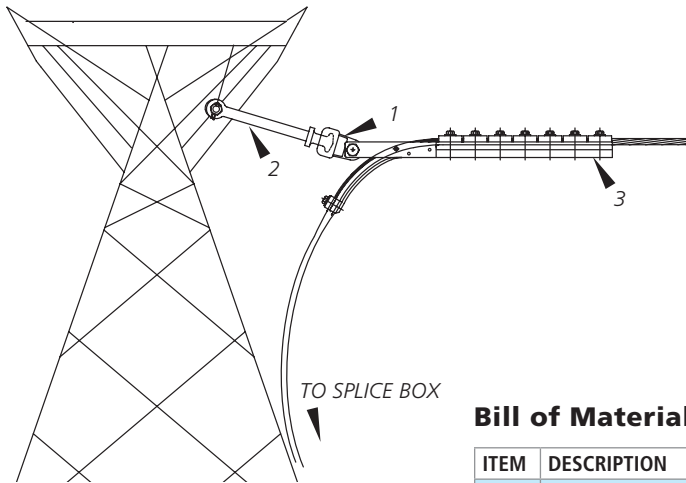


OPGW Single Dead End Lattice Tower Configuration Assemblies

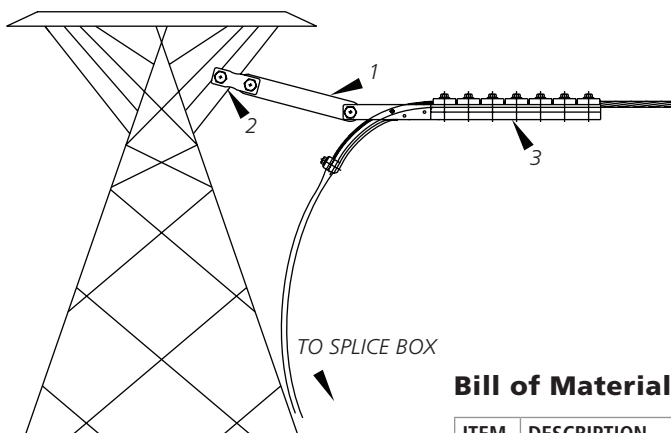


AFL NO.

OLTDE1 - **DNOXXXX**
 Assembly Code Cable Spec. Number

Bill of Material

ITEM	DESCRIPTION	MATERIAL	AFL OR DWG. NO.	REQ'D	REMARKS
1	Socket Eye	Galvanized Steel	SE-BDE	1	
2	Y-Clevis Ball Hot Link	Galvanized Steel	YCBHL	1	Pin Dia. = 0.75" (19 mm)
3	Bolted Dead End (Included)	Aluminum	Determined by AFL	1	



AFL NO.

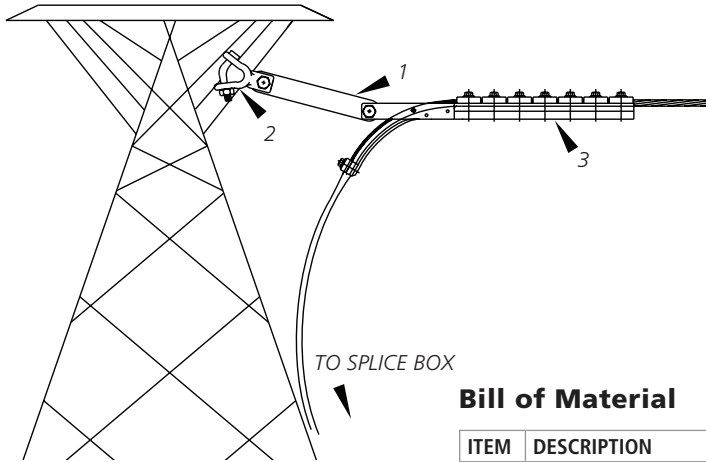
OLTDE2 - **DNOXXXX**
 Assembly Code Cable Spec. Number

Bill of Material

ITEM	DESCRIPTION	MATERIAL	AFL OR DWG. NO.	REQ'D	REMARKS
1	Link Plate	Aluminum	ODELP10	1	
2	Y-Clevis Clevis	Galvanized Steel	YCC	1	Pin Dia. = 0.75" (19 mm)
3	Bolted Dead End (Included)	Aluminum	Determined by AFL	1	

Accessories enlarged for clarity

OPGW Single Dead End Lattice Tower Configuration Assemblies (cont.)



AFL NO.

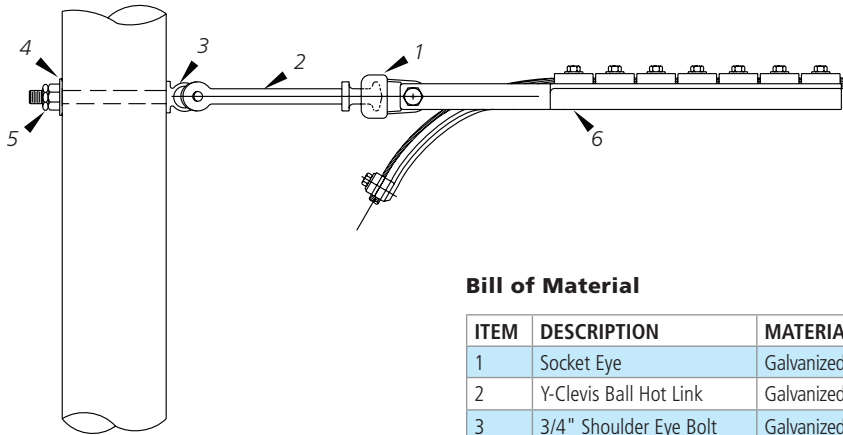
OLTDE3 - **DNOXXXX**
 Assembly Code Cable Spec. Number

Bill of Material

ITEM	DESCRIPTION	MATERIAL	AFL OR DWG. NO.	REQ'D	REMARKS
1	Link Plate	Aluminum	ODELP10	1	
2	Y-Clevis Clevis 90	Galvanized Steel	YCC-90	1	Pin Dia. = 0.75" (19 mm)
3	Bolted Dead End (Included)	Aluminum	Determined by AFL	1	

Accessories enlarged for clarity

OPGW Single Dead End Wood Pole/H-Frame Configuration Assemblies



AFL NO.

OWPDE1

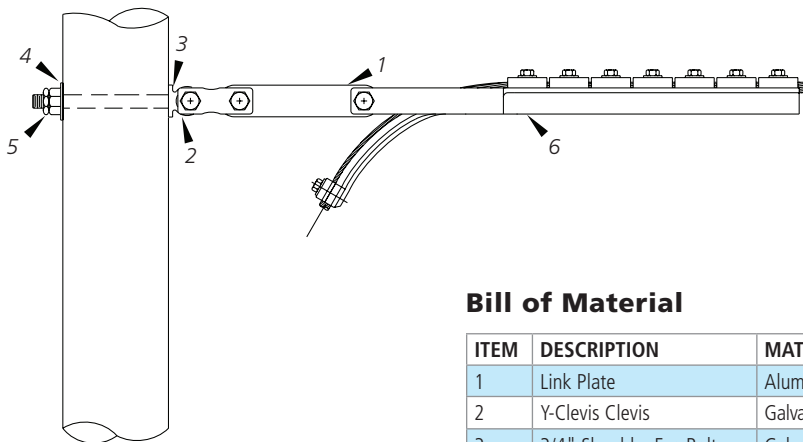
Assembly Code

DNOXXXX

Cable Spec. Number

Bill of Material

ITEM	DESCRIPTION	MATERIAL	AFL OR DWG. NO.	REQ'D	REMARKS
1	Socket Eye	Galvanized Steel	SE-BDE	1	
2	Y-Clevis Ball Hot Link	Galvanized Steel	YCBHL	1	Pin Dia. = 0.75" (19 mm)
3	3/4" Shoulder Eye Bolt	Galvanized Steel	SEB-3/4-14	1	Length = 14"
4	3/4" Washer Nut	Galvanized Steel	WN-3/4	1	
5	3/4" MF Lock Nut	Galvanized Steel	LN-3/4	1	
6	Bolted Deadend (Included)	Aluminum	Determined by AFL	1	



AFL NO.

OWPDE2

Assembly Code

DNOXXXX

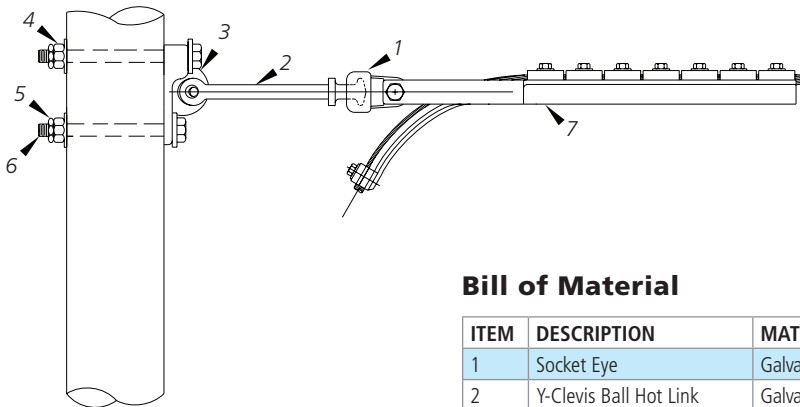
Cable Spec. Number

Bill of Material

ITEM	DESCRIPTION	MATERIAL	AFL OR DWG. NO.	REQ'D	REMARKS
1	Link Plate	Aluminum	ODELP10	1	
2	Y-Clevis Clevis	Galvanized Steel	YCC	1	Pin Dia. = 0.75" (19 mm)
3	3/4" Shoulder Eye Bolt	Galvanized Steel	SEB-3/4-14	1	Length = 14"
4	3/4" Washer Nut	Galvanized Steel	WN-3/4	1	
5	3/4" MF Lock Nut	Galvanized Steel	LN-3/4	1	
6	Bolted Deadend (Included)	Aluminum	Determined by AFL	1	

Accessories enlarged for clarity

OPGW Single Dead End Wood Pole/H-Frame Configuration Assemblies (cont.)



AFL NO.

OWPDE3

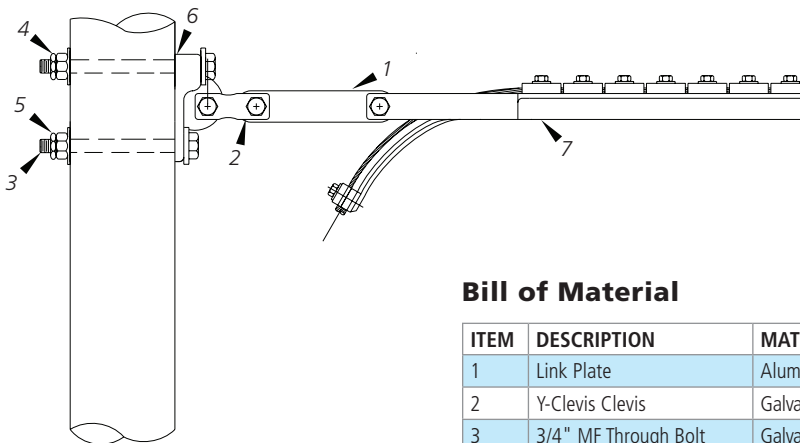
Assembly Code

DNOXXXX

Cable Spec. Number

Bill of Material

ITEM	DESCRIPTION	MATERIAL	AFL OR DWG. NO.	REQ'D	REMARKS
1	Socket Eye	Galvanized Steel	SE-BDE	1	
2	Y-Clevis Ball Hot Link	Galvanized Steel	YCBHL	1	Pin Dia. = 0.75" (19 mm)
3	Eye Plate	Galvanized Steel	EP1	1	
4	3/4" Washer Nut	Galvanized Steel	WN-3/4	2	
5	3/4" MF Lock Nut	Galvanized Steel	LN-3/4	2	
6	3/4" MF Through Bolt	Galvanized Steel	TB-3/4-14	2	Length = 14"
7	Bolted Deadend (Included)	Aluminum	Determined by AFL	1	



AFL NO.

OWPDE4

Assembly Code

DNOXXXX

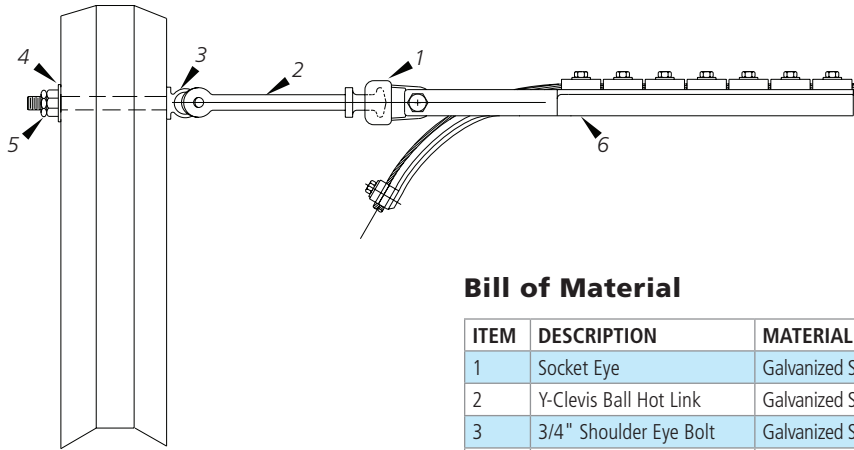
Cable Spec. Number

Bill of Material

ITEM	DESCRIPTION	MATERIAL	AFL OR DWG. NO.	REQ'D	REMARKS
1	Link Plate	Aluminum	ODEL10	1	
2	Y-Clevis Clevis	Galvanized Steel	YCC	1	Pin Dia. = 0.75" (19 mm)
3	3/4" MF Through Bolt	Galvanized Steel	TB-3/4-14	2	Length = 14"
4	3/4" Washer Nut	Galvanized Steel	WN-3/4	2	
5	3/4" MF Lock Nut	Galvanized Steel	LN-3/4	2	
6	Eye Plate	Galvanized Steel	EP1	1	
7	Bolted Deadend (Included)	Aluminum	Determined by AFL	1	

Accessories enlarged for clarity

OPGW Single Dead End Steel Pole/Drilled Configuration Assemblies

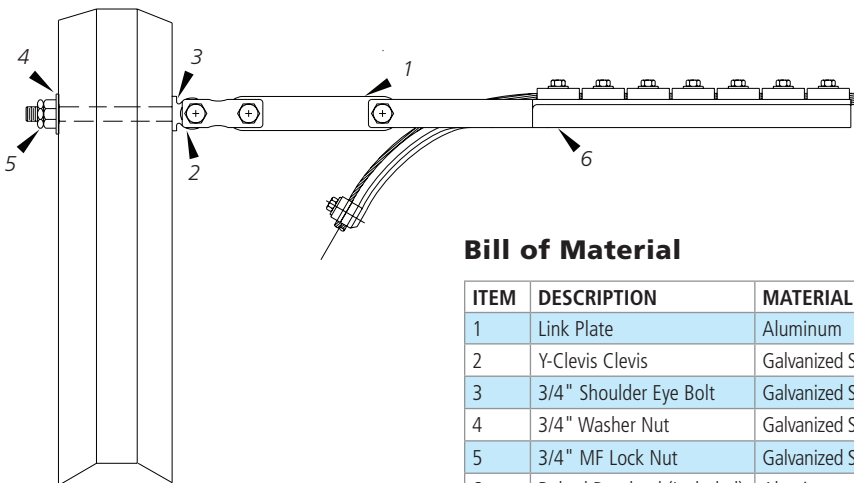


AFL NO.

OSPDE1 - **DNOXXXX**
 Assembly Code Cable Spec. Number

Bill of Material

ITEM	DESCRIPTION	MATERIAL	AFL OR DWG. NO.	REQ'D	REMARKS
1	Socket Eye	Galvanized Steel	SE-BDE	1	
2	Y-Clevis Ball Hot Link	Galvanized Steel	YCBHL	1	Pin Dia. = 0.75" (19 mm)
3	3/4" Shoulder Eye Bolt	Galvanized Steel	SEB-3/4-14	1	Length = 14"
4	3/4" Washer Nut	Galvanized Steel	WN-3/4	1	
5	3/4" MF Lock Nut	Galvanized Steel	LN-3/4	1	
6	Bolted Deadend (Included)	Aluminum	Determined by AFL	1	



AFL NO.

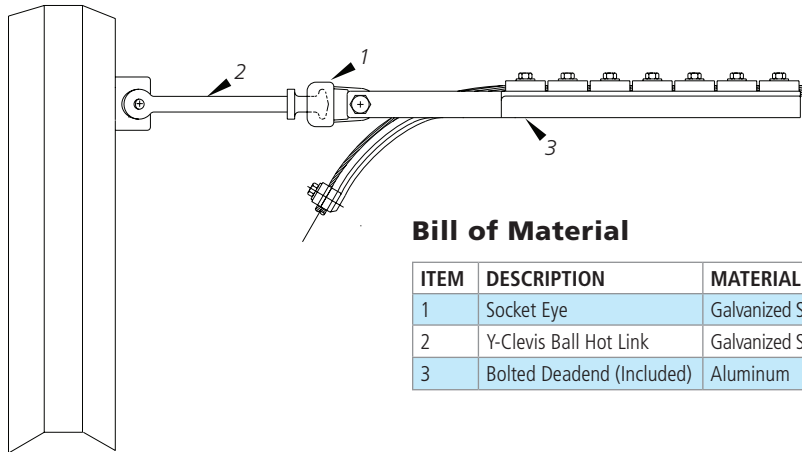
OSPDE2 - **DNOXXXX**
 Assembly Code Cable Spec. Number

Bill of Material

ITEM	DESCRIPTION	MATERIAL	AFL OR DWG. NO.	REQ'D	REMARKS
1	Link Plate	Aluminum	ODELP10	1	
2	Y-Clevis Clevis	Galvanized Steel	YCC	1	Pin Dia. = 0.75" (19 mm)
3	3/4" Shoulder Eye Bolt	Galvanized Steel	SEB-3/4-14	1	Length = 14"
4	3/4" Washer Nut	Galvanized Steel	WN-3/4	1	
5	3/4" MF Lock Nut	Galvanized Steel	LN-3/4	1	
6	Bolted Deadend (Included)	Aluminum	Determined by AFL	1	

Accessories enlarged for clarity

OPGW Single Dead End Steel Pole/Vang Configuration Assemblies



AFL NO.

OSPDE3

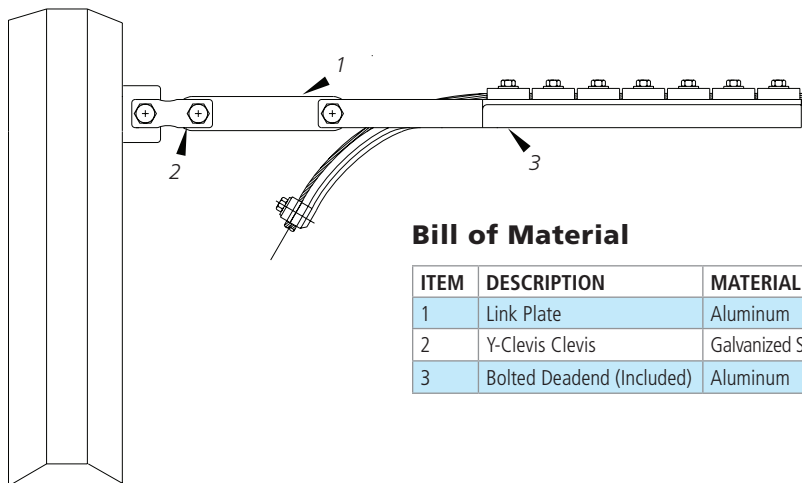
Assembly Code

DNOXXXX

Cable Spec. Number

Bill of Material

ITEM	DESCRIPTION	MATERIAL	AFL OR DWG. NO.	REQ'D	REMARKS
1	Socket Eye	Galvanized Steel	SE-BDE	1	
2	Y-Clevis Ball Hot Link	Galvanized Steel	YCBHL	1	Pin Dia. = 0.75" (19 mm)
3	Bolted Deadend (Included)	Aluminum	Determined by AFL	1	



AFL NO.

OSPDE4

Assembly Code

DNOXXXX

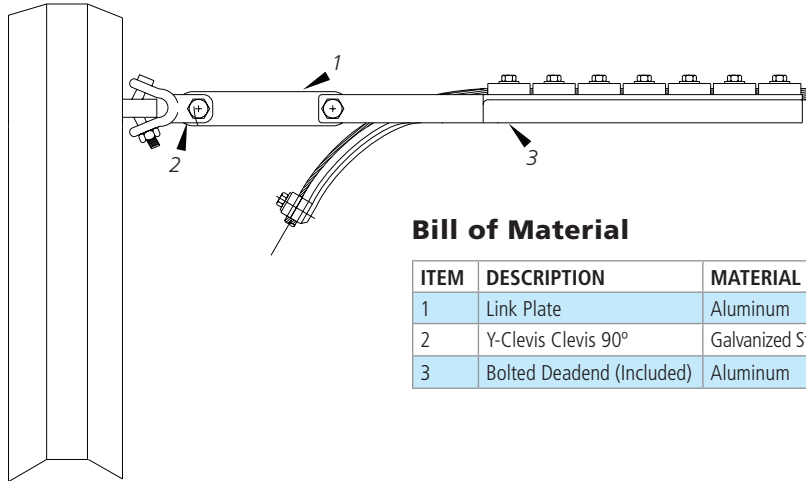
Cable Spec. Number

Bill of Material

ITEM	DESCRIPTION	MATERIAL	AFL OR DWG. NO.	REQ'D	REMARKS
1	Link Plate	Aluminum	ODEL10	1	
2	Y-Clevis Clevis	Galvanized Steel	YCC	1	Pin Dia. = 0.75" (19 mm)
3	Bolted Deadend (Included)	Aluminum	Determined by AFL	1	

Accessories enlarged for clarity

OPGW Single Dead End Steel Pole/Vang Configuration Assemblies (cont.)



AFL NO.

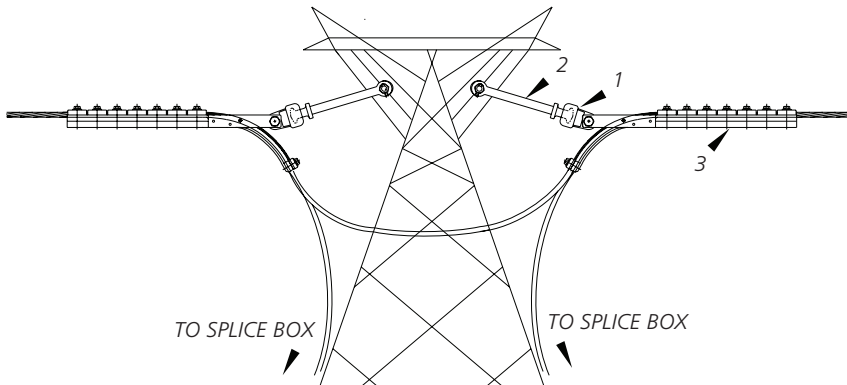
OSPDE5 - **DNOXXXX**
 Assembly Code Cable Spec. Number

Bill of Material

ITEM	DESCRIPTION	MATERIAL	AFL OR DWG. NO.	REQ'D	REMARKS
1	Link Plate	Aluminum	ODELP10	1	
2	Y-Clevis Clevis 90°	Galvanized Steel	YCC-90	1	Pin Dia. = 0.75" (19 mm)
3	Bolted Deadend (Included)	Aluminum	Determined by AFL	1	

Accessories enlarged for clarity

OPGW Double Dead End Lattice Tower Configuration Assemblies

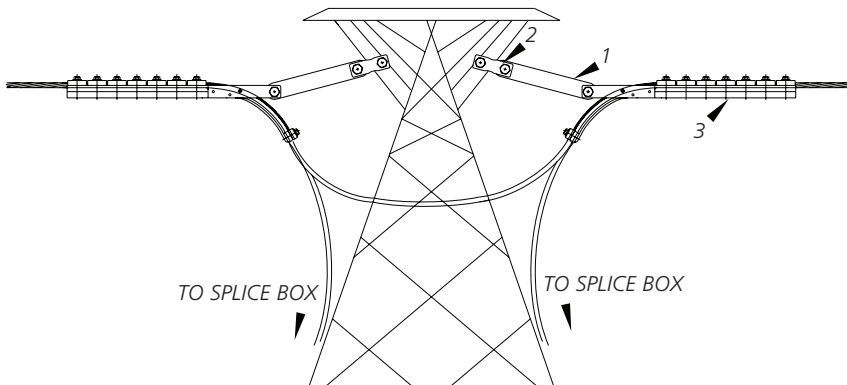


AFL NO.

OLTDD1 - **DNOXXXX**
 Assembly Code Cable Spec. Number

Bill of Material

ITEM	DESCRIPTION	MATERIAL	AFL OR DWG. NO.	REQ'D	REMARKS
1	Socket Eye	Galvanized Steel	SE-BDE	2	
2	Y-Clevis Ball Hot Link	Galvanized Steel	YCBHL	2	Pin Dia. = 0.75" (19 mm)
3	Bolted Dead End (Included)	Aluminum	Determined by AFL	2	



AFL NO.

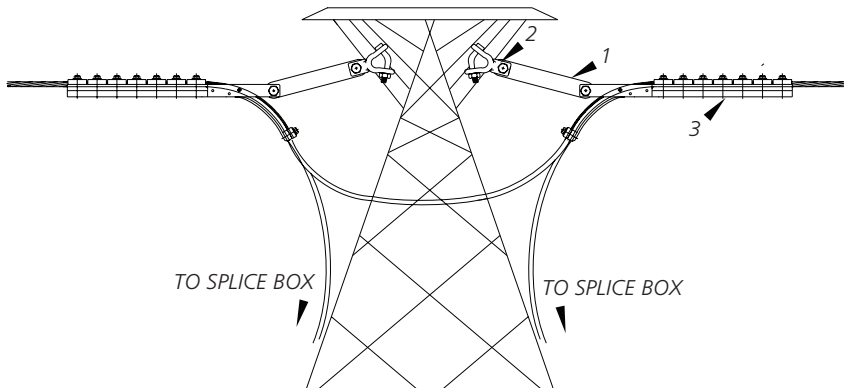
OLTDD2 - **DNOXXXX**
 Assembly Code Cable Spec. Number

Bill of Material

ITEM	DESCRIPTION	MATERIAL	AFL OR DWG. NO.	REQ'D	REMARKS
1	Link Plate	Aluminum	ODELP10	2	
2	Y-Clevis Clevis	Galvanized Steel	YCC	2	Pin Dia. = 0.75" (19 mm)
3	Bolted Dead End (Included)	Aluminum	Determined by AFL	2	

Accessories enlarged for clarity

OPGW Double Dead End Lattice Tower Configuration Assemblies (cont.)



AFL NO.

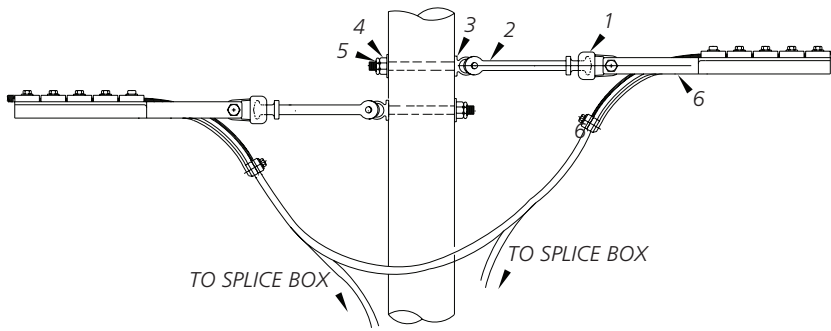
OLTDD3 - **DNOXXXX**
 Assembly Code Cable Spec. Number

Bill of Material

ITEM	DESCRIPTION	MATERIAL	AFL OR DWG. NO.	REQ'D	REMARKS
1	Link Plate	Aluminum	ODELP10	2	
2	Y-Clevis Clevis 90	Galvanized Steel	YCC-90	2	Pin Dia. = 0.75" (19 mm)
3	Bolted Dead End (Included)	Aluminum	Determined by AFL	2	

Accessories enlarged for clarity

OPGW Double Dead End Wood Pole/H-Frame Configuration Assemblies



AFL NO.

OWPDD1

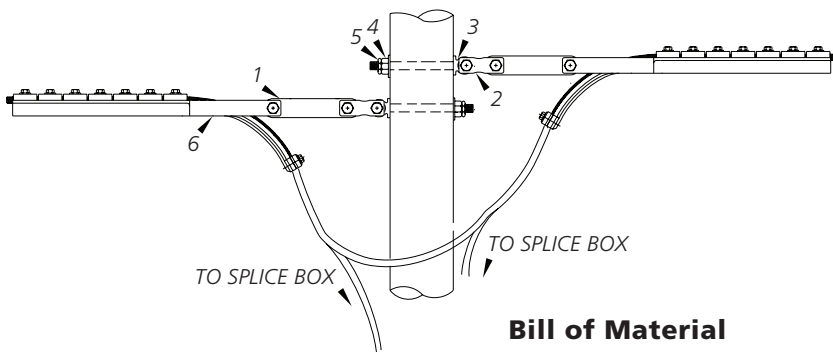
Assembly Code

DNOXXXX

Cable Spec. Number

Bill of Material

ITEM	DESCRIPTION	MATERIAL	AFL OR DWG. NO.	REQ'D	REMARKS
1	Socket Eye	Galvanized Steel	SE-BDE	2	
2	Y-Clevis Ball Hot Link	Galvanized Steel	YCBHL	2	Pin Dia. = 0.75" (19 mm)
3	3/4" Shoulder Eye Bolt	Galvanized Steel	SEB-3/4-14	2	Length = 14"
4	3/4" Washer Nut	Galvanized Steel	WN-3/4	2	
5	3/4" MF Lock Nut	Galvanized Steel	LN-3/4	2	
6	Bolted Deadend (Included)	Aluminum	Determined by AFL	2	



AFL NO.

OWPDD2

Assembly Code

DNOXXXX

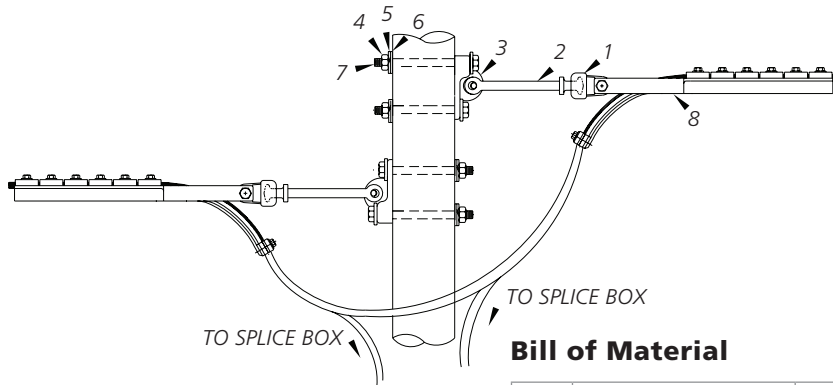
Cable Spec. Number

Bill of Material

ITEM	DESCRIPTION	MATERIAL	AFL OR DWG. NO.	REQ'D	REMARKS
1	Link Plate	Aluminum	ODEL10	2	
2	Y-Clevis Clevis	Galvanized Steel	YCC	2	Pin Dia. = 0.75" (19 mm)
3	3/4" Shoulder Eye Bolt	Galvanized Steel	SEB-3/4-14	2	
4	3/4" Washer Nut	Galvanized Steel	WN-3/4	2	
5	3/4" MF Lock Nut	Galvanized Steel	LN-3/4	2	
6	Bolted Deadend (Included)	Aluminum	Determined by AFL	2	

Accessories enlarged for clarity

OPGW Double Dead End Wood Pole/H-Frame Configuration Assemblies (cont.)

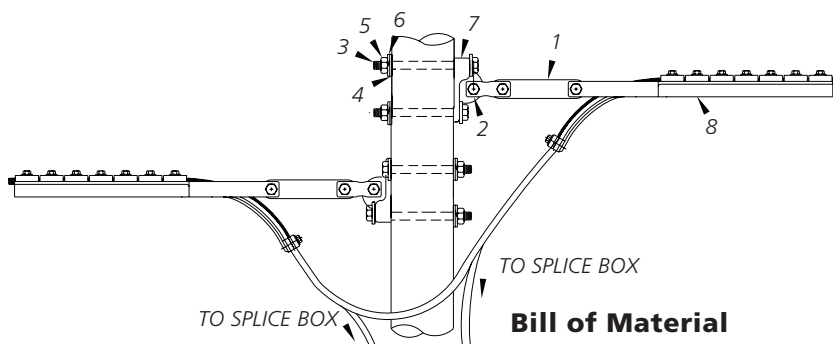


AFL NO.

OWPDD3 - **DNOXXXX**
 Assembly Code Cable Spec. Number

Bill of Material

ITEM	DESCRIPTION	MATERIAL	AFL OR DWG. NO.	REQ'D	REMARKS
1	Socket Eye	Galvanized Steel	SE-BDE	2	
2	Y-Clevis Ball Hot Link	Galvanized Steel	YCBHL	2	Pin Dia. = 0.75" (19 mm)
3	Eye Plate	Galvanized Steel	EP1	2	
4	3/4" Lock Washer Nut	Galvanized Steel	LW-3/4	4	
5	3/4" Nut	Galvanized Steel	HN-3/4	4	
6	3/4" Flat Washer	Galvanized Steel	FW -3/4	4	
7	3/4" Through Bolt	Galvanized Steel	TB-3/4-14	4	Length = 14"
8	Bolted Deadend (Included)	Aluminum	Determined by AFL	2	



AFL NO.

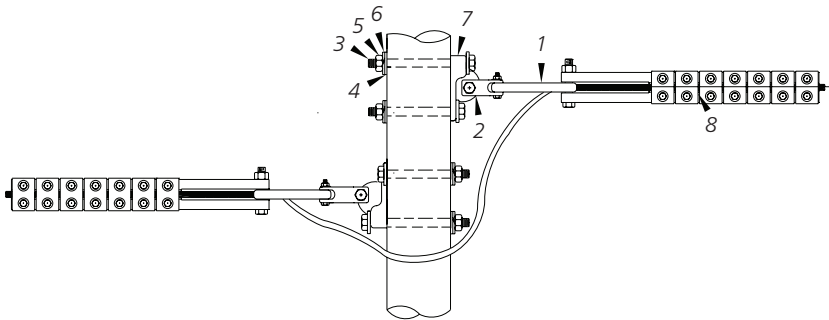
OWPDD4 - **DNOXXXX**
 Assembly Code Cable Spec. Number

Bill of Material

ITEM	DESCRIPTION	MATERIAL	AFL OR DWG. NO.	REQ'D	REMARKS
1	Link Plate	Aluminum	ODELP10	2	
2	Y-Clevis Clevis	Galvanized Steel	YCC	2	Pin Dia. = 0.75" (19 mm)
3	3/4" Through Bolt	Galvanized Steel	TB-3/4-14	4	Length = 14"
4	3/4" Flat Washer	Galvanized Steel	FN-3/4	4	
5	3/4" Nut	Galvanized Steel	HN-3/4	4	
6	3/4" Lock Washer	Galvanized Steel	LW-3/4	4	
7	Eye Plate	Galvanized Steel	EP1	2	
8	Bolted Deadend (Included)	Aluminum	Determined by AFL	2	

Accessories enlarged for clarity

OPGW Double Dead End Wood Pole/H-Frame Configuration Assemblies (cont.)



AFL NO.

OWPDD5

Assembly Code

DNOXXXX

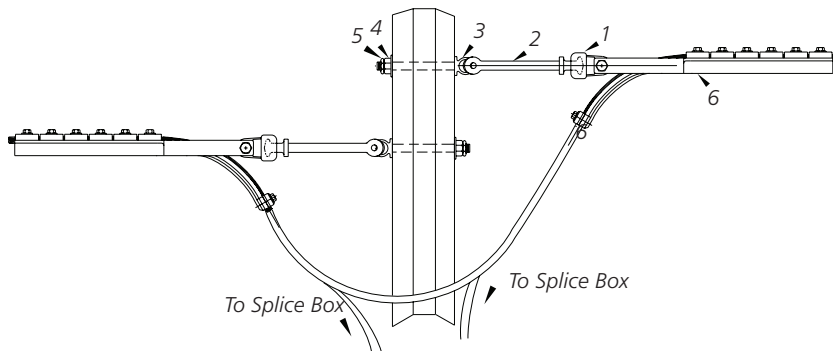
Cable Spec. Number

Bill of Material

ITEM	DESCRIPTION	MATERIAL	AFL OR DWG. NO.	REQ'D	REMARKS
1	Link Plate	Aluminum	ODEL P10	2	
2	Y-Clevis Clevis 90°	Galvanized Steel	YCC-90	2	Pin Dia. = 0.75" (19 mm)
3	3/4" Through Bolt	Galvanized Steel	TB-3/4-14	4	Length = 14"
4	3/4" Flat Washer	Galvanized Steel	FN-3/4	4	
5	3/4" Nut	Galvanized Steel	HN-3/4	4	
6	3/4" Lock Washer	Galvanized Steel	LW-3/4	4	
7	Eye Plate	Galvanized Steel	EP1	2	
8	Bolted Deadend (Included)	Aluminum	Determined by AFL	2	

Accessories enlarged for clarity

OPGW Double Dead End Steel Pole/Drilled Configuration Assemblies



AFL NO.

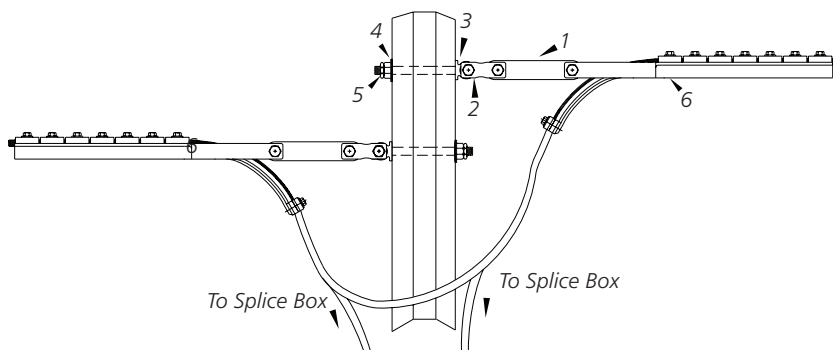
OSPDD1 - DNOXXXX

Assembly Code

Cable Spec. Number

Bill of Material

ITEM	DESCRIPTION	MATERIAL	AFL OR DWG. NO.	REQ'D	REMARKS
1	Socket Eye	Galvanized Steel	SE-BDE	2	
2	Y-Clevis Ball Hot Link	Galvanized Steel	YCBHL	2	Pin Dia. = 0.75" (19 mm)
3	3/4" Shoulder Eye Bolt	Galvanized Steel	SEB-3/4-14	2	
4	3/4" Washer Nut	Galvanized Steel	WN-3/4	2	
5	3/4" MF Lock Nut	Galvanized Steel	LN-3/4	2	
6	Bolted Deadend (Included)	Aluminum	Determined by AFL	2	



AFL NO.

OSPDD2 - DNOXXXX

Assembly Code

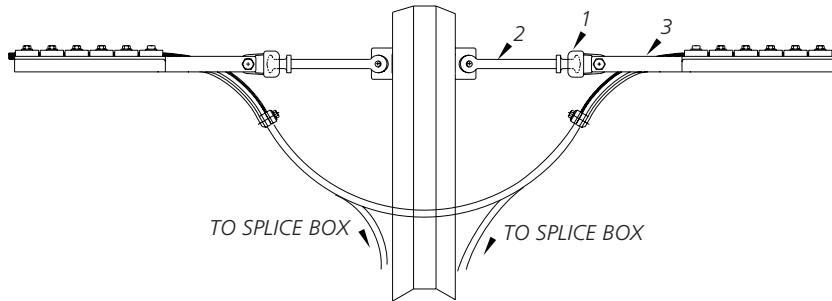
Cable Spec. Number

Bill of Material

ITEM	DESCRIPTION	MATERIAL	AFL OR DWG. NO.	REQ'D	REMARKS
1	Link Plate	Aluminum	ODEL10	2	
2	Y-Clevis Clevis	Galvanized Steel	YCC	2	Pin Dia. = 0.75" (19 mm)
3	3/4" Shoulder Eye Bolt	Galvanized Steel	SEB-3/4-14	2	
4	3/4" Washer Nut	Galvanized Steel	WN-3/4	2	
5	3/4" MF Lock Nut	Galvanized Steel	LN-3/4	2	
6	Bolted Deadend (Included)	Aluminum	Determined by AFL	2	

Accessories enlarged for clarity

OPGW Double Dead End Steel Pole/Vang Configuration Assemblies



AFL NO.

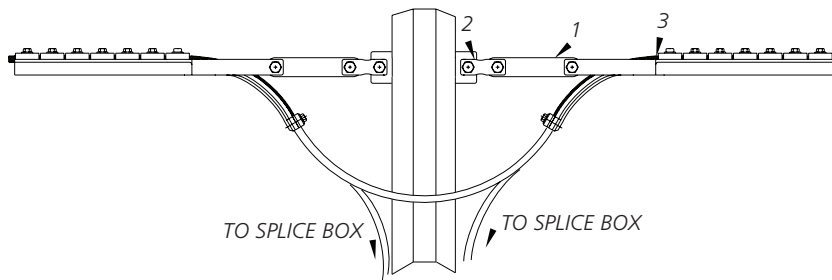
OSPDD3 - **DNOXXXX**

Assembly Code

Cable Spec. Number

Bill of Material

ITEM	DESCRIPTION	MATERIAL	AFL OR DWG. NO.	REQ'D	REMARKS
1	Socket Eye	Galvanized Steel	SE-BDE	2	
2	Y-Clevis Ball Hot Link	Galvanized Steel	YCBHL	2	Pin Dia. = 0.75" (19 mm)
3	Bolted Deadend (Included)	Aluminum	Determined by AFL	2	



AFL NO.

OSPDD4 - **DNOXXXX**

Assembly Code

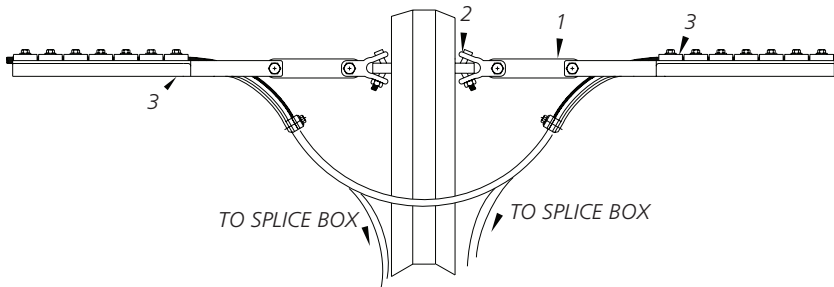
Cable Spec. Number

Bill of Material

ITEM	DESCRIPTION	MATERIAL	AFL OR DWG. NO.	REQ'D	REMARKS
1	Link Plate	Aluminum	ODELPI0	2	
2	Y-Clevis Clevis	Galvanized Steel	YCC	2	Pin Dia. = 0.75" (19 mm)
3	Bolted Deadend (Included)	Aluminum	Determined by AFL	2	

Accessories enlarged for clarity

OPGW Double Dead End Steel Pole/Vang Configuration Assemblies (cont.)



AFL NO.

OSPDD5

Assembly Code

DNOXXXX

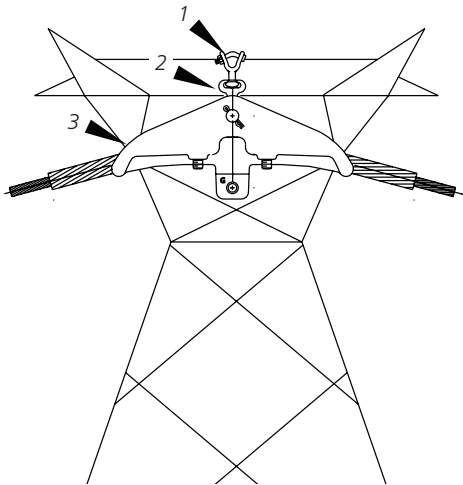
Cable Spec. Number

Bill of Material

ITEM	DESCRIPTION	MATERIAL	AFL OR DWG. NO.	REQ'D	REMARKS
1	Link Plate	Aluminum	ODELP10	2	
2	Y-Clevis Clevis 90°	Galvanized Steel	YCC-90	2	Pin Dia. = 0.75" (19 mm)
3	Bolted Deadend (Included)	Aluminum	Determined by AFL	2	

Accessories enlarged for clarity

OPGW Single Suspension Lattice Tower Configuration Assemblies

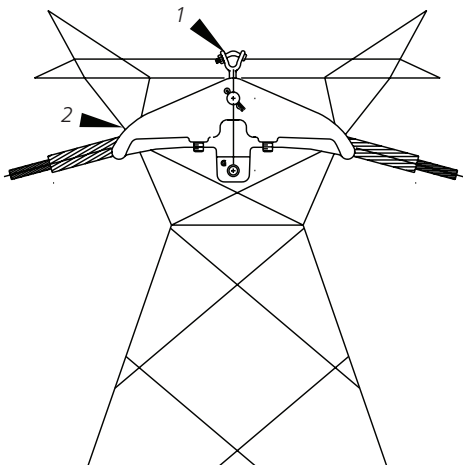


AFL NO.

OLTSP1 - **XXX/XXX**
 Assembly Code SUME Range Code

Bill of Material

ITEM	DESCRIPTION	MATERIAL	AFL OR DWG. NO.	REQ'D	REMARKS
1	Y-Clevis Ball	Galvanized Steel	YCBS	1	Pin Dia. = 0.75" (19 mm)
2	Socket Eye	Galvanized Steel	SE-SC	1	
3	Suspension Clamp Assembly (Included)	Aluminum	SUME XXX/XXX	1	



AFL NO.

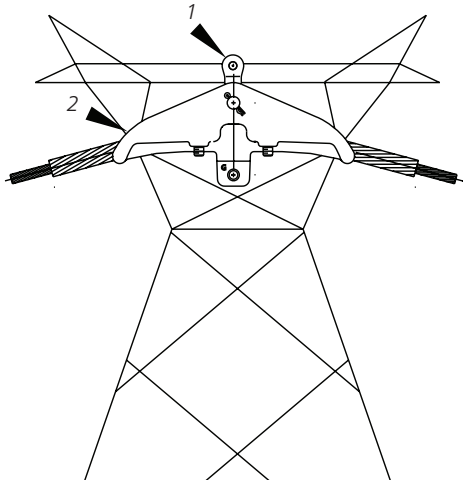
OLTSP2 - **XXX/XXX**
 Assembly Code SUME Range Code

Bill of Material

ITEM	DESCRIPTION	MATERIAL	AFL OR DWG. NO.	REQ'D	REMARKS
1	Y-Clevis Eye 90°	Galvanized Steel	YCE-90-SC	1	Pin Dia. = 0.75" (19 mm)
2	Suspension Clamp Assembly (Included)	Aluminum	SUME XXX/XXX	1	

Accessories enlarged for clarity

OPGW Single Suspension Lattice Tower Configuration Assemblies (cont.)



AFL NO.

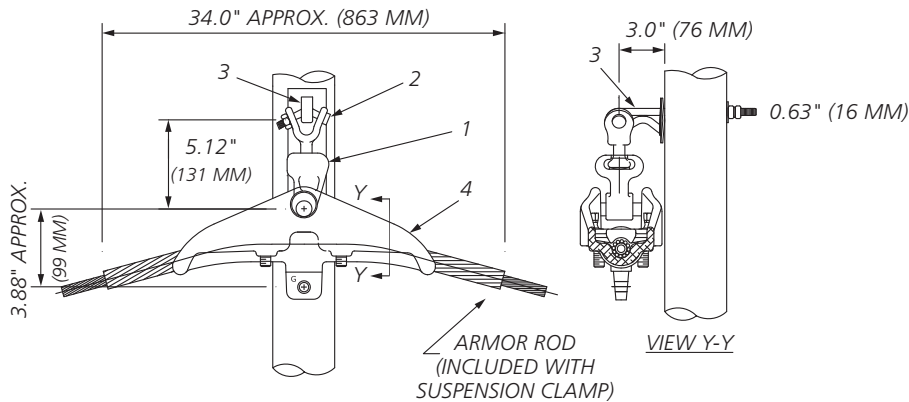
OLTSP3 - **XXX/XXX**
 Assembly Code SUME Range Code

Bill of Material

ITEM	DESCRIPTION	MATERIAL	AFL OR DWG. NO.	REQ'D	REMARKS
1	Y-Clevis Eye	Galvanized Steel	YC90E-750-1750	1	Pin Dia. = 0.75" (19 mm)
2	Suspension Clamp Assembly (Included)	Aluminum	SUME XXX/XXX	1	

Accessories enlarged for clarity

OPGW Single Suspension Wood Pole/H-Frame Configuration Assemblies

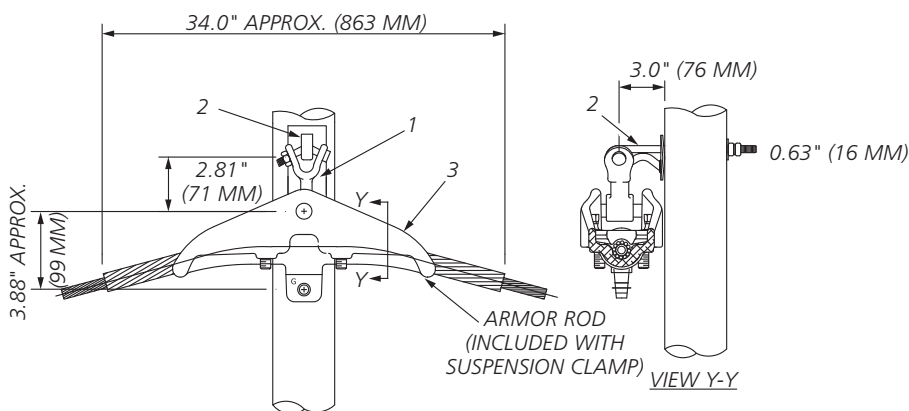


AFL NO.

OWPSP1 - **XXX/XXX**
 Assembly Code SUME Range Code

Bill of Material

ITEM	DESCRIPTION	MATERIAL	AFL OR DWG. NO.	REQ'D	REMARKS
1	Socket Eye	Galvanized Steel	SE-SC	1	
2	Y-Clevis Ball	Galvanized Steel	YCBS	1	Pin Dia. = 0.75" (19mm)
3	Shield Wire Support Bracket	Galvanized Steel	SFOSB-WP-14	1	14" Bolt, 0.63" (16 mm) Dia.
4	Suspension Clamp Assembly (included)	Aluminum	SUME XXX/XXX	1	



AFL NO.

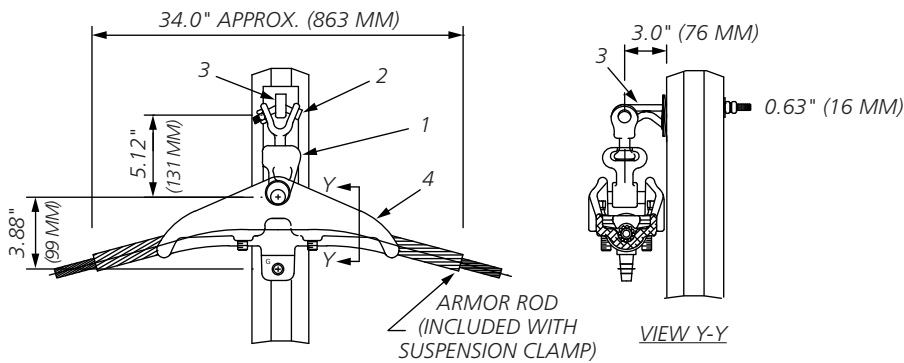
OWPSP2 - **XXX/XXX**
 Assembly Code SUME Range Code

Bill of Material

ITEM	DESCRIPTION	MATERIAL	AFL OR DWG. NO.	REQ'D	REMARKS
1	Y-Clevis Eye 90°	Galvanized Steel	YC90E-750-1750	1	Pin Dia. = 0.75" (19 mm)
2	Shield Wire Support Bracket	Galvanized Steel	SFOSB-WP-14	1	14" Bolt, 0.63" (16 mm) Dia.
3	Susp. Damp Assembly (included)	Aluminum	SUME XXX/XXX	1	

Accessories enlarged for clarity

OPGW Single Suspension Steel Pole/Drilled Configuration Assembly



AFL NO.

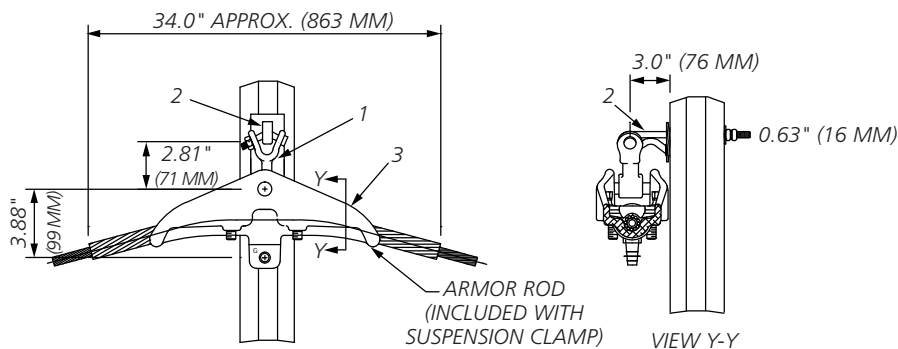
OSPSP1 - **XXX/XXX**

Assembly Code

SUME Range Code

Bill of Material

ITEM	DESCRIPTION	MATERIAL	AFL OR DWG. NO.	REQ'D	REMARKS
1	Socket Eye	Galvanized Steel	SE-SC	1	
2	Y-Clevis Ball	Galvanized Steel	YCBS	1	Pin Dia. = 0.75" (19 mm)
3	Shield Wire Support Bracket	Galvanized Steel	SFOSB-WP-14	1	14" Bolt, 0.63" (16 mm) Dia.
4	Suspension Clamp Assembly (Included)	Aluminum	SUME XXX/XXX	1	



AFL NO.

OSPSP2 - **XXX/XXX**

Assembly Code

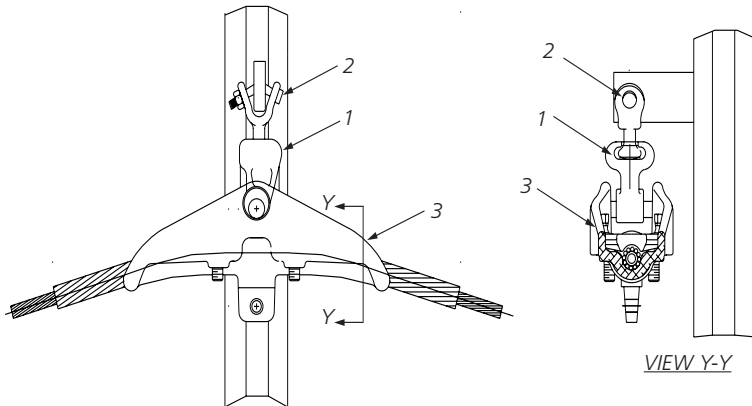
SUME Range Code

Bill of Material

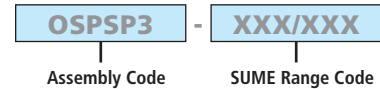
ITEM	DESCRIPTION	MATERIAL	AFL OR DWG. NO.	REQ'D	REMARKS
1	Y-Clevis Eye 90°	Galvanized Steel	YC90E-750-1750	1	Pin Dia. = 0.75" (19 mm)
2	Shield Wire Support Bracket	Galvanized Steel	SFOSB-WP-14	1	14" Bolt, 0.63" (16 mm) Dia.
3	Suspension Clamp Assembly (Included)	Aluminum	SUME XXX/XXX	1	

Accessories enlarged for clarity

OPGW Single Suspension Steel Pole/Vang Configuration Assemblies

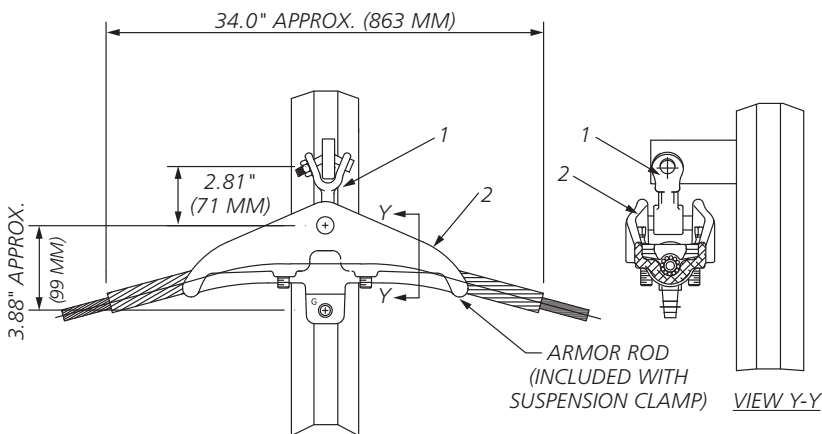


AFL NO.

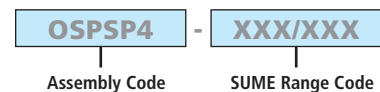


Bill of Material

ITEM	DESCRIPTION	MATERIAL	AFL OR DWG. NO.	REQ'D	REMARKS
1	Socket Eye	Galvanized Steel	SE-SC	1	
2	Y-Clevis Ball	Galvanized Steel	YCBS	1	Pin Dia. = 0.75" (19 mm)
3	Suspension Clamp Assembly (Included)	Aluminum	SUME XXX/XXX	1	



AFL NO.

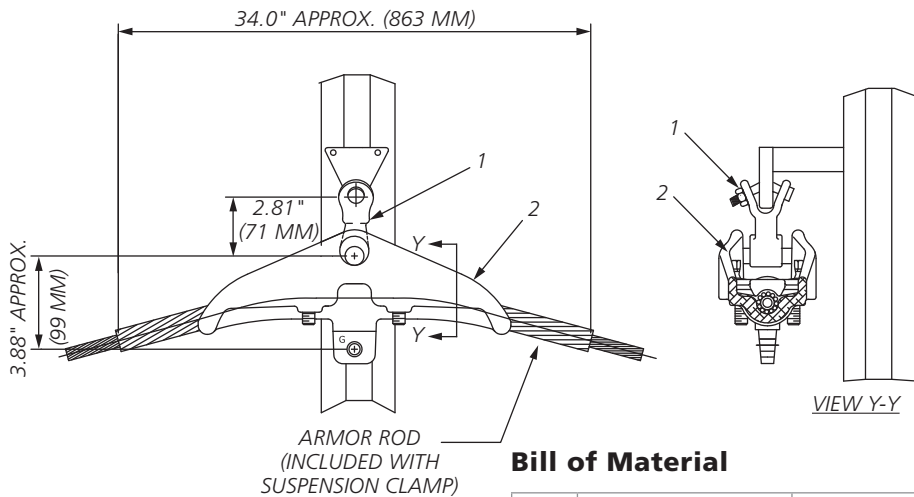


Bill of Material

ITEM	DESCRIPTION	MATERIAL	AFL OR DWG. NO.	REQ'D	REMARKS
1	Y-Clevis Eye 90°	Galvanized Steel	YC90E-750-1750	1	Pin Dia. = 0.75" (19 mm)
2	Suspension Clamp Assembly (Included)	Aluminum	SUME XXX/XXX	1	

Accessories enlarged for clarity

OPGW Single Suspension Steel Pole/Vang Configuration Assemblies (cont.)

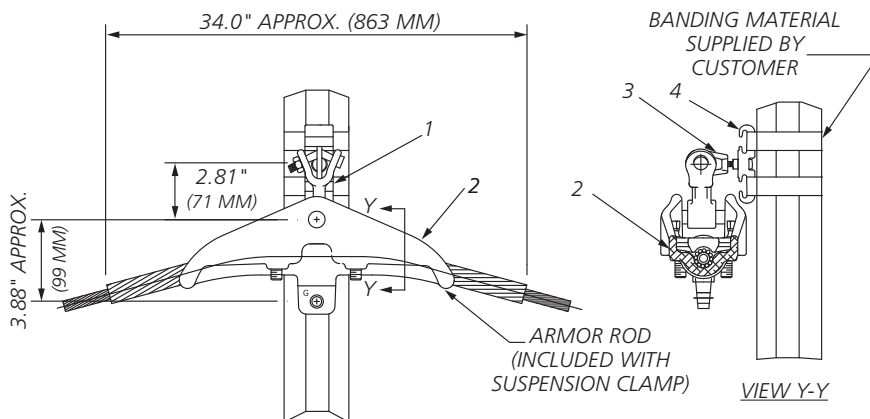


AFL NO.

OSPSP5 - **XXX/XXX**
 Assembly Code SUME Range Code

Bill of Material

ITEM	DESCRIPTION	MATERIAL	AFL OR DWG. NO.	REQ'D	REMARKS
1	Y-Clevis Eye	Galvanized Steel	YCS-11	1	Pin Dia. = 0.75" (19 mm)
2	Suspension Clamp Assembly (Included)	Aluminum	SUME XXX/XXX	1	



AFL NO.

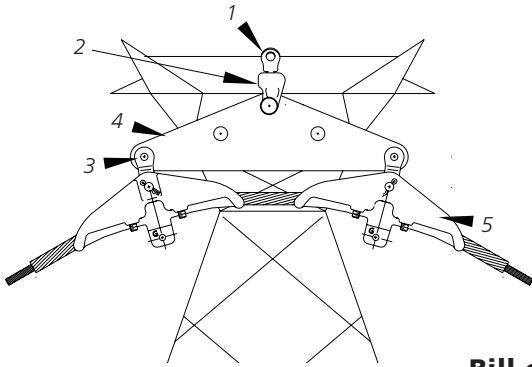
OSPSP6 - **XXX/XXX**
 Assembly Code SUME Range Code

Bill of Material

ITEM	DESCRIPTION	MATERIAL	AFL OR DWG. NO.	REQ'D	REMARKS
1	Y-Clevis Eye 90°	Galvanized Steel	YC90E-750-1750	1	Pin Dia. = 0.75" (19mm)
2	Suspension Clamp Assembly (Included)	Aluminum	SUME XXX/XXX	1	
3	Eye Bolt	Galvanized Steel			
4	Banding Adaptor	Aluminum			

Accessories enlarged for clarity

OPGW Double Suspension Lattice Tower Configuration Assemblies

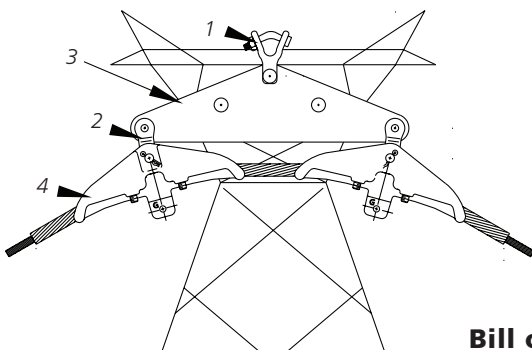


AFL NO.

OLTSS1 - **XXX/XXX**
 Assembly Code SUME Range Code

Bill of Material

ITEM	DESCRIPTION	MATERIAL	AFL OR DWG. NO.	REQ'D	REMARKS
1	Y-Clevis Ball	Galvanized Steel	YCBS	1	Pin Dia. = 0.75" (19 mm)
2	Socket Clevis	Galvanized Steel	SC-YP	1	
3	Clevis Eye	Galvanized Steel	CE-SC	2	
4	Yoke Plate	Galvanized Steel	SUMEYP	1	
5	Double Suspension (included)	Aluminum	ODSME XXX/XXX	1	



AFL NO.

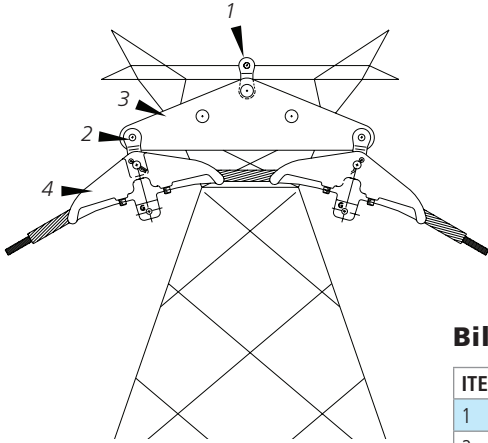
OLTSS2 - **XXX/XXX**
 Assembly Code SUME Range Code

Bill of Material

ITEM	DESCRIPTION	MATERIAL	AFL OR DWG. NO.	REQ'D	REMARKS
1	Y-Clevis Clevis 90°	Galvanized Steel	YCC-90	1	Pin Dia. = 0.75" (19 mm)
2	Clevis Eye	Alum./Gal. Steel	CE-SC	2	
3	Yoke Plate	Alum./Gal. Steel	SUMEYP	1	
4	Double Suspension (included)	Alum./Gal. Steel	ODSME XXX/XXX	1	

Accessories enlarged for clarity

OPGW Double Suspension Lattice Tower Configuration Assemblies (cont.)



AFL NO.

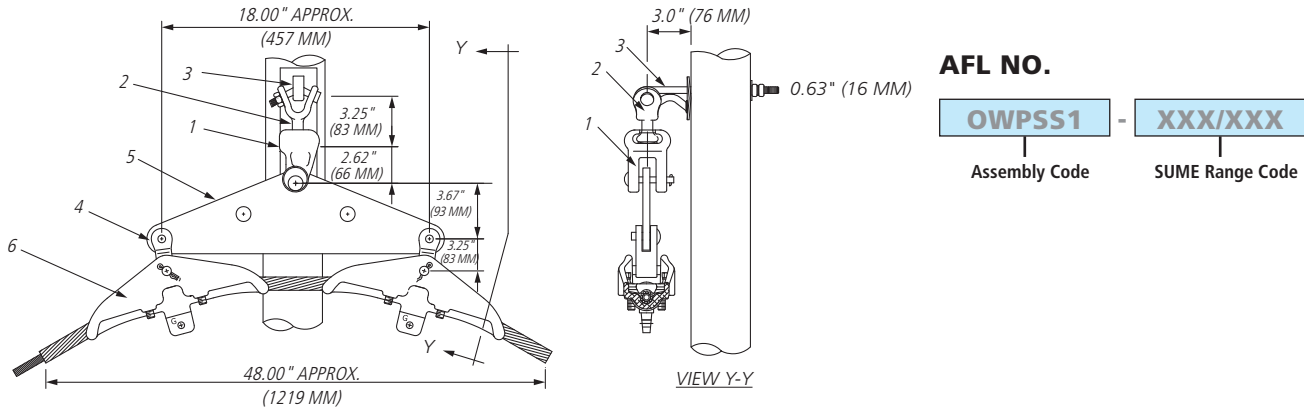
OLTSS3 - **XXX/XXX**
 Assembly Code SUME Range Code

Bill of Material

ITEM	DESCRIPTION	MATERIAL	AFL OR DWG. NO.	REQ'D	REMARKS
1	Y-Clevis Clevis	Galvanized Steel	YCC	1	Pin Dia. = 0.75" (19 mm)
2	Clevis Eye	Galvanized Steel	CE-SC	2	
3	Yoke Plate	Galvanized Steel	SUMEYP	1	
4	Double Suspension (included)	Aluminum	ODSME XXX/XXX	1	

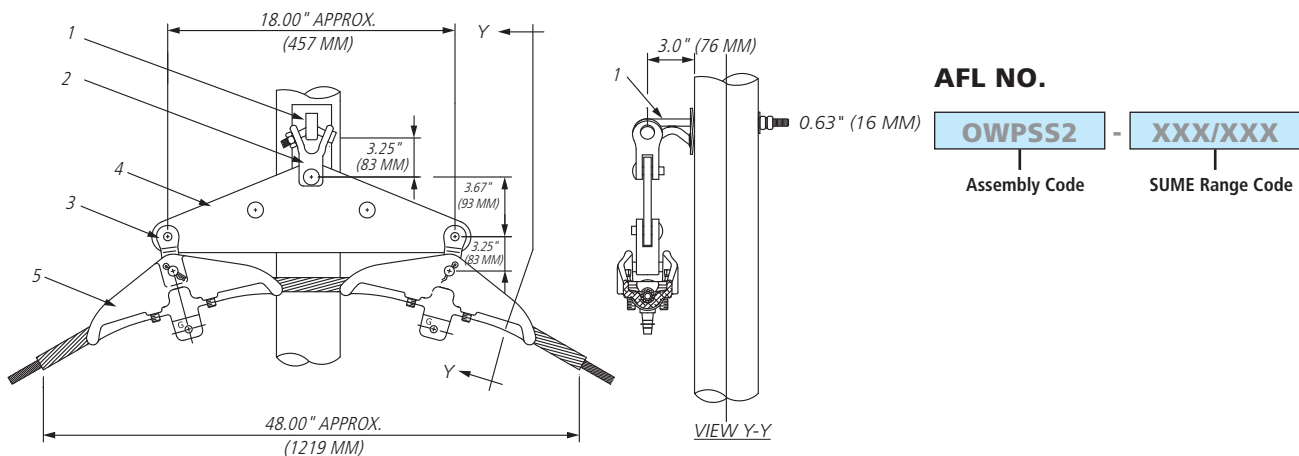
Accessories enlarged for clarity

OPGW Double Suspension Wood Pole/H-Frame Configuration Assemblies



Bill of Material

ITEM	DESCRIPTION	MATERIAL	AFL OR DWG. NO.	REQ'D	REMARKS
1	Socket Clevis	Galvanized Steel	SC-YP	1	
2	Y-Clevis Ball	Galvanized Steel	YCBS	1	Pin Dia. = 0.75" (19 mm)
3	Shield Wire Support Bracket	Galvanized Steel	SFOSB-WP-14	1	14" Bolt, 0.63" (16 mm) Dia.
4	Clevis Eye	Galvanized Steel	CE-SC	2	
5	Yoke Plate	Galvanized Steel	SUMEYP	1	
6	Double Suspension (incl.)	Aluminum	ODSME XXX/XXX	1	

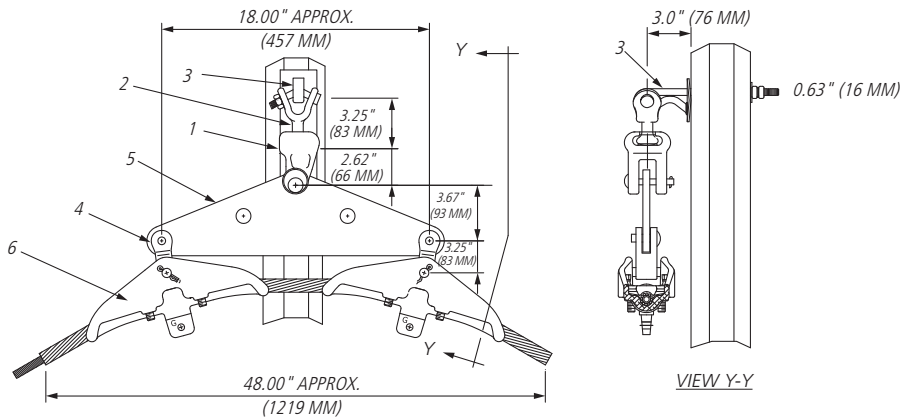


Bill of Material

ITEM	DESCRIPTION	MATERIAL	AFL OR DWG. NO.	REQ'D	REMARKS
1	Shield Wire Support Bracket	Galvanized Steel	SFOSB-WP-14	1	14" Bolt, 0.63" (16 mm) Dia.
2	Y-Clevis Clevis 90°	Galvanized Steel	YCC-90	1	Pin Dia. = 0.75" (19 mm)
3	Clevis Eye	Galvanized Steel	CE-SC	2	
4	Yoke Plate	Galvanized Steel	SUMEYP	1	
5	Double Suspension (Included)	Aluminum	ODSME XXX/XXX	1	

Accessories enlarged for clarity

OPGW Double Suspension Steel Pole/Drilled Configuration Assembly

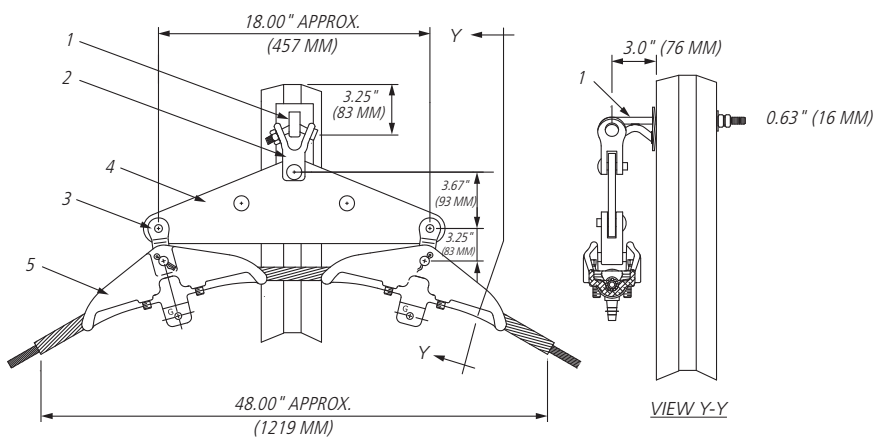


AFL NO.

OSPSS1 - **XXX/XXX**
 Assembly Code SUME Range Code

Bill of Material

ITEM	DESCRIPTION	MATERIAL	AFL OR DWG. NO.	REQ'D	REMARKS
1	Socket Clevis	Galvanized Steel	SC-YP	1	
2	Y-Clevis Ball	Galvanized Steel	YCBS	1	Pin Dia. = 0.75" (19 mm)
3	Shield Wire Support Bracket	Galvanized Steel	SFOSB-WP-14	1	14" Bolt, 0.63" (16 mm) Dia.
4	Clevis Eye	Galvanized Steel	CE-SC	2	
5	Yoke Plate	Galvanized Steel	SUMEYP	1	
6	Double Suspension (incl.)	Aluminum	ODSME XXX/XXX	1	



AFL NO.

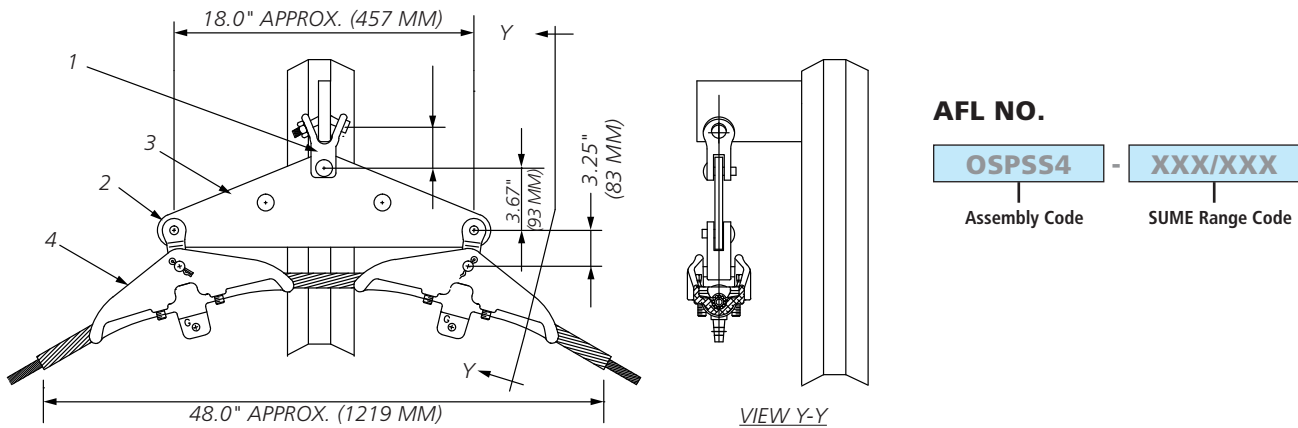
OSPSS2 - **XXX/XXX**
 Assembly Code SUME Range Code

Bill of Material

ITEM	DESCRIPTION	MATERIAL	AFL OR DWG. NO.	REQ'D	REMARKS
1	Shield Wire Support Bracket	Galvanized Steel	SFOSB-WP-14	1	14" Bolt, 0.63" (16 mm) Dia.
2	Y-Clevis Clevis 90°	Galvanized Steel	YCC-90	1	Pin Dia. = 0.75" (19 mm)
3	Clevis Eye	Galvanized Steel	CE-SC	2	
4	Yoke Plate	Galvanized Steel	SUMEYP	1	
5	Double Suspension (incl.)	Aluminum	ODSME XXX/XXX	1	

Accessories enlarged for clarity

OPGW Double Suspension Steel Pole/Vang Configuration Assembly

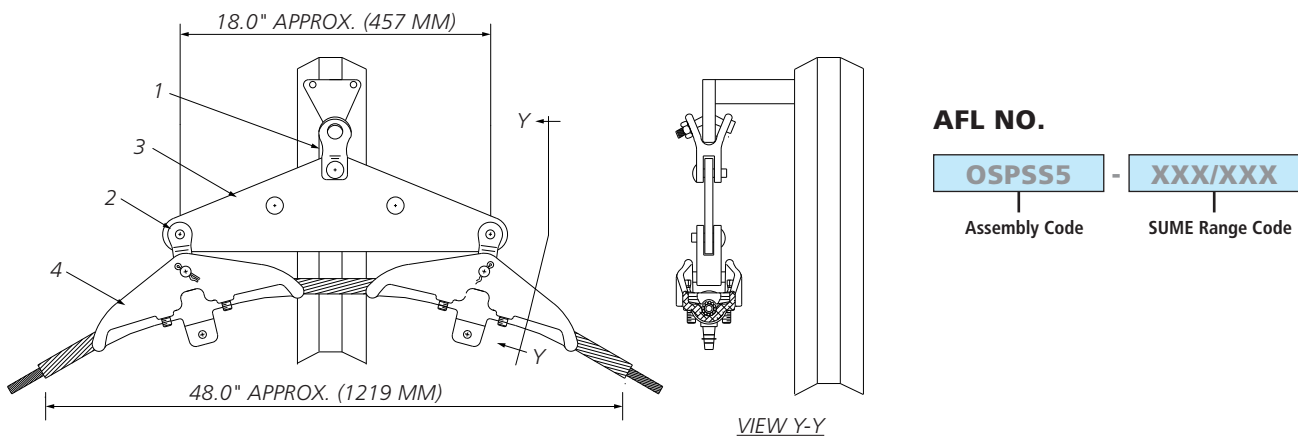


AFL NO.

OSPSS4 - **XXX/XXX**
 Assembly Code SUME Range Code

Bill of Material

ITEM	DESCRIPTION	MATERIAL	AFL OR DWG. NO.	REQ'D	REMARKS
1	Y-Clevis Clevis 90°	Galvanized Steel	YCC-90	1	Pin Dia. = 0.75" (19 mm)
2	Clevis Eye	Galvanized Steel	CE-SC	2	
3	Yoke Plate	Galvanized Steel	SUMEYP	1	
4	Double Suspension (included)	Aluminum	ODSME XXX/XXX	1	



AFL NO.

OSPSS5 - **XXX/XXX**
 Assembly Code SUME Range Code

Bill of Material

ITEM	DESCRIPTION	MATERIAL	AFL OR DWG. NO.	REQ'D	REMARKS
1	Y-Clevis Clevis	Galvanized Steel	YCC	1	Pin Dia. = 0.75" (19 mm)
2	Clevis Eye	Galvanized Steel	CE-SC	2	
3	Yoke Plate	Galvanized Steel	SUMEYP	1	
4	Double Suspension (Included)	Aluminum	ODSME XXX/XXX	1	

Accessories enlarged for clarity