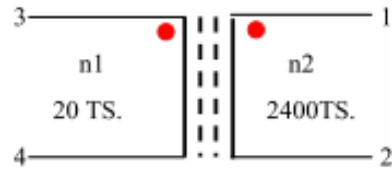
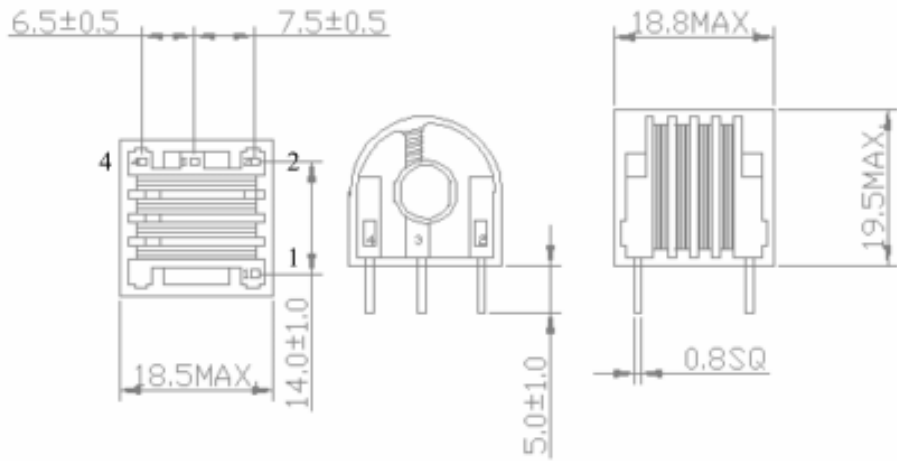


UNIT:m/m



Marking  
 INV97036 - JC97036  
 HVT ww yy

Specification		Condition
Ln1 Pri (P3-P4)	12.0uH +/-20%	1.0kHz
Ln2 Sec (P1-P2)	132mH +/-20%	
DCR Pri (P3-P4)	120mΩ	Max
DCR Sec	625Ω	Max
Withstand Voltage	3kV	
Ratio	1:120	
Operating Temp	-40 to +120 Deg C	
Breakdown	7kV/mm min	
Materials		
Case	Factory Standard	
Bobbin	TR04-S007	
Core	R 6.35 x 15	
Wire	n1 0.4Ø2UEW, n2=0.06 1UEW	
Winding Direction	CW	
Epoxy	5002A & 5002B Clear	
Flammability	UL94V-0	
Marking	INV97036-AIT97036 -JC97036 (Specify) Production Code ww-yy	

Proprietary and Confidential The information contained in this drawing is the sole property of AiT Components Ltd. Any reproduction in whole or part without the written permission of AiT Components Ltd. is strictly prohibited	AiT Components Ltd.		
	<a href="http://www.aitcomponents.com">www.aitcomponents.com</a>		
	Drawn	GKR	Title INV97036
	Checked	th	
	Customer Part No		
Unless otherwise specified dimensions are in millimetres	Issue	Rev	
Do Not Scale Drawing	A	01	