



AKKRON[®]

BRASS COMPANY

2013 INNOVATIONS BROCHURE



Akron Brass Innovation

Akron constantly strives to improve the tools you use to perform your duties serving those most in need. To this end, our commitment is to the constant stream of new and innovative products delivered to the marketplace. Following are a few of our most recent innovations.



AKRON
BRASS COMPANY

Tested... Proven... Trusted.





HydroFX™

The patent pending HydroFX flow indicator is the latest innovation in handline nozzle accessories, taking firefighter safety to the next level. The HydroFX is a flow indicating device incorporated onto handline nozzles providing immediate water flow awareness. When on the frontline, the nozzle user visually can see when water flow levels have reached a low or potentially dangerous condition.

Located directly on the shutoff of an Assault™ nozzle, the brightly lit LED display indicates if you have adequate flow by displaying a red (low), yellow (below desired) or green (at desired flow) indicator light. The first of its kind, the HydroFX is compact, lightweight and reliable in the monitoring of water flow.

The HydroFX is customizable to your department's needs by having user programmable control over the threshold values for the three flow indicated settings. The design has also been optimized to retrofit onto existing 1 ½" or Mid-Range Assault nozzles.

Features:

- Flow indication enhancing the firefighters flow awareness and increasing user safety
- Water flow knowledge at the hands of the handline operator
- Bright LED indicator lights for easy visibility in extreme firefighting conditions
- Sleek low profile design doesn't add excessive bulk or weight to the nozzle
- Automatically turns ON when it senses water pressure in the nozzle
- Goes into sleep mode when not in use to conserve battery life
- Battery check function uses the LEDs to notify of low battery
- Easy to change "AAA" lithium batteries providing 40+ hours of continuous operation
- Departments can determine their own flow indication requirements

Specifications:

- Available on all 1 ½" or Mid-Range Assault nozzles
- Red, Yellow, Green flow indicator lights
- User customizable flow indicator set points
- No recalibration needed
- Retrofit to any current 1 ½" or Mid-Range Assault nozzle

How to Order:

- Simply specify your choice of 1 ½" or Mid-Range Assault style and add the suffix "FX" to Assault nozzle ordered. For Example: Style 4820FX
- Style 0120 - Retrofit Kit for any current 1 ½" or Mid-Range Assault nozzle



Style 4820FX Nozzle



Avenger™ Nozzles

STYLE 1616, 1615, 4116 & 4115

The patent pending Avenger series of handline nozzles combine years of designing and manufacturing experience with superior performance and dependability; all at an unbeatable value. Available in selectable and fixed gallonage, the Avenger global platform offers great stream quality and a simple design. Durable, reliable and affordable, the Avenger.

Styles 1616 and 1615, Avenger SG, is a selectable or constant gallonage nozzle (flow remains the same in all patterns) with various flow settings for frontline flow control. Styles 4116 and 4115, Avenger FG, is a fixed or single gallonage nozzle offering a variety of pressures with the simplicity of a fixed orifice.

Features:

- Lightweight fog and straight stream nozzle with multiple fixed or constant gallonage settings
- Great stream performance
- Raised lug on the bumper for easier pattern identification
- Multiple pattern detents
- Integrated control ring does not require you to flush the nozzle without shutting down
- Quick change pattern adjustment (90 degrees of rotation from Straight Stream to Full Fog)
- Easy to operate with simplified nozzle training
- NFPA Compliant
- Meets European CE Standard (Must Specify)
- 5 Year Warranty



STYLE 1616

Style	Description	Swivel Inlet	Length	Weight lbs. (kg)	Flow Setting	
					GPM	LPM
1616	1 1/2" Avenger SG nozzle with pistol grip & spinning teeth	1 1/2" or 2 1/2" (38 or 65 mm)	10 1/2"	4.3 (2 kg)	30-60-95-125-150	115-230-360-475-550
1615	1 1/2" Avenger SG nozzle with spinning teeth	1 1/2" or 2 1/2" (38 or 65 mm)	10 1/2"	4.3 (2 kg)	30-60-95-125-150	115-230-360-475-550
4116	1 1/2" Avenger FG nozzle with pistol grip & spinning teeth	1 1/2" or 2 1/2" (38 or 65 mm)	10 1/2"	4 (1.8 kg)	See Avenger FG Pressure and Flow charts below	
4115	1 1/2" Avenger FG nozzle with spinning teeth	1 1/2" or 2 1/2" (38 or 65 mm)	10 1/2"	4 (1.8 kg)		

Avenger FG Pressure & Flow Options								
Nozzle PSI	60 @ 75	60 @ 100	95 @ 75	95 @ 100	125 @ 75	125 @ 100	150 @ 75	150 @ 100
50	49	42	78	67	105	88	122	106
75	60	52	95	82	125	108	150	130
100	69	60	110	95	144	125	173	150

Akrochem™ 1250 or 2000 GPM Nozzles

STYLES 4039, 4040, 4041, and 4042

Akrochem nozzles give you the flexibility of both dry chemical agent and foam solution or water applications. This versatile nozzle combines the effective reach of an automatic with the capability to deliver dry chemical agent at rates up to 20 lbs. (9 kg) per second. It is also designed for flowing water or foam solutions up to 2000 gpm (7600 lpm) at an operating pressure of 100 psi (7 bar).

Features:

- High flow potential for fast effective fire knockdown
- Automatically adjusts to varying flows to maintain a constant inlet pressure and optimized reach
- Projects a dry chemical through the center of the foam solution/water stream
- Low fallout, hard hitting stream for excellent reach and penetration
- Electric or manual pattern control
- Rugged lightweight Pyrolite material for easy handling and reliable service
- Compact lightweight design without compromising performance



Style 4040

Style	Material	Pattern Control	Flow		Inlet	Voltage	Length	Weight lbs. (kg)
			GPM	LPM				
4039	Pyrolite	Manual	250-1250	950-4800	2-1/2" or 3-1/2" (65 or 89 mm)	-	11-1/2" (292 mm)	11 (5)
4040	Pyrolite	Electric	250-1250	950-4800	2-1/2" or 3-1/2" (65 or 89 mm)	12 or 24 Volt	11-1/2" (292 mm)	11.5 (5.2)
4041	Pyrolite	Manual	750-2000	2900-7600	3-1/2" (89 mm)	-	13-3/4" (349 mm)	17 (7.7)
4042	Pyrolite	Electric	750-2000	2900-7600	3-1/2" (89 mm)	12 or 24 Volt	13-3/4" (349 mm)	17-1/2 (7.9)

Straight Stream at 3% AFFF			
Style	Flow Rate gpm (lpm)	Effective Reach ft (m)	Overall Reach ft (m)
4039, 4040	250 (950)	155 (47)	165 (50)
	500 (1900)	168 (51)	178 (54)
	750 (2900)	205 (62)	215 (65)
	1000 (3800)	222 (68)	232 (71)
	1250 (4800)	232 (71)	242 (74)



Akrofoam™ 2000 GPM Nozzle

STYLE 4478

The Akrofoam is a self-educing master stream nozzle designed for foam solution flows up to 2000 gpm (7600 lpm). This is the perfect combination of a nozzle and eductor all-in-one nozzle allowing it to be attached to any existing fixed, portable or deck mounted monitor. When you need to go to foam operations, simply connect the pickup hose to your foam supply. The Style 4478 provides superior stream performance with outstanding reach. Using a manual pattern control, the nozzle can go from a straight stream to fog pattern in seconds.

An optional foam orifice plate storage cup, located directly on the nozzle, ensures that you have access to the plates for quick adjustments to the foam flow rates. The Style 4478 is one of the most efficient and effective nozzles for AFFF firefighting.

Features:

- All-in-one nozzle with built-in eductor
- User adjustable from straight stream to wide fog nozzle
- Spring loaded baffle quickly changes your flow setting with a simple push and turn of the baffle head
- Percentage of foam concentrate is easily set with an interchangeable orifice plate
- A set of calibrated foam orifice plates is included
- Made from durable, lightweight Pyrolite® material
- Pickup hose available in 10' (3m) or 40' (102 cm)
- NFPA 1901 and 1964 compliant
- Optional quick connect, adjustable metering head
- Optional foam orifice plate storage cup conveniently holds plates when not in use

Style 4478



Style	Material	Pattern Control	Flow at 100 PSI (7 bar)		Pick up rates 1% & 3%		Pick up rates 6%		Inlet	Length	Weight lbs. (kg)
			GPM	LPM	GPM	LPM	GPM	LPM			
4478	Pyrolite	Manual	750, 1000, 1500, 2000	2900, 3800, 5700, 7600	750, 1000, 1500, 2000	2900, 3800, 5700, 7600	750, 1000	2900, 3800	3-1/2" NH (89 mm)	13-3/4" (349 mm)	17.4 (7.8)

4478 Akrofoam™ 2000 GPM Nozzle

Elevation	Straight Stream Water only			Straight Stream 3% AFFF		Straight Stream 3% AR AFFF	
	Flow Rate gpm (lpm)	Effective Reach ft (m)	Overall Reach ft (m)	Effective Reach ft (m)	Overall Reach ft (m)	Effective Reach ft (m)	Overall Reach ft (m)
32°	750 (2900)	200 (61)	210 (64)	170 (52)	180 (55)	185 (56)	195 (59)
	1000 (3800)	235 (72)	245 (75)	210 (64)	220 (67)	210 (64)	220 (67)
	1500 (5700)	290 (88)	300 (91)	250 (76)	260 (79)	260 (79)	270 (82)
	2000 (7600)	315 (96)	320 (98)	260 (79)	270 (82)	280 (85)	290 (88)



Akron Brass Innovation

StreamMaster II Monitor 2000 GPM (7600 LPM)

STYLE 3480

The Style 3480 StreamMaster™ II mid-range monitor represents the next level of innovation in monitor design technology from Akron Brass. With its multiple patent pending design, the Style 3480 provides efficient flows up to 2000 gpm (7600 lpm). The unique waterway design provides balanced forces on the outlet and reduced friction for the stream resulting in exceptional performance over a wide range of flows in a compact configuration. The standard absolute position sensors provide advanced features like programmable obstacle avoidance, oscillation, and stow/deploy positions. The onboard, fully sealed IP 67 CAN control system features “plug and play” installation with built-in wireless capability and a USB port for quick software updates in the field. The 355 degree rotation and 165 degree elevation range can be configured for deck or aerial applications making this high performance compact monitor truly universal.



Style 3480
Shown with 5178 Nozzle

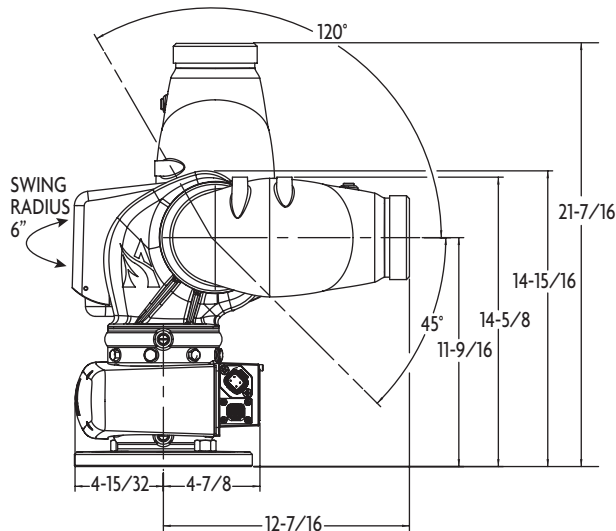
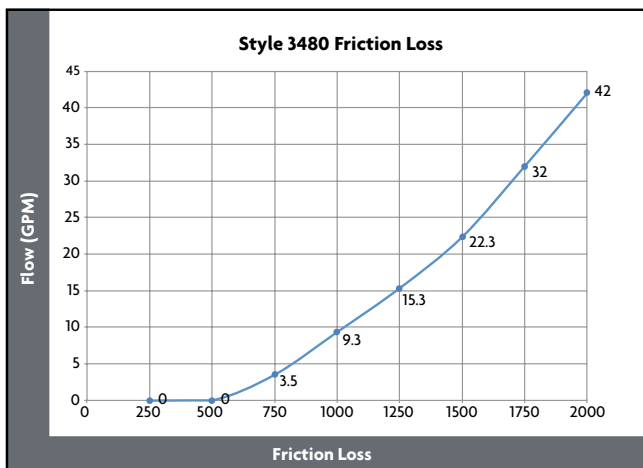
Features:

- Compact industry leading operating envelope (6", 152 mm)
- Lightweight Pyrolite construction
- Simple “plug and play” installation
- Integrated wireless compatibility, Utilizing the optional 3600 hand held remote control
- Waterproof (IP 67 rated) control system with locking connectors
- User Programmable Obstacle Avoidance
- User Programmable stow and deploy positions
- Superior Range of Motion
 - Rotation Range 355°
 - Elevation Range +120°, - 45°
- 12V or 24V operation
- Compatible with 3406 Electric Riser

Style	Weight lbs. (kg)	Height	Width	Depth	Inlet	Outlet	Flow	
							GPM	LPM
3480	40.7 (18.5 kg)*	15" (381 mm)	11 5/8" (295 mm)	12 1/2" (318 mm)	3" or 4" Flange (DN80 or DN100)	2 1/2" or 3 1/2" Male (65 or 89 mm)	2000	7600

NOZZLE OPTIONS

* Less nozzle





Apollo™ Electric Monitor 1250 GPM (4800 LPM) STYLE 3418

The Style 3418 Apollo Electric monitor is the latest innovation to the popular Apollo monitor product line. The Style 3418 provides a cost effective, fixed mount electric deck monitor solution with flows up to 1250 gpm (4800 lpm), integrated CAN based control system with fully sealed IP 67 rated connectors, and built-in wireless control capability. The Style 3418 has 355 degrees of horizontal travel and can be programmed to oscillate anywhere over the entire range. The Apollo Electric can be paired with the industry standard Style 5177 Akromatic 1250 fog nozzle or the unique Style 1577 SaberMaster combination smooth bore and fog nozzle as well as standard stacked tip sets or master stream foam tubes. The combination of innovation and versatility makes the Apollo Electric monitor an excellent choice for an entry level remote control fire monitor.

Features:

- Lightweight Pyrolite construction
- Simple “plug and play” installation
- Integrated wireless compatibility, Utilizing the optional 3600 hand held remote control
- Waterproof (IP 67 rated) control system with locking connectors
- Rotation Range 355°
- Elevation Range +75°, +35° (-20° optional)
- 12V or 24V operation
- Compatible with 3406 Electric Riser



Style 3418
Shown with 5177 Nozzle

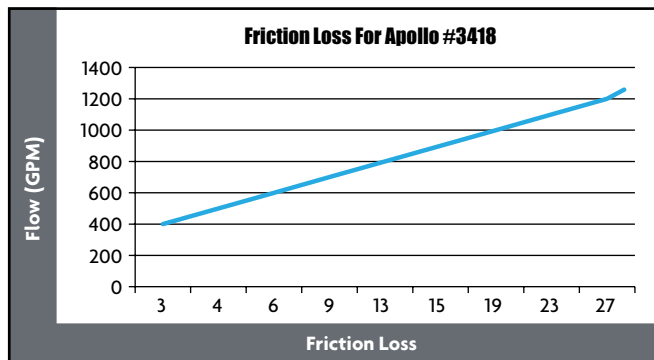
Style	Weight lbs. (kg)	Height	Width	Depth	Inlet	Outlet	Flow	
							GPM	LPM
3418	35 (16 kg)*	13 3/16" (381 mm)	11 5/8" (335 mm)	14 7/16" (368 mm)	3" Flange (DN80)	2 1/2" Male (65 mm)	1250	4800

* Less nozzle

NOZZLE OPTIONS



Style 2499 Style 2498 Style 3485 Mini Shaper Style 1577 SaberMaster Nozzle Style 5177 Akromatic 1250 Nozzle Style 4040



CAN CONTROL OPTIONS STYLE 3480 & 3418



Style 6041 CAN Tether Control

Style 3600 Wireless Remote Control

Style 6035 CAN Joystick

Style 6041 CAN Panel Mount Control

Style 6041 CAN Mini Joystick Control

Style 6036 Position Indicator

Apollo™ PE Monitor 1250 GPM (4800 LPM)

STYLE 3419

The Apollo PE (portable electric) is the newest addition to the Apollo portable monitor product line. The 3419 has flow capabilities of 1250 gpm (4800 lpm) with a self-contained battery and electronic control system. The Apollo PE offers motorized rotation, elevation, and nozzle pattern control. Programmable oscillation from 0-180 degrees in portable mode, 0-355 degrees in truck mode and RF wireless remote control are key features that allow for operation from safe distances using less manpower in fire or Haz-Mat situations. This robust monitor also features a smart ground mode configuration system which automatically positions the monitor for ground base installation. A quick change battery system allows for extended run times and is compatible with 12 or 24 volt systems.

Features:

- Flow capabilities of 1250 gpm (4800 lpm)
- Completely sealed, waterproof connectors
- Programmable oscillation
- Integrated and sealed electronics
- RF wireless control
- 12V or 24V compatible in one unit
- Quick change rechargeable battery system for truck and portable applications
- Simple “plug and play” installation
- Uses standard Apollo ground bases

Additional Options:

- Style 6045 - Spare battery with storage/charging kit



Style 3419
Shown with 5177
1250 gpm Nozzle

NOZZLE OPTIONS



Style 2499

Style 2498

Style 1577
SaberMaster
Nozzle

Style 5177 Nozzle

Style 3485

CONTROL OPTIONS



Style 3600
Wireless Remote

Style 6035
CAN Joystick

Style 6041
CAN Panel Mount
Control

Style 3419
Direct Mount
Flange

Style	Weight lbs. (kg)		Deck Height	Deck Width	Deck Depth	Inlet	Outlet	Ground Flow		Deck Flow	
	Liftoff	Ground Base						GPM	LPM	GPM	LPM
3419	45 (20.5 kg)*	Single Inlet 38 1/2 (17.5 kg)*	13" (331 mm)	15" (381 mm)	18 3/8" (467 mm)	Single Inlet 3 1/2" - 5" F (89-125 mm) 4", 5" STORZ (100, 125 mm)	2 1/2" Male (65 mm)	Single Inlet 1000	Single Inlet 3800	Single Inlet 1250	Single Inlet 4800
		Dual Inlet 32 (14.5 kg)*				Dual Inlet 2 1/2" or 3" F (65 or 75 mm)		Dual Inlet 800	Dual Inlet 3030	Dual Inlet 1250	Dual Inlet 4800

* Less nozzle





Navigator™ Pro Controller

STYLES 9323 & 9325

The Navigator Pro Valve Controller is the latest in the lineup of Akron Brass valve control innovations. Completely reinvented, it is packed with user friendly features that improve operation effectiveness and safety. With two styles to choose from, it can be used as a basic controller Style 9323, or installed as an integrated controller with a pressure and flow sensor and CAFS control Style 9325. In addition, all actuators now have true position feedback with user programmable presets. All of these features are displayed on a high visibility, full color LCD screen. All valve controllers are fully NFPA 1901 compliant.

Features:

- Full color LCD display that does not wash out in bright sunlight and visible from all angles
- True position feedback from the valve
- User programmable presets: Easy to configure for the first time and then to activate on the fire scene to quickly charge a line or get the right CAFS mixture
- CAFS integration: Turn CAFS on and off from a foam lines interface (Style 9325 only)
- USB port on-board: Software for display and motor driver can be easily updated via USB flash drive
- CAN networked: System communicates using standard J1939 CAN protocol allowing for flexible networked installations where needed



STYLE 9323 Electric Valve Control



STYLE 9325 Navigator Valve Control



Optional color indicators available in standard NFPA 1901 specified colors. Available on Styles 9323 and 9325.



Akron Brass Innovation

SceneStar™ LED Scene Light

ELSS-SLDC, ELSS-XLDC & ELSS-XLAC

Operating in the dark is difficult and dangerous. Scene lighting is essential for night operations and helps emergency responders spot hazards, creating safe work environments. Akron Brass is committed to protecting those who protect us by presenting a complete line of LED scene lights.

The SceneStar family of products is the premier LED scene light for improving overall area scene coverage and providing ultra-bright, natural white light. Packed with performance features, the SceneStar can be customized to meet your specific application. From generator light kits to apparatus mounted lights to cord reel lights, Akron Brass delivers the most options for your lighting solutions.

Features:

- Choose from models delivering up to 20,000 lumens!
- Whiter light closer to natural daylight
- Overall scene & work area illumination
- Combination spot/flood
- Low operating temperature
- Streamlined aesthetics in compact design
- White powder coat paint (black optional)
- Instant On/Off
- Designed for Long LED life (50,000+ hrs.)
- Optimized thermal management
- Zero maintenance
- AC and DC versions



ELSS-XLAC

Light Head	Bulb Type	Wattage	Voltage	Amps	Lumens / Candle Power	Certifications	Light Head Dimensions	Weight
ELSS-SLDC	LED	150	10-32 V DC	12 (12 V DC) 6 (24 V DC)	14,000	CE	14" W x 4 1/4" H x 5.6" D (356 x 108 x 142 mm)	10 lbs. (4.5 kg)
ELSS-XLDC	LED	220	10-32 V DC	18 (12 V DC) 9 (24 V DC)	19,000			
ELSS-XLAC	LED	220	120 AC	1.8	20,000	UL, ROHS		
ELSS-XLAC2	LED	220	240 AC	.9	20,000	CE, ROHS		

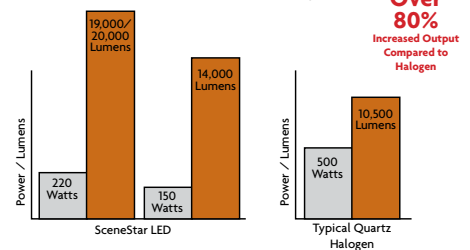
SceneStar™ (220W)



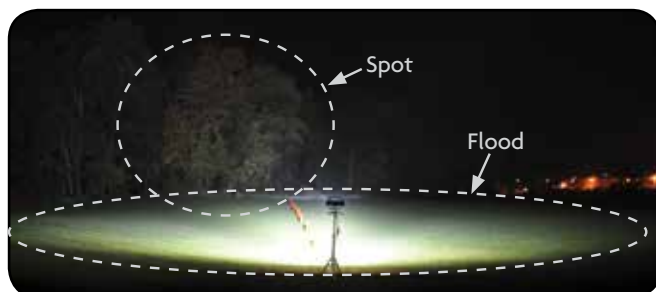
Quartz Halogen (500W)



Brighter White Light Using Less Power
SceneStar LED Vs. Quartz Halogen



LED's are more efficient and provide more light!



The SceneStars engineered reflector provides spot and flood capabilities



Wide horizontal and vertical flood pattern to maximize scene coverage



LED Cab Dome Lamp

8220

Truck OEM qualified LED interior dome lamp. Lamp exceeds SAE and abusive heavy-truck performance and durability requirements. Lamp is designed to illuminate cab interior with broad illumination pattern and consistent color temperature. Snap-in design and integral connector plug provide rapid installation to headliner and clean look with no visible fasteners.

Features:

- Lamp utilizes six white mid-power LEDs, providing 220 lumens of effective illumination
- Automotive-grade LEDs are used to provide life-of-the-vehicle service
- Custom engineered lens system directs light efficiently while providing an aesthetically pleasing appearance
- Integral connector provides reliable interconnect with vehicle harness
- Snap-in mounting design eliminates the need for unsightly fasteners



8220-0100-30
LED 4" Work Lamp, Flange Mount

LED Accent Lamp with Switch Control

8280

Truck OEM qualified LED compartment lamp. Lamp exceeds SAE and abusive heavy-truck performance and durability requirements. Lamp is designed for interior cabinet/compartment illumination with broad illumination pattern and consistent color temperature. User can control lamp operation by pressing lens. Snap-in design and integral connector plug provide rapid installation and clean look with no visible fasteners.

Features:

- Lamp utilizes two white mid-power LEDs, providing 70 lumens of effective illumination
- Automotive-grade LEDs are used to provide life-of-the-vehicle service
- Lamp is operated by push-button switch in the lens or by a remote switch in the vehicle
- Integral connector provides reliable interconnect with vehicle harness
- Snap-in mounting design eliminates the need for unsightly fasteners



8280-0100-30
LED Accent lamp with switch

LED Combination Lamp

2350

Truck OEM qualified LED rear combination stop, tail, turn, backup, and license lamp with reflex reflectors. Lamp exceeds DOT, SAE, and abusive heavy-truck performance and durability requirements. Next generation styling offers lower profile and reduced overall depth in a fully sealed package.

Features:

- Combination stop, turn, tail, back-up and rear reflex in a single unit; License plate function available
- Lamp utilizes automotive-grade LEDs for life-of-the-vehicle service
- Scratch-resistant acrylic lens and rugged PC/ABS housing insure reliable operation
- Integral, sealed connector provides reliable interconnect with vehicle harness
- Marine-grade stainless steel mounting bolts are located on industry standard centers

Models:

- 2351-0100-00, LED rear combination lamp with license function
- 2352-0100-00, LED rear combination lamp without license function



8051 Series 8" Recessed Low Profile Interior Dome Lamp

8051

The ultra slim 8051 series LED light features a low profile design with integrated cooling fins. Protruding less than 3/16" (4.8mm) below the headliner, the low profile dome light frees up valuable headroom space. The unique cast housing design improves cooling performance providing additional light, excellent lumen stability, and longer operational life. With an incredible 1,600 lumens, this unique lamp distributes light evenly and consistently throughout the entire working space.

Many features have been integrated into the 8051, putting it at the top of its class. This lamp is engineered to illuminate the entire working area efficiently and consistently, giving the EMTs the exact light they need.

Features:

- Wide beam angle for excellent illumination throughout the working area; including cot, floor, and compartments
- The low profile shape moves the LEDs closer to the lens surface for increased lighting of upper compartments
- High and low brightness or PWM operation to dim light from high setting
- Die cast housing with unique styled heat-sinking keeps LEDs running cooler which equals brighter and longer life
- Diffused lens for "soft" illuminated appearance
- Ultra low profile, flush mount design; minimum protrusion (3/16" or 4.8 mm) into working area
- Slim pan depth (11/16" or 17.5 mm) allows for more room to run wires, insulation, etc. in the headliner
- Rugged die cast aluminum construction; built-for-life
- 10-32VDC Operating Range
- 4100k color temperature for excellent rendering of skin tones
- Meets GSA-KKK and NFPA 1917 standards for illuminations
- Accommodates 8046, 8047 and 8049 hole dimensions
- 5 year warranty



8051-0000-30

Order Nos.	Description	Amp Draw
8051-0000-30	Low Profile LED Recessed Dome Lamp	High = 2.1A @ 12V, 0.9A @ 24V Low = 0.5A @ 12V, 0.25A @ 24V

Supplemental Warning Light Kit

3200-0000-13

Introducing the next generation in school bus lighting: An auxiliary warning light that provides districts with a must have safety option. Developed with Ohio transportation officials, highway patrol, and school districts to reduce stop arm violations, the kit positions supplemental LED warning lamps at bumper level on the bus (fore and aft) to provide an attention demanding signal that is more perceptible to a distracted motorist than the standard 8 lamp system alone. The system was extensively field tested by districts across Ohio and is accepted by the State Patrol.

Features:

- Supplemental LED lights provide increased safety when loading and unloading students
- Reduces the number of illegal passers
- Lights are active when stop arm is deployed enhancing driver visibility
- Easy to install
- Complement to the national standard for school bus lighting FMVSS-108
- Approved as a safety option by the State of Ohio Highway Patrol



3201-0000-13
Red/White
Supplemental
Warning Light



3200-0000-13
Light Kit



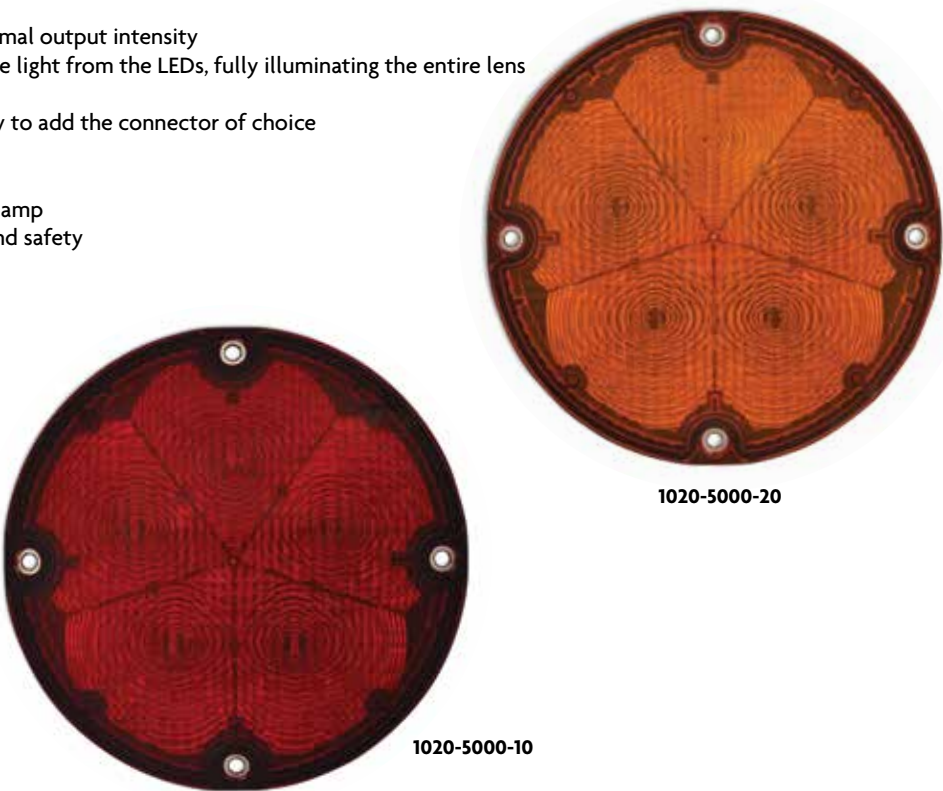
1020-5000 Series LED Warning Light

1020-5000

Weldon introduces a new high-brightness LED Warning Light which combines advanced electronics and efficient optical elements. The warning lamp includes five state-of-the-art high power LEDs that project an intense signal. The 1020-5000 Series light provides industry leading thermal management, low current draw and lower long-term cost than ordinary lights.

Features:

- Utilizes 5 high-power LED's for optimal output intensity
- Dual lenses efficiently distribute the light from the LEDs, fully illuminating the entire lens
- Low amp draw
- Standard lead wires allow flexibility to add the connector of choice
- Exceeds SAE J887 requirements
- DOT (FMVSS108) compliant
- Strobing and standard flash in one lamp
- Instant on for improved visibility and safety
- No switch mode regulation
- No radio interference
- 5 year warranty



LED Work Lamp

8270-0100-30

This OEM approved LED work lamp features four mid-power LED's, providing 120 lumens of brilliant white light. The engineered optics focus the light downward onto the work area. Lamp mounting points include nickel plated brass bushings to provide durable installation to the vehicle. Lens and base are vibration welded and electronics are potted to ensure years of worry-free service. Lamp fits standard 4" round flange mount applications - great for heavy truck hook-up work areas. Also works great as a bus loading lamp around entry/exit doors. Standard equipment on Navistar ProStar (R).

Features:

- Utilizes 4 mid-power LED's for optimal output intensity
- Highly engineered optics placing light where it is most needed
- Completely sealed electronics
- Vibration welded lens and base
- 12V operation



8270-0100-30

Order Nos.	Description	Amp Draw 12V
8270-0100-30	LED Work Lamp	.18
0K90-3101-00	2 wire plug	

8250 Series, LED Swivel Reading Lamp

8250-0100-30

This lamp features two mid-power white LED's to provide 100 lumens of light output. The convex lens optic efficiently focuses the light onto the target reading surface. The lighthouse swivels, allowing the user to position the light beam toward the desired location. The lamp features a prominent ON/OFF switch for easy activation in low-light conditions. The lamp has an integral connector to enable a reliable connection to the vehicle harness.

Features:

- 100 lumen total light output
- Adjustable swivel lighthouse
- Prominent ON/OFF switch
- 12V operation

Order Nos.	Description	Amp Draw 12V
8250-0100-30	LED Swivel Reading Lamp, Medium Gray	.1
OK90-3187-00	Plug Assembly, 2-Wire	



8250-0100-30

Navigation GPS

6555-0000-00

The Weldon Navigation GPS has easy to use menus and is a Windows CE product we adapted to be a solid Navigation product to interface with the Vista Displays. Easily updated using the supplied SD Card from the GPS unit. New updates can be downloaded from your PC.

Features:

- Simple to use
- Interfaces with the Vista touch (III and IV)
- Replaces the Garmin GVN-53
- Practically drop in (same pin-outs on the Vista)
- Cost effective
- Fast performance
- Louder speaker



Speaker

GPS Unit

Antenna



Download App Updates



Screen Shot



Map Screen Shot



Seat Belt Warning System

6204-0014-01 & 6204-0024-01

The Seat Belt Warning System addresses your safety concerns. Designed to alert the driver, the Seat Belt module will indicate when restraints of occupied seats are properly fastened keeping personnel safe. The 6204 Series meets NFPA 1917 requirements for your ambulance. Simple & reliable, the Seat Belt Warning System is based on the patented and proven V-MUX® multiplexing technology.

Features:

- Low profile, compact size
- Supports commercial and custom cab seating layouts; up to 10 seats
- Dimming feature adjusts indicator intensity to synchronize with dash lights
- Integrated door open indicator
- Built-in audible alarm will sound when Seat Belt Indicator display is red & parking brake is released
- Choose from display with door and warning ICONS or just seats
- Standard 4 year warranty
- Use the 6020 node as an entry point system - update to the optional 6444 Vehicle Data Recorder (VDR)

6020 or 6444 Series Modules:

The 6020 or 6444 nodes can accommodate up to 7 seat positions, master warning switch, and parking brake. The inputs can be configured within the SystemDesigner® software. More seats/inputs can be added by including another module.



6204-0014-01



6204-0024-01



6020-0000-00
Meets your NFPA 1917 needs



6444-0000-00
Meets your NFPA 1901 needs

NFPA 1917 & 1901 COMPLIANT

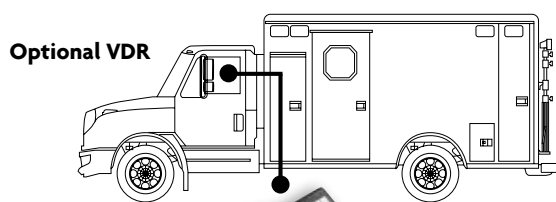


6241 Series Vista IV
Software configured Occupant Status Display can be viewed on your Vista saving you valuable dashboard space.

- Green indicates seat restraints are properly fastened
- Red flashing indicates unbuckled or improperly buckled seat restraint
- Not illuminated indicates a vacant or unoccupied seat



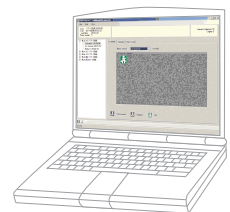
Audible Alarm



Optional VDR



Dual CAN Ports



Data is extracted by a standard, mini USB cable (included) and plugs directly into your computer.

Vista IV Display

Control your lighting and HVAC with the full color Vista IV display. Now offering new features including: Optional Touch Screen with buttons, 800 x 480 resolution, Four Video Ports, Firmware update by USB. This display has a wide operating temperature range, Automatic Screen Switching in response to current conditions, Sleep Mode option to eliminate night glare. Available in panel mount or 6" arm mount.

Features:

- Touch screen option
- 800 x 480 resolution
- Four video ports
- Flash updates with USB memory stick
- Operates in 12V and 24V applications
- Virtual switches
- Display inside and outside temperature
- Automatic climate control
- 100% configurable (OEM level)
- Field re-programmable
- Peer to peer network
- On-board diagnostics / service information
- Colors change to indicate button status
- Improved sunlight readability
- Video ready for:
 - Backup camera / Thermal cameras
 - DVD
 - GPS



Touch Screen Option
Now Available!



6241-0130-00 Panel Mount with Bezel

Model Number Configuration Guide

624 **A** - **B** **C** **D** **E** - **X** **X**

- A= Cable Accessory (1 = none; 2 = 6" Video Pig Tail; 3 = 10" Pig Tail)
- B= Legend Button Colors (0=Red/Blue/Green; 1=Green/Blue/Green)
- C=Touch Screen Capable (0=No; 1=Yes)
- D=Finish/Enclosure (1=Standard) 2 = Sealed, 3 = Bezel, 4 = DIN
- E=Mounting Method (0=Panel Mount; 1=6" Arm Mount) 2 = Open, 3 = Open, 4 = Dash
- XX=Legend Label (Contact your Akron Brass Sales Rep for a current list of available legends)



DIN Kit

Order Nos.	Description
6241-0010-00	Standard Vista IV, replaces Standard Vista III
6241-0110-00	Standard Vista IV with Touch
6241-0115-00	Rear Panel Mount Replacement For ON30-2391 & ON30-2392-00
6241-0144-00	DIN Dash Ford (F150-550 & E-Series)
6241-0144-02	DIN Dash Chevy/GMC
6241-0144-03	DIN Dash Sprinter Vans
6241-0144-04	DIN Dash Dodge RAM
6241-0130-00	Vista IV Touch Only with Bezel, Panel Mount
OK90-2310-00	Vista IV Connector Kit
OL40-2806-00	Video Pigtail (4 RCA Jacks) 6" Long
OL40-2806-01	Video Pigtail (4 RCA Jacks) 10" Long

Be sure to order 6242 or 6243 models if you want to use the Video option, these models include the OL40-2806-00 or -01 Video Pigtail.



Flash Updates with
USB memory stick

Technical Specifications:

Operating Voltage	9-32v (12 or 24V)
Operating Temperature	-40°C to +85°C
Electrical Protection	Load dump, jump start, reverse polarity, ESD, EMI/RFI
Real-time Clock	Ten year retention
Mating Connector:	1: Comm. Hi, 2: Comm. Lo, Deutsch DT06-4S
Startup Time	< 3 seconds





HRT Pro

STYLE HRT P

The HRT Pro advanced personal hand tool bridges the gap between small pocket sized and large heavy tools. This unique tool can be used as an axe, hammer, spanner wrench, pry bar, gas shutoff, door stop, glass cutter, and more. HRT Pro is made in the USA with the highest-grade materials and workmanship. Also available is an optional heavy-duty leather sheath and carrying strap.

Features:

- Multipurpose tool head
- Resharpenable axe
- Built-in hammer and nail puller
- Rugged fiberglass handle
- Heat treated steel construction
- Rust resistant finish
- Weight: 2.3 lbs. (1 kg)
- Optional Leather Sheath (includes carrying strap)



Hose Hoist

STYLE 583

Akron's Hose Hoist is great for raising or lowering hose to and from the roof, through windows, over fence, or around many obstacles. It is very handy on steel anchor fences; place it over the top of a fence and use it to roll the hose freely in either direction. This tool will keep your hose safe from snags and tearing as you move it to where you need it. This hose hoist, weighing 7 1/8 lbs. (3.4 kg) is lightweight, comes with a tie down hook, and is a basic engine and truck company tool.

Features:

- Ideal for protecting your hose in potentially damaging fire ground situations.
- Akrolite construction
- For raising or lowering hose to and from the roof or through windows, over fence, or around many obstacles
- Lightweight at 7 1/8 lbs. (3.4 kg)
- Includes a tie down hook



Wynn Tool

STYLES Wynn-5D & Wynn-6D

Expanding the line of firefighting tools, the Wynn Tool is a variation of a pike pole developed specifically for pulling ceilings, especially when dealing with plaster lathe! It has a true chisel tip that can penetrate any wall or ceiling to gain leverage with no lack of strength. The Wynn Tool is available in either a 5 foot (1.5 m) or 6 (1.8 m) foot length with our heavy duty steel pole and D-Handle design. This innovative heavy duty tool is made with highest-grade materials and workmanship.

Features:

- Chisel tip
- Angled pike
- D-Handle
- Grip tape wrap

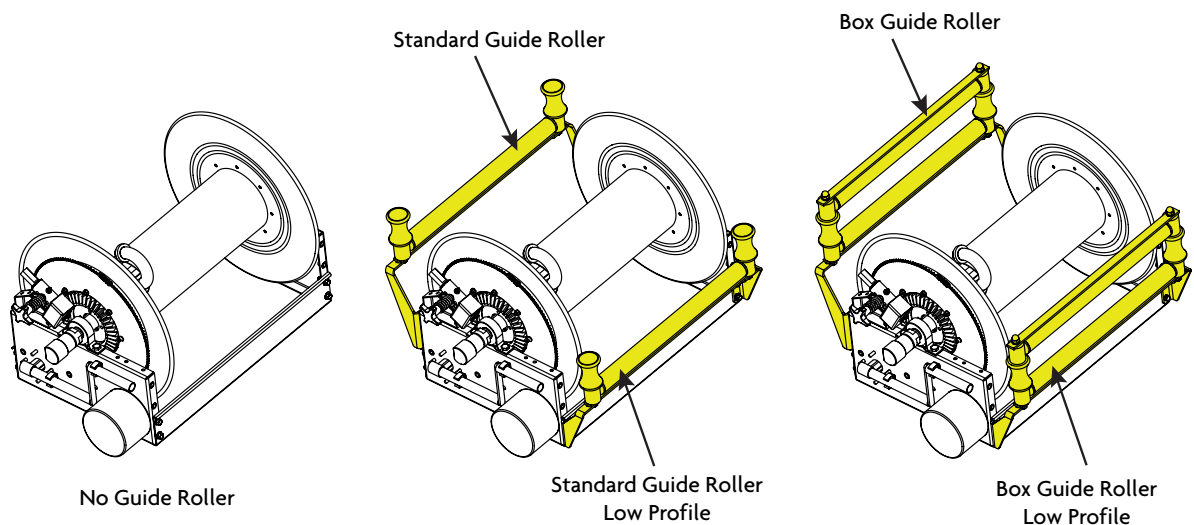


Enclosed Guide Rollers for Booster Reels

ERWB-GR-XX-YY-BX and ERWB-GR-XX-YY-BX-LP

Akron Brass is expanding the available options on Booster Reels. Now there is the option for an enclosed/box style guide roller to prevent the hose from jumping off the rollers. This new box style guide roller is available in both a low profile and standard configuration. These rollers will work on any of the 16 sizes of both the Electric Rewind and Manual Rewind Booster Hose Reels.

- Chrome plated spools and rollers
- Stainless steel hardware
- Powder coat finished frame
- 5 year warranty





WARRANTY AND DISCLAIMER*: We warrant Akron Brass products for a period of five (5) years* after purchase against defects in materials or workmanship. Akron Brass will repair or replace product which fails to satisfy this warranty. Repair or replacement shall be at the discretion of Akron Brass. Products must be promptly returned to Akron Brass for warranty service. We will not be responsible for: wear and tear; any improper installation, use, maintenance or storage; negligence of the owner or user; repair or modification after delivery; failure to follow our instructions or recommendations; or anything else beyond our control. WE MAKE NO WARRANTIES, EXPRESS OR IMPLIED, OTHER THAN THOSE INCLUDED IN THIS WARRANTY STATEMENT, AND WE DISCLAIM ANY IMPLIED WARRANTY OF MERCHANTABILITY OR FITNESS FOR ANY PARTICULAR PURPOSE. Further, we will not be responsible for any consequential, incidental or indirect damages (including, but not limited to, any loss of profits) from any cause whatsoever. No person has authority to change this warranty.

*Unless otherwise provided herein. Akron Brass industrial electronic components & the Severe-Duty Monitor have a one (1) year warranty. Select Akron Brass handline nozzles and valves carry a ten (10) year warranty. Weldon products have a two (2) year warranty from date of manufacture (excluding consumable components). Select Weldon LED products carry a five (5) year warranty. Honda products have the manufacturers' warranty and Akron Brass disclaims any warranty in respect of those products.



Akron Brass conforms with OHSAS 18000:2007 registered from Eagle Registrations Inc. This is to certify that Akron Brass is committed to the Occupational Health and Safety Management System. CERTIFICATE NO. 4374



Akron Brass is ISO 9001: 2008 registered from Eagle Registrations Inc. This achievement attests to our commitment of servicing our customers. CERTIFICATE NO. 3875





In U.S./International
Akron Brass Company
P.O. Box 86 | Wooster, OH 44691
PH: 330.264.5678 | Fax: 330.264.2944
Toll Free: 800.228.1161
Toll Free Fax: 800.531.7335
E-Mail: custserv@akronbrass.com
www.akronbrass.com

Weldon, a division of Akron Brass
3656 Paragon Drive
Columbus, Ohio 43228
PH: 614.529.7230 | Fax: 614.527.3547
Toll Free: 800.989.2718
www.weldoninc.com



Wooster, Ohio



Wooster, Ohio



Washington, Illinois



Dubai, Sales Office



Columbus, Ohio



Beijing, Sales Office



Columbus, Ohio