



# SIGN LIGHTER

Dual LED Straight Arm, Flat Canopy  
**INDOOR/OUTDOOR**

**S414L3**



Project: \_\_\_\_\_  
 Fixture Type: \_\_\_\_\_  
 Location: \_\_\_\_\_  
 Contact/Phone: \_\_\_\_\_

## PRODUCT DESCRIPTION

LED sign lighter that is adjustable to fit most sign lighting applications. Each complete Sign Lighter Kit includes: 16" fixture, 12" extension, 6" extension, integral driver, mounting hardware and instructions.

Sealed assembly for indoor or outdoor use • Easy to assemble, modular extensions • Each head will accept one lens accessory • Available in black or bronze powder painted finishes.

Canopy Diameter: 5"

## PRODUCT SPECIFICATIONS

### LED

**Lamp:** High Performance LEDs provide outstanding reliability, performance and color quality/consistency • 2700K, 3000K or 4000K white phosphor high performance LED • 80 CRI minimum

**Power Source:** Electronic driver 120V or 277V, 50/60Hz • Overcurrent and short circuit protection • FCC Part 15 Class B rated

### OPTICS

Field interchangeable optics • Available in four beam spreads – 12° Spot, 23° Narrow Flood, 34° Flood and 53° Wide Flood

### Mechanical

#### All Aluminum Construction

**Tubular Construction:** 1" Diameter inter-connected tubes, Kit includes lengths of 16"/22"/28"/34"

**Lamp Housing and Tube Support:** Available in Black or Bronze powder coated finish

**Adjustability:** 360° vertical aiming, 180° horizontal aiming and 360° horizontal rotation

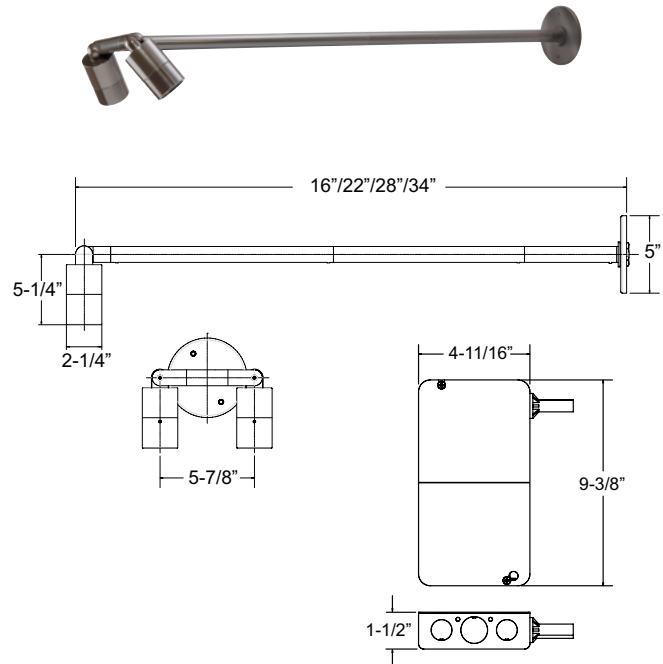
**Weather Resistant:** "O"-Ring weather resistant seals

**Mounting:** Fixture wall mounted on surface over J-box • Remote power supply suited for indoor only, recessed or surface mounting. Maximum remote distance is 3 ft.

#### Agency Approval

Listed for wet applications • Remote transformer Listed for damp locations UL1598/CSA C22.2 250 • Union made • Assembled in the USA • ENERGY STAR® Compliant

## DIMENSIONS



## Optical Accessories

Catalog #	Description	Catalog #	Description
<b>TIR-1-SP</b>	12° Spot TIR Optic	<b>T743</b>	Daylight Blue Color Filter
<b>TIR-1-NFL</b>	23° Narrow Flood TIR Optic	<b>T744</b>	Medium Blue Color Filter
<b>TIR-1-FL</b>	34° Flood TIR Optic	<b>T745</b>	Medium Amber Color Filter
<b>TIR-1-WFL</b>	53° Wide Flood TIR Optic	<b>T746</b>	Medium Green Color Filter
<b>T741</b>	Medium Pink Color Filter	<b>T7418<sup>1</sup></b>	Color Correction Filter
<b>T742</b>	Warm Red Color Filter		

<sup>1</sup> T7418 Corrects 3000K color to approximately 2700K, and 4000K to approximately 3400K.

Fixtures accept up to one accessory filter.

## ORDERING INFORMATION

Series	CCT	Beam Spread	Finish
<b>S414L3</b>	<b>2K</b> 2700K	<b>SP</b> 12° Spot	<b>BLK</b> Black
Double Head, 120-277V	<b>3K</b> 3000K	<b>NFL</b> 23° Narrow Flood	<b>BZP</b> Bronze
	<b>4K</b> 4000K	<b>FL</b> 34° Flood	
		<b>WFL</b> 53° Wide Flood	

# SIGN LIGHTER

Dual LED Straight Arm, Flat Canopy  
**INDOOR/OUTDOOR**

## S414L3

### PERFORMANCE DATA<sup>1</sup>

Catalog Number	Input Voltage	Watts (Typical)	CCT	Lumens	Efficacy (LPW)	Rated Life (Hours)
S414L3-2K-SP	120V	10W	2700K	885	89	50,000
S414L3-2K-NFL	120V	10W	2700K	840	85	50,000
S414L3-2K-FL	120V	10W	2700K	881	89	50,000
S414L3-2K-WFL	120V	10W	2700K	777	79	50,000
S414L3-3K-SP	120V	10W	3000K	984	98	50,000
S414L3-3K-NFL	120V	10W	3000K	933	93	50,000
S414L3-3K-FL	120V	10W	3000K	979	98	50,000
S414L3-3K-WFL	120V	10W	3000K	863	86	50,000
S414L3-4K-SP	120V	10W	4000K	1023	102	50,000
S414L3-4K-NFL	120V	10W	4000K	971	97	50,000
S414L3-4K-FL	120V	10W	4000K	1018	102	50,000
S414L3-4K-WFL	120V	10W	4000K	897	90	50,000

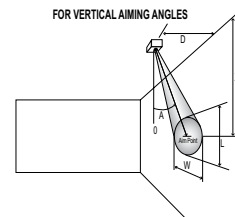
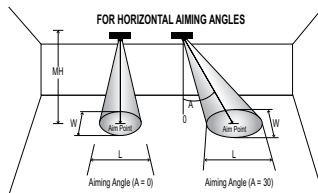
<sup>1</sup>Performance data, including Rated Life, is based on measurements of an individual head operating in a 25°C ambient.

### ELECTRICAL DATA

Input Voltage	120V
Input Current (max.)	0.185
Power Factor	>0.92
T.H.D.	<20%

**CBCP** • Centerbeam candlepower  
**FC** • Footcandles at beam center (aim point)

In vertical aiming applications, aim point (X) is determined by dividing distance from the wall (D) by the tangent of the desired aim angle (A) (0.5774 for 30°, 1.0 for 45°, 1.732 for 60°).



Lamp	Beam Type	Beam Spread	Rated Life	CBCP	0°				30°			45°				60°									
					MH	FC	L	W	FC	L	W	D	FC	X	L	W	FC	X	L	W	D	FC	X	L	W
S414L3-3K Spot	SP	12°	50000	10769	6	299	1.6	1.6	194	2.2	1.9	3	150	5.2	3.4	1.6	423	3.0	1.7	1.1	6	194	3.5	2.2	1.9
					8	168	2.2	2.2	109	2.9	2.5	4	84	6.9	4.6	2.2	238	4.0	2.2	1.5	8	109	4.6	2.9	2.5
					10	108	2.7	2.7	70	3.6	3.1	5	54	8.7	5.7	2.7	152	5.0	2.8	1.9	10	70	5.8	3.6	3.1
					12	75	3.2	3.2	49	4.4	3.7	6	37	10.4	6.9	3.2	106	6.0	3.3	2.3	12	49	6.9	4.4	3.7
					14	55	3.8	3.8	36	5.1	4.4	7	27	12.1	8.0	3.8	78	7.0	3.9	2.7	14	36	8.1	5.1	4.4
S414L3-3K Narrow Flood	NFL	23°	50000	4434	4	277	1.8	1.8	180	2.5	2.1	2.0	139	3.5	4.4	1.8	392	2.0	1.9	1.3	4	180	2.3	2.5	2.1
					6	123	2.8	2.8	80	3.7	3.2	2.5	89	4.3	5.5	2.3	251	2.5	2.4	1.6	6	80	3.5	3.7	3.2
					8	69	3.7	3.7	45	5.0	4.2	3.0	62	5.2	6.6	2.8	174	3.0	2.9	2.0	8	45	4.6	5.0	4.2
					10	44	4.6	4.6	29	6.2	5.3	3.5	45	6.1	7.7	3.2	128	3.5	3.4	2.3	10	29	5.8	6.2	5.3
					12	31	5.5	5.5	20	7.5	6.4	4.0	35	6.9	8.7	3.7	98	4.0	3.9	2.6	12	20	6.9	7.5	6.4
S414L3-3K Flood	FL	34°	50000	2481	4	155	2.7	2.7	101	3.8	3.1	1.0	310	1.7	4.1	1.4	877	1.0	1.5	1.0	3	179	1.7	2.8	2.3
					5	99	3.4	3.4	64	4.7	3.9	1.5	138	2.6	6.2	2.0	390	1.5	2.3	1.4	4	101	2.3	3.8	3.1
					6	69	4.1	4.1	45	5.6	4.7	2.0	78	3.5	8.3	2.7	219	2.0	3.1	1.9	5	64	2.9	4.7	3.9
					7	51	4.7	4.7	33	6.6	5.5	2.5	50	4.3	10.3	3.4	140	2.5	3.8	2.4	6	45	3.5	5.6	4.7
					8	39	5.4	5.4	25	7.5	6.3	3.0	34	5.2	12.4	4.1	97	3.0	4.6	2.9	7	33	4.0	6.6	5.5
S414L3-3K Wide Flood	WFL	53°	50000	1071	2	268	2.0	2.0	174	2.9	2.3	1.0	134	1.7	15.0	2.0	379	1.0	2.6	1.4	2	174	1.2	2.9	2.3
					3	119	3.0	3.0	77	4.3	3.4	1.5	60	2.6	22.5	3.0	168	1.5	3.9	2.1	3	77	1.7	4.3	3.4
					4	67	4.0	4.0	43	5.8	4.6	2.0	33	3.5	**	4.0	95	2.0	5.3	2.8	4	43	2.3	5.8	4.6
					5	43	5.0	5.0	28	7.2	5.7	2.5	21	4.3	**	5.0	61	2.5	6.6	3.5	5	28	2.9	7.2	5.7
					6	30	5.9	5.9	19	8.6	6.9	3.0	15	5.2	**	5.9	42	3.0	7.9	4.2	6	19	3.5	8.6	6.9

For 2700K fixtures, use 0.90 multiplier; for 4000K fixtures, use 1.04 multiplier.

\*\*Due to steep aiming angle, length of beam extends beyond 25'.

