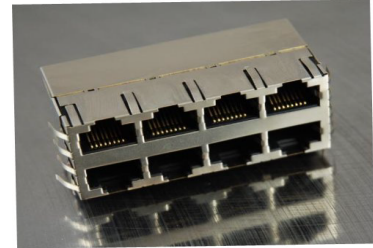




2x4 RJ45 Connector

AR24-3634



- 10/100 Base-T Ethernet Application
- Impedance: 100OHMS
- Transmit open circuit inductance (OCL): 350uH (MIN) @100KHz
1VRMS with 8mA DC Bias
- RJ45 jack cavity conforms to FCC rules and regulations Part 68, SUB Part F
- Standard operating temp: 0°C to +70°C
- Contact Factory for Industrial Temp.
- Storage temperature range: -40°C to +85°C

Electrical Specifications @ 25°C

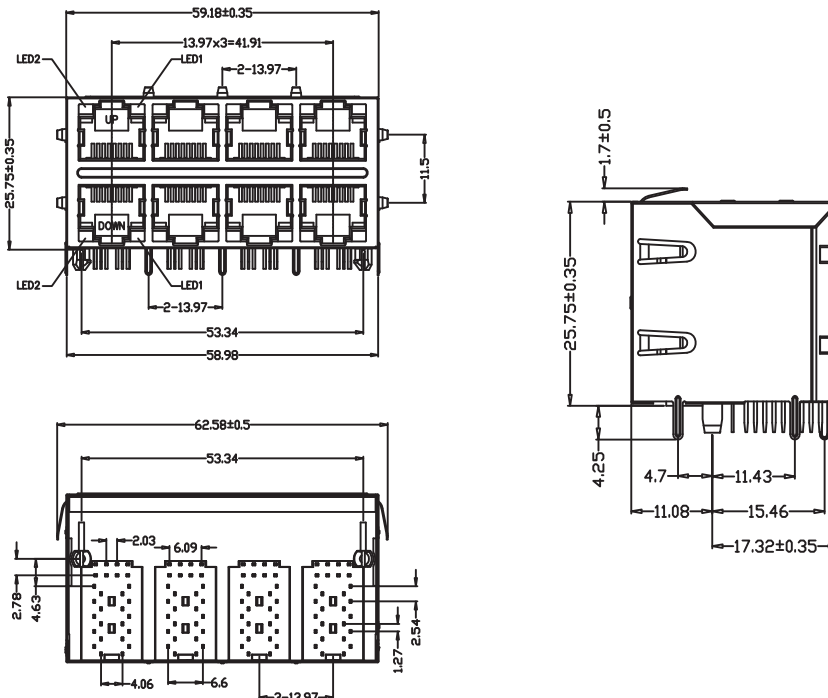
Part Number	OCL(uH Min) @ 100kHz, 0.1V With 8mA DC Bias	Turns Ratio chip: cable (±3%)	Insertion Loss (dB Max)		Return Loss (dB Min)	
			0.3-100MHz	30MHz	50MHz	80MHz
AR24-3634	350	(3-6):(3-6)=1CT:1CT,(1-2):(1-2)	-1.0	-18	-15	-12

Electrical Specifications @ 25°C

Part Number	Cross Talk (dB Min)			CMR (dB Min)			HI-POT (VDC) 0.5mA/2Sec.
	30MHz	60MHz	100MHz	30MHz	60MHz	100MHz	
AR24-3634	-38	-38	-38	-40	-40	-40	1500

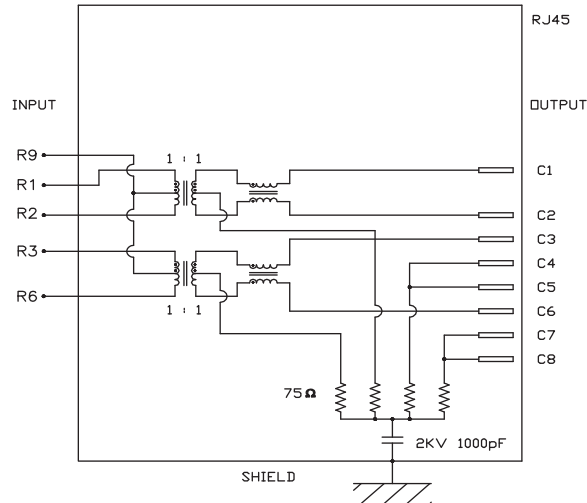
All specifications subject to change without notice.

MECHANICAL





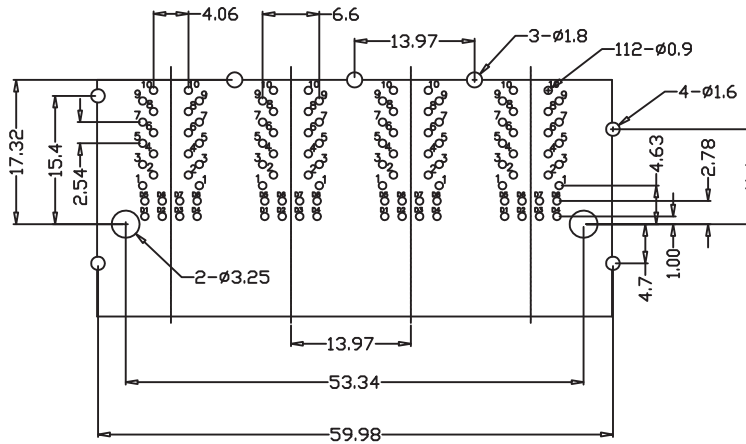
SCHEMATICS



LED CONFIGURATION



PCB LAYOUT



RECOMMENDED PCB LAYOUT COMPONENT SIDE
ALL DIMENSION TOLERANCE ARE ±0.05 UNLESS OTHERWISE SPECIFIED

NOTES

- 1. Shield- 0.20mm THICKNESS BRASS C2680 H.
PLATING NICKEL 30u"-50u"
- 2. Housing- Standard Material Nylon 66, Glass filled
Polyester UL94V-0 Standard Color Black.
- 3. RJ Terminal- Plastic: PBT+30% GF UL94V-0, Standard
Color Black.
Pin: 0.35mm Thickness Phos-Bronze C5210 EH.
Plating: Nickel 40u"-60u" for all Sn 100%, and
6u" Gold Plating.
- 4. Contact Pin- Plastic: Nylon 66, Glass Filled, UL94V-0,
Standard Color Black.
Pin: 0.35mm Thickness Phos-Bronze C2680.
Plating: Nickel 40u"-60u" for all Sn 100%.