



10/100/1000 BASE-T SINGLE PORT SURFACE MOUNT MAGNETICS

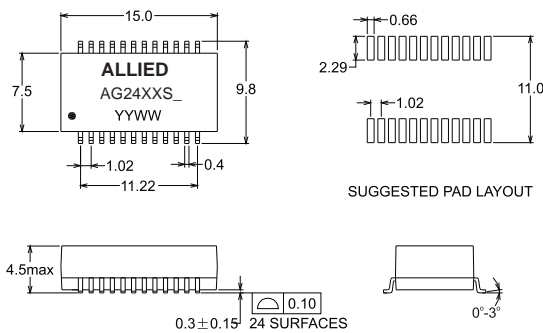
- Meets IEEE 802.3af & ANSI X 3.263
- Many parts are PoE enabled
- Standard operating temp: 0°C to +70°C (see footnote)
- Industrial operating temp: -40°C to +85°C (see footnote)

Electrical Specifications @25°C									
Part Number	OCL(uH Min) @100KHz,0.2V With 8mA DC Bias	Turns Ratio (±3%)	Insertion Loss (dB Max)	Return Loss (dB Min)		Cross talk (dB Min)		CMRR (dB Min)	HI-POT (Vrms)
				0.5-100MHz	0.5-40MHz	40.1-100MHz	0.5-40MHz		
AG2401S_	350	1CT:1CT	1.1	18	12-20*log(f/80)	35	33-20*log(f/50)	30	1500
AG2403S_	350	1CT:1CT	1.1	18	12-20*log(f/80)	35	33-20*log(f/50)	30	1500
AG2404S_	350	1CT:1CT	1.1	18	12-20*log(f/80)	35	33-20*log(f/50)	30	1500
AG2405S_	350	1CT:1CT	1.1	18	12-20*log(f/80)	35	33-20*log(f/50)	30	1500
AG2406S_	350	1CT:1CT	1.1	18	12-20*log(f/80)	35	33-20*log(f/50)	30	1500
AG2407S_	350	1CT:1CT	1.1	18	12-20*log(f/80)	35	33-20*log(f/50)	30	1500
AG2408S_	350	1CT:1CT	1.1	18	12-20*log(f/80)	35	33-20*log(f/50)	30	1500
AG2409S_	350	1CT:1CT	1.1	18	12-20*log(f/80)	35	33-20*log(f/50)	30	1500
AG2410S_	350	1CT:1CT	1.1	18	12-20*log(f/80)	35	33-20*log(f/50)	30	1500
AG2414S_	350	1CT:1CT	1.1	18	12-20*log(f/80)	35	33-20*log(f/50)	30	1500
AG2415S_	350	1CT:1CT	1.1	18	12-20*log(f/80)	35	33-20*log(f/50)	30	1500
AG2418S_	350	1CT:1CT	1.1	18	12-20*log(f/80)	35	33-20*log(f/50)	30	1500
AG2442S_	350	1CT:1CT	1.1	18	12-20*log(f/80)	35	33-20*log(f/50)	30	1500
AG2444S_	350	1CT:1CT	1.1	18	12-20*log(f/80)	35	33-20*log(f/50)	30	1500
AG2446S_	350	1CT:1CT	1.1	18	12-20*log(f/80)	35	33-20*log(f/50)	30	1500
AG2449S_	350	1CT:1CT	1.1	18	12-20*log(f/80)	35	33-20*log(f/50)	30	1500

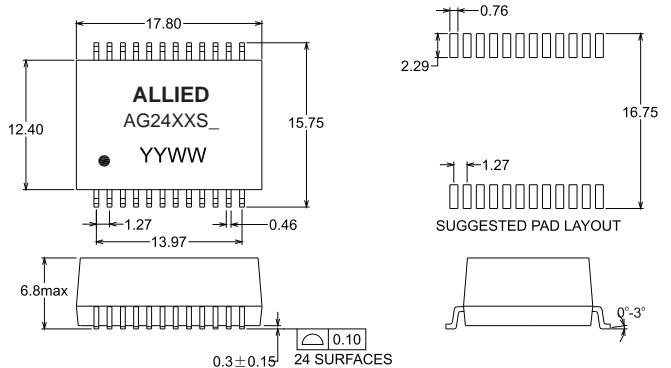
*Complete part number by inserting "S" for Standard Temp or "I" for Industrial Temp. All specifications subject to change without notice.

MECHANICAL

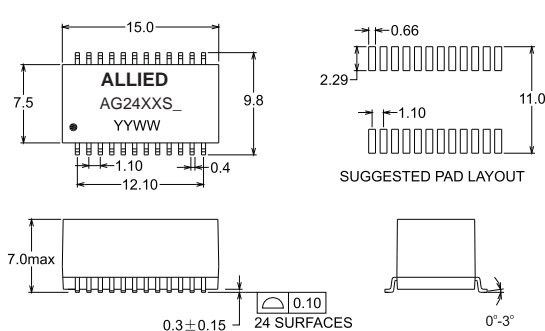
AG2403S_ , AG2415S_



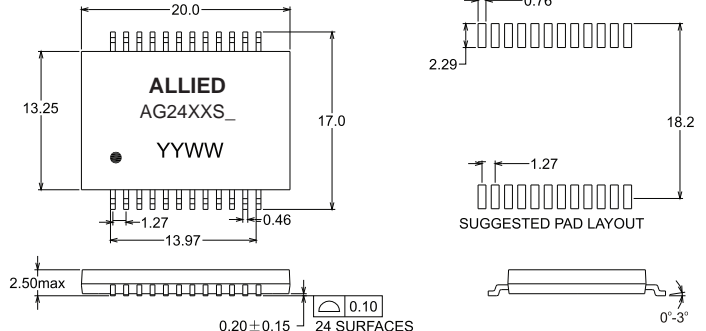
AG2401S_ , AG2405S_ , AG2414S_ , AG2440S_ , AG2446S_ , AG2449S_



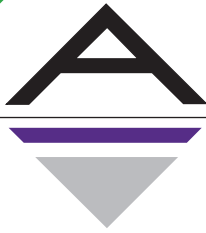
AG2406S_



AG2404S_

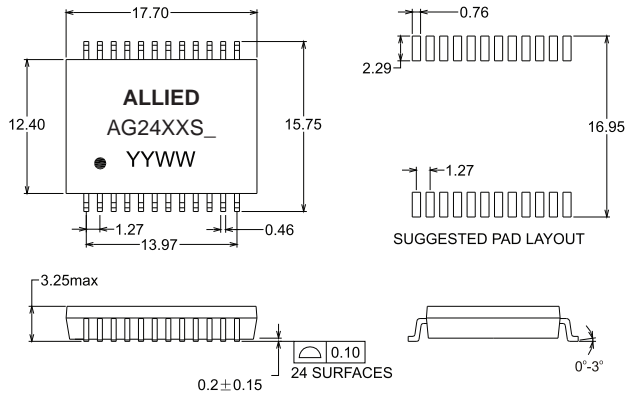


Unless otherwise specified all tolerances are: ±0.25 in mm

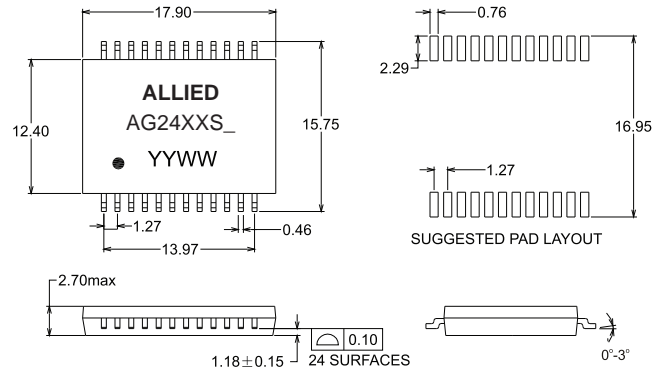


10/100/1000 BASE-T SINGLE PORT SURFACE MOUNT MAGNETICS

AG2407S_, AG2410S_, AG2418S_, AG2442S_



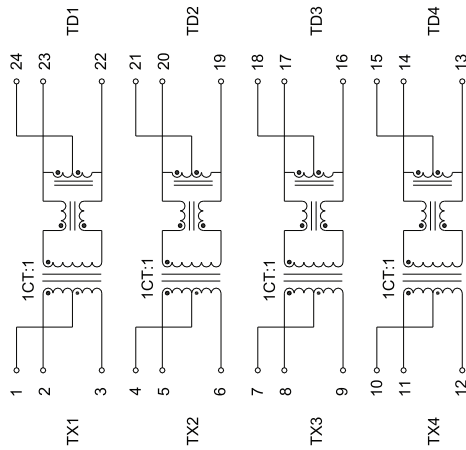
AG2408S_, AG2409S_, AG2444S_



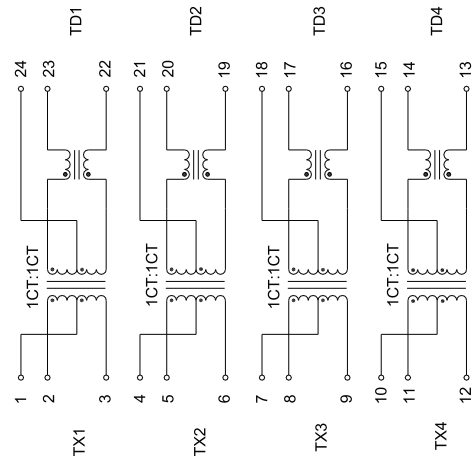
Unless otherwise specified all tolerances are: ±0.25 in mm

SCHEMATICS

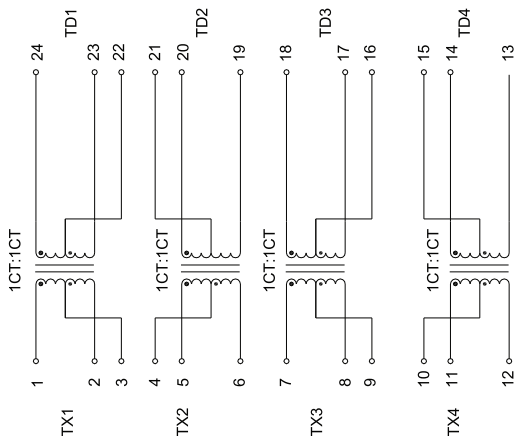
AG2401S_, AG2407S_, AG2408S_, AG2409S_



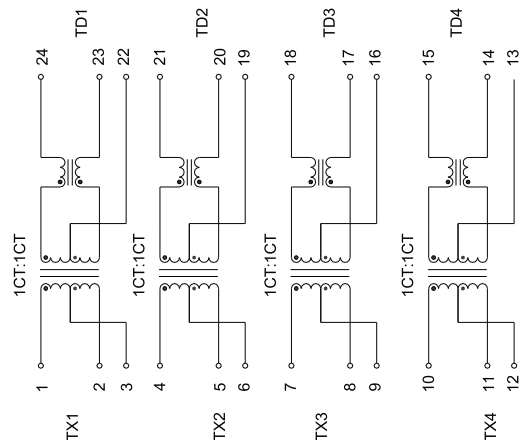
AG2403S_, AG2404S_, AG2405S_, AG2403S_
AG2406S_, AG2410S_, AG2444S_



AG2415S_



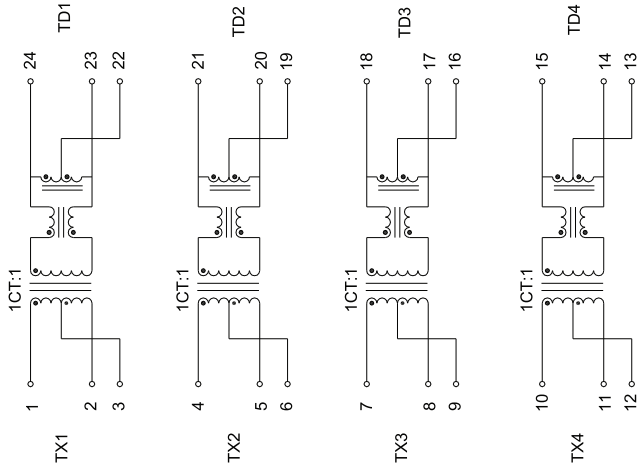
AG2418S_



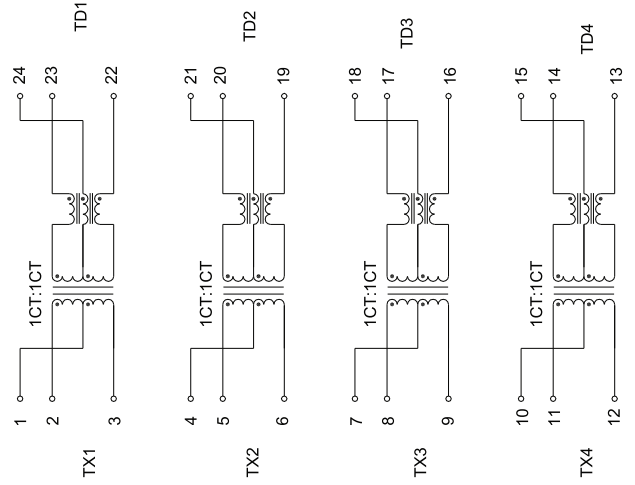


10/100/1000 BASE-T SINGLE PORT SURFACE MOUNT MAGNETICS

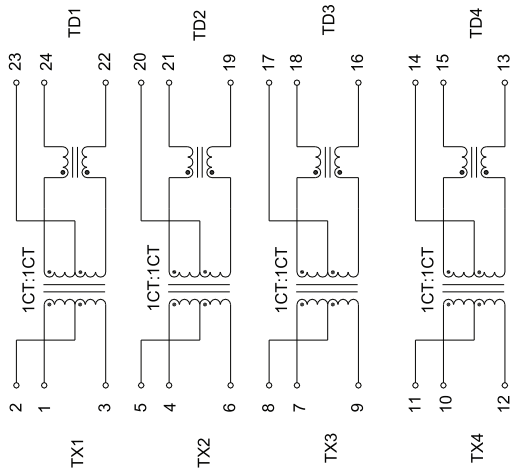
AG2442S_



AG2449S_



AG2446S_



AG2414S_

