



ADSL LINE TRANSFORMER THROUGH HOLE MAGNETICS

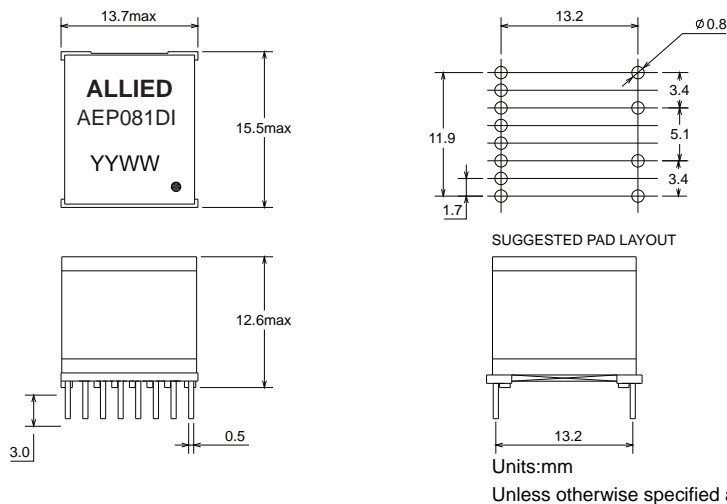
- EN60950 Basic Insulation compliant 250Vrms
- Through Hole compact foot print design
- Industrial operating temp: -40°C to +85°C

Electrical Specifications @25°C

Part Number	Turns Ratio (10KHz,0.1V)		OCL (10KHz,0.1V)	LL (100KHz,0.1V)		Cww (100KHz,0.1V)	
	AEP081DI	16-9:1-4 (short 11-14,2-3)	16-9:5-8 (short 11-14,6-7)	16-9 (short 11-14)	16-9 (short 11-14,1-2-3-4)	16-9 (short 11-14,5-6-7-8)	1-16 (short 1-2-3-4,11-14)
1:1 ± 2%		4.2:1 ± 2%	1.4mH ± 10%	28uH max	20uH max	80pF max	60pF max
Continue							
DCR			THD (30KHz,2Vrms)		LB (35KHz~650KHz)	Hi-Pot VAC (1mA/1s)	
16-9 (short 11-14)		1-4 (short 2-3)	5-8 (short 6-7)	-90dB max		55dB min	1875
	8.5Ω ± 10%	4.08 Ω ± 10%	0.45Ω ± 10%				

All specifications subject to change without notice.

MECHANICAL



SCHEMATICS

