



ADSL LINE TRANSFORMER THROUGH HOLE MAGNETICS

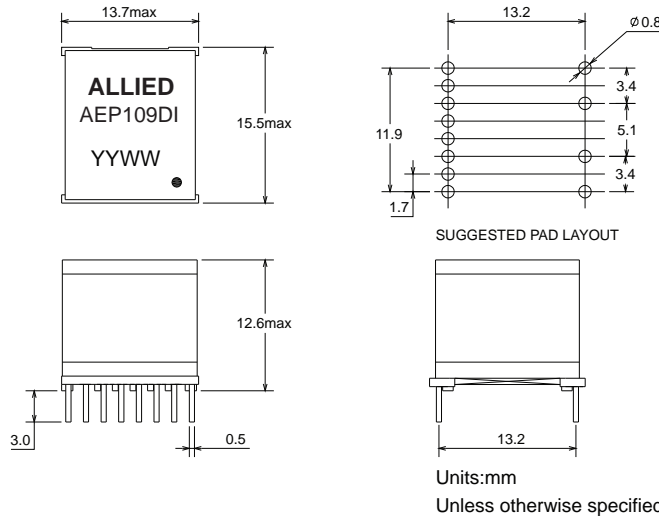
- EN60950 Basic Insulation compliant 250Vrms
- Through Hole compact foot print design
- Industrial operating temp: -40°C to +85°C

Electrical Specifications @25°C

| Part Number | Turns Ratio (10KHz,0.1V) | | OCL (10KHz,0.1V) | LL (100KHz,0.1V) | | | | | |
|---------------------------|--------------------------|-------------------------------|-------------------------------|-----------------------|---------------------------------------|---------------------------------------|---------------------------------------|----------------|-----------|
| | AEP109DI | 16-9:1-4 (short 11-14,2-3) | 16-9:5-8 (short 11-14,6-7) | 16-9 (short 11-14) | 16-9 (short 11-14,1-2-3-4-5-6-7-8) | 1-4 (short 2-3,5-6-7-8,9-11-14-16) | 5-8 (short 6-7,1-2-3-4,9-11-14-16) | | |
| 4:1 ±2% | | 2:1 ±2% | 700uH ±10% | 18uH max | 1.8uH max | 7.0uH max | | | |
| Continue | | | | | | | | | |
| Cww (100KHz,0.1V) | | | DCR | | | THD | LB | Hi-Pot VAC | |
| 1-16 (short 2-3,11-14) | | 5-16 (short 6-7,11-14) | 1-8 (short 2-3,6-7) | 16-9 (short 11-14) | 1-4 (short 2-3) | 5-8 (short 6-7) | (20KHz,5.3Vrms) | (35KHz-650KHz) | (1mA/60s) |
| 50pF max | 50pF max | 40pF max | 5.0Ω max | 1.38Ω max | 2.1Ω max | -90dB max | 55dB min | 4000 | |

All specifications subject to change without notice.

MECHANICAL



SCHEMATICS

