



- Surface Mount Power Inductors are designed to handle exceptionally high current while maintaining a low profile
- Toroid electromagnetic emissions are virtually eliminated
- Self leaded design ensures reliability
- Operating temperature range -40°C to 130°C



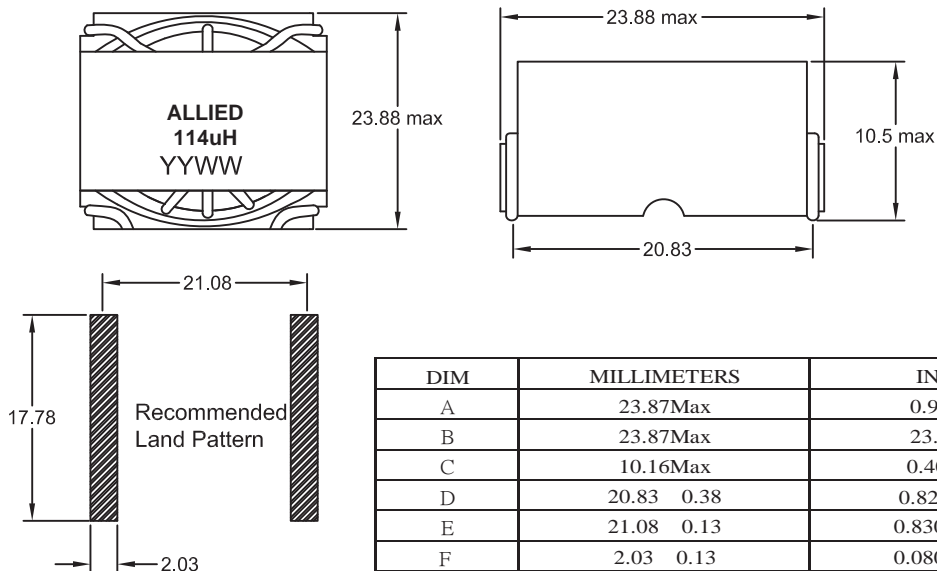
Electrical Specifications @25°C			
Part Number	Inductance @100KHz, 0.1V	DCR	R. Current @ 100KHz, 0.1V
	1-2	1-2	1-2
SMTC6852-110M-RC	11uH±20%	8.2mΩ Max	14A
SMTC6852-380M-RC	38uH±20%*	0.05mΩ Max	3A
SMTC6852-111M-RC	114uH±20%	100mΩ Max	2.22A

*tested @150KHz,0.1V

All specifications subject to change without notice.

MECHANICAL

marked with inductance



DIM	MILLIMETERS	INCHES
A	23.87Max	0.940Max
B	23.87Max	23.87Max
C	10.16Max	0.400 Max
D	20.83 0.38	0.820±0.015
E	21.08 0.13	0.830 0.005
F	2.03 0.13	0.080 0.005
G	17.8±0.13	0.700±0.005

Unless otherwise specified all tolerances are:±0.25 in mm

SCHEMATICS

