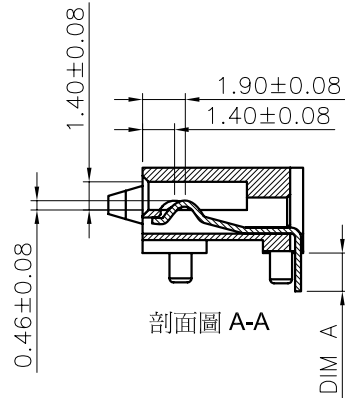
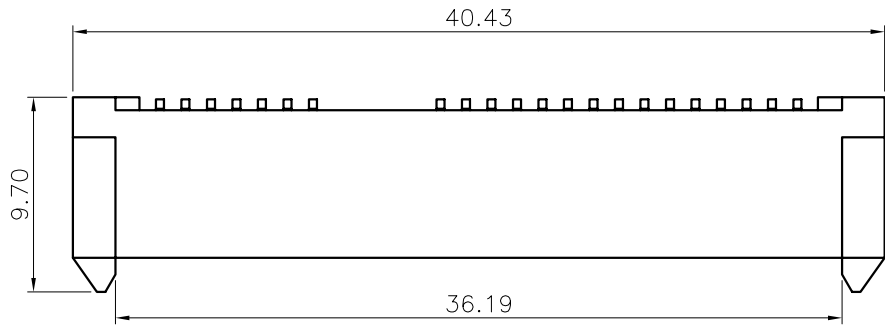


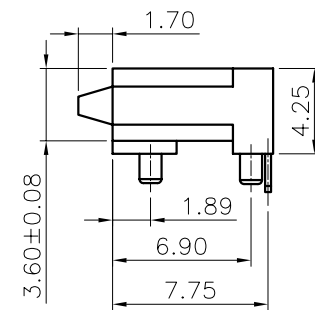
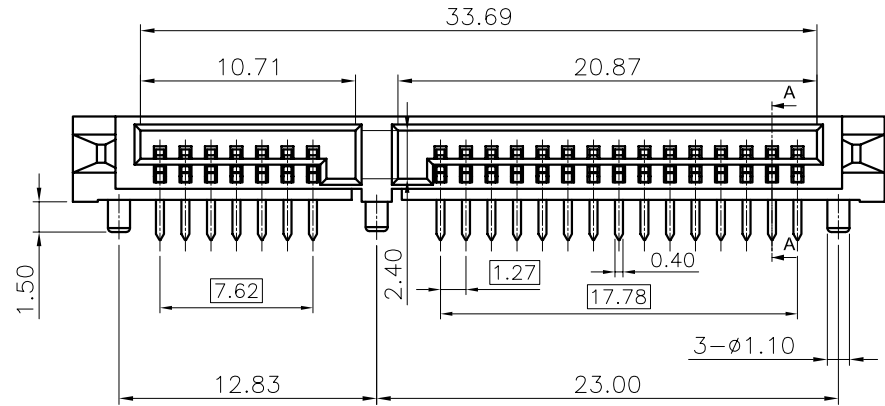
CUSTOMER DRAWING

REVISIONS			
LTR	DESCRIPTION	Drawing	DATE
A	RELEASE NEW PRODUCT	GARY	11/06/07
B	增加腳長2.50料號	GARY	03/03/09



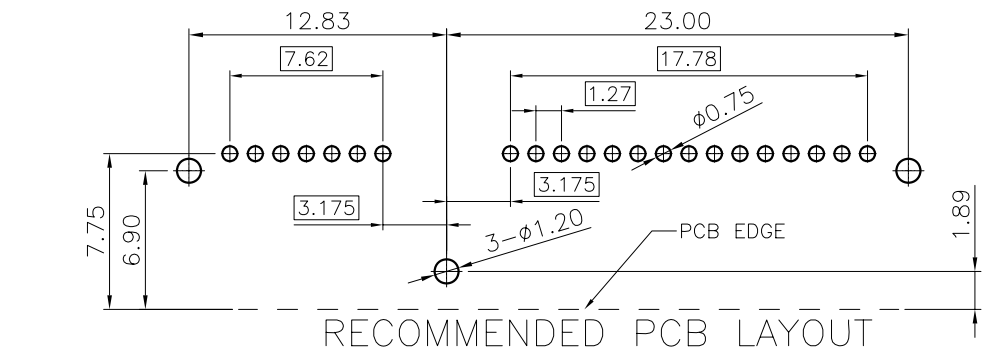
TABLE

PART NO.	PLATED	PLASTIC&COLOR	NOTE	DIM A
007-01-00850	15 U" GOLD	LCP BLACK	GP	2.50
007-01-00524	15 U" GOLD	LCP BLACK	GP	1.90



NOTE:

- MATERIAL :
BASE : HIGH TEMPERATURE THERMOPLASTIC UL94V-0,
TERMINAL:COPPER ALLOY,THICKNESS = 0.30 mm
- PLATING:
CONTACT:GOLD OVER 50u" MIN NICKEL UNDERPLATE
SOLDER TAIL:150u"MIN MISTY TIN 50u" MIN NICKEL UNDERPLATE
GOLD SPECIFICATION:SEE TABLE
- ELECTRONICAL SPECIFICATION:
CURRENT RATING: 1.5 AMPERE PER CONTACT
CONTACT RESISTANCE: 30 MILLIOHMS MAX.
INSULATION RESISTANCE: 1000 MEGOHMS MIN.
DIELECTRIC WITHSTANDING VOLTAGE: 500 VDC.
OPERATING TEMPERATURE: -40°C~+85°C



DIMENSION ARE MILLIMETERS		APPROVALS		DATE	TITLE:
TOLERANCES ARE : DECIMALS .X ± 0.20 .XX ± 0.15		DRAWN	GARY	03/03/09	
ANGLE: X ± 3°		CHECKED			SIZE mm
DO NOT SCALE DRAWING					SCALE : 1 : 1
					DRAWING NO. 000555
					REV. B
					ID NO. XXXXXXXXX
					SHEET 1 OF 1

DESCRIPTION

NO

4

3

2

1

4

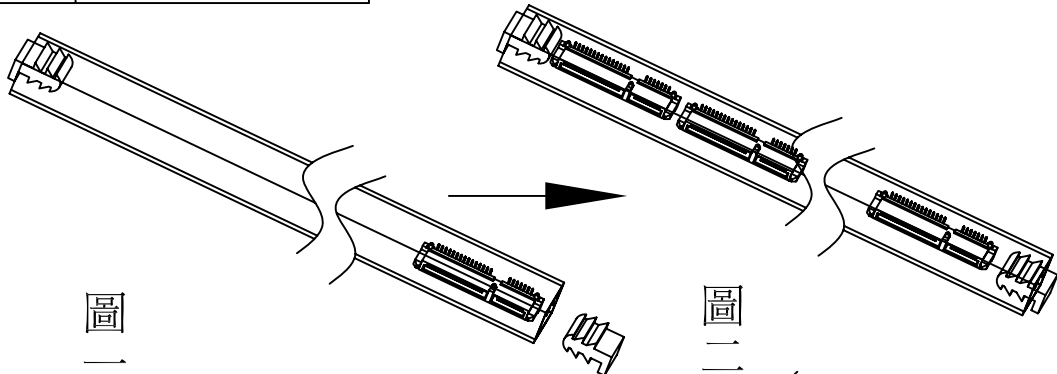
3

2

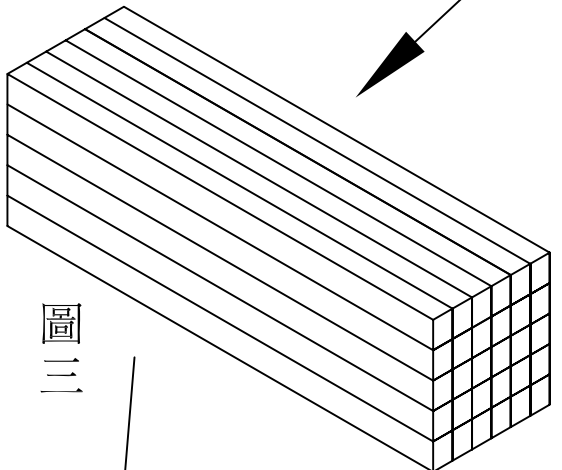
1

PART NO. SEE TABLE

REVISIONS			
LTR	DESCRIPTION	Drawing	DATE
A	ease for Manufacture	Initial Rel	GARY 11/22/07



序號	品名	料號	數量	規格	淨重	毛重
3	22PIN無墊高三柱型	007-01-00524	4620PCS			
2	TUBE	007-08-00030	420PCS	480*11.9*8.4	8.8KG	17.5KG
1	CARTON	001-08-00003	1PCS	515*35.5*185		

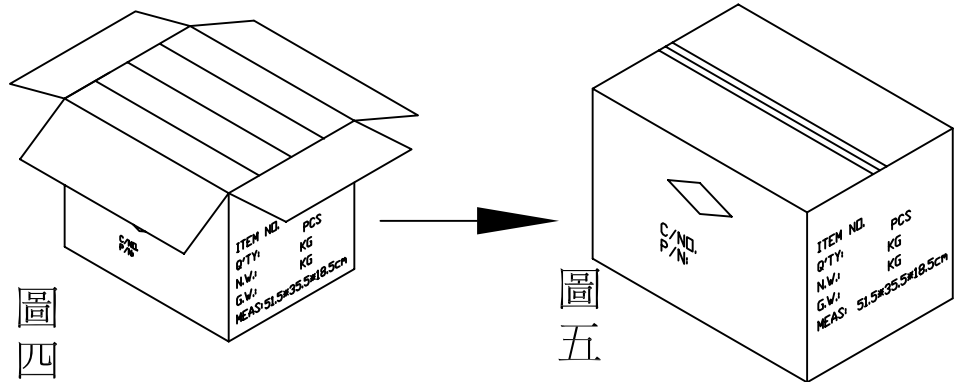


包裝步驟說明

1.將產品按如圖一所示方向裝入真空管，並裝好塞子，每管裝**11PCS**

2.裝裝好成品的真空管按如圖三所示方向放置，並用保鮮膜包綁扎，每扎**30管**

3.將綁好的真空管按圖三所示的方向裝入紙箱，每箱裝**14扎**



DIMENSION ARE MILLIMETERS		APPROVALS		DATE	TITLE: SATA22PIN 無墊高DIP三柱型包裝圖
TOLERANCES ARE :		DRAWN	GARY	11/22/07	
DECIMALS		CHECKED			
ANGLE:		APPROVALS			
.X ± 0.30					SIZE
.XX ± 0.20					SCALE :
X ± 1°					DRAWING NO.
					600XXX
					REV.
					A
					ID NO.
					XXXXXXXXXX
					SHEET
					1 OF 1

NO DESCRIPTION QTY UNIT DO NOT SCALE DRAWING

4

3

2

1