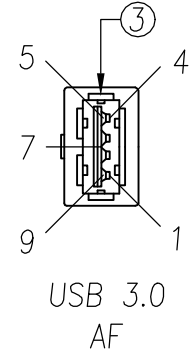
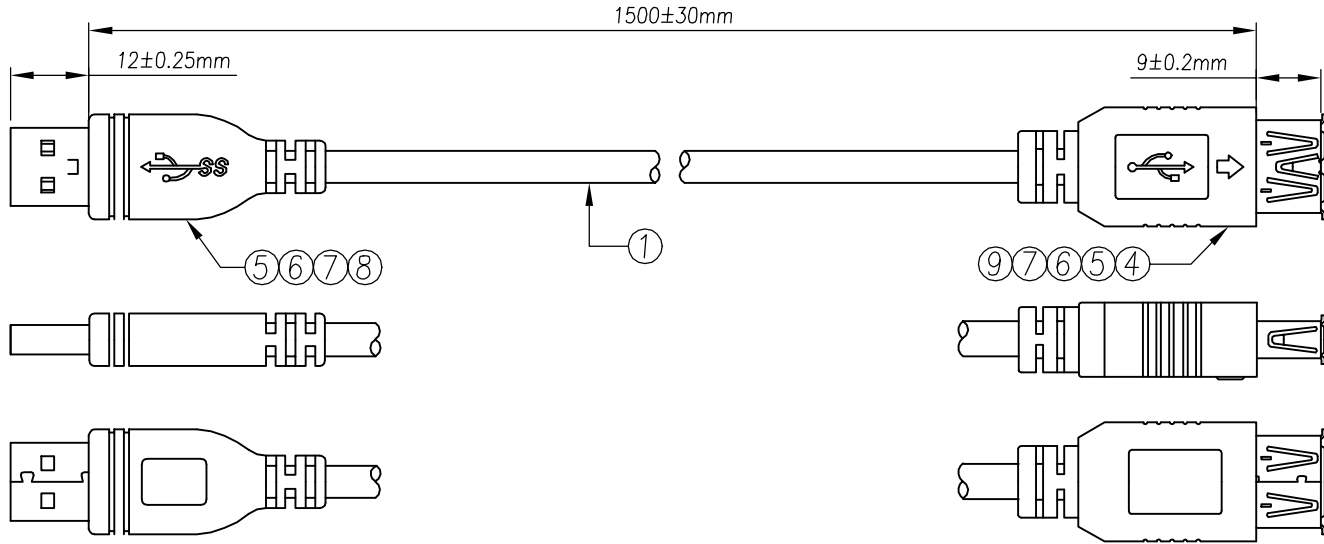
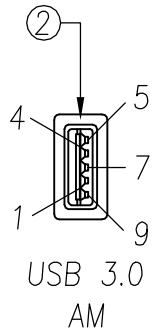


REV	MODIFICATION	DATE	DRAW



PIN OUT

USB 3.0 AM		USB 3.0 AF
1	RED	1
2	WHITE	2
3	GREEN	3
4	BLACK	4
5	BLUE	5
6	YELLOW	6
7	DRAIN	7
8	PURPLE	8
9	ORANGE	9
SHELL	BRAID	SHELL

NOTE
 1.CONTINUITY TESTING
 INSULATION RESISTANCE,20 Megohms(MIN)
 CONDUCT RESISTANCE,1.5 ohms(MAX)

ORDER INFORMATION
 CABG-09011-G
 COMPLY TO RoHS

NO.	ITEM	DESCRIPTION	Q'TY	UNIT
9	COPPER	COPPER FOIL,W22*L50mm	1	PC
8	COPPER	DOUBLE COPPER FOIL,W5*L60mm	1	PC
7	H.S.T	H.S.TUBE,BLACK,UL+CUL,ø2.5*6mm	4	PCS
6	H.S.T	H.S.TUBE,BLACK,UL+CUL,ø1.5*5mm	4	PCS
5	PVC	PVC,BLUE,45P.	15	g
4	PE	PE,LD-PE	3	g
3	CONN	USB 3.0 AF,SOLDER MOLDING TYPE,30u" GOLD PLATED CONTACT, BLUE INSULATION,NICKEL PLATED SHELL	1	SET
2	CONN	USB 3.0 AM,SOLDER MOLDING TYPE,30u" GOLD PLATED CONTACT, BLUE INSULATION,NICKEL PLATED SHELL	1	SET
1	CABLE	CABLE,UL20276,USB REV.3.0,(28AWG*1PR+DRAIN+AL+MYLAR)*2C+28AWG*1PR +28*2C,AB,BLUEJACKET,OD=5.5±0.1mm L=1500mm	1	PC
NO.	ITEM	DESCRIPTION	Q'TY	UNIT

DIMENSION IN mm [Inch]		PROD. SPEC.	C	
TOLERANCE UNLESS OTHERWISE SPECIFIED		PKG. SPEC.	TITLE USB3.0 A M/F-RO*2 AL=1.5M	
.X±	X.*±	APPROVE	CUSTOMER DRAWING	
.XX±	.X*±	CHECK	FILE NO.	DWG NO. CABG-09011-G
.XXX±	.XX*±	DRAW	SIZE A4	PROJ. SHEET 1 / 1
			SCALE 1:1	REV A