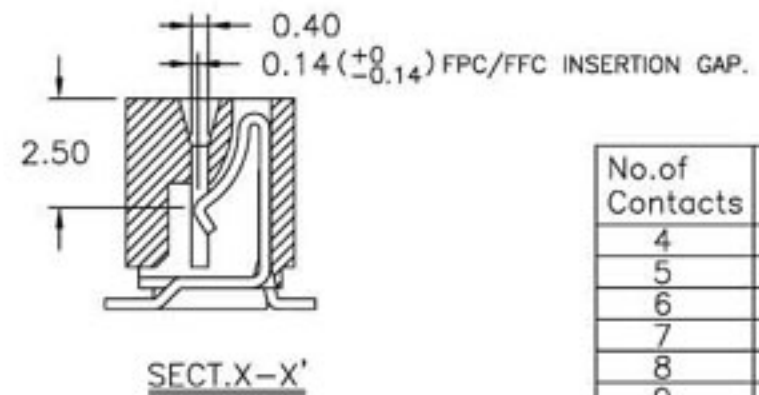
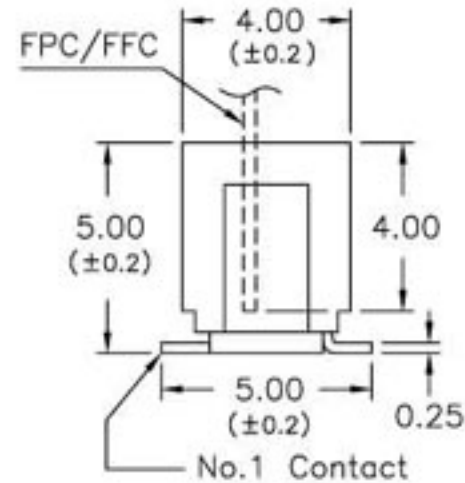
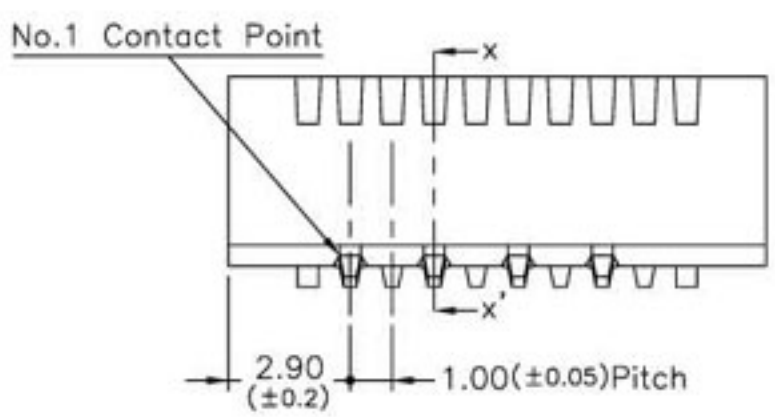
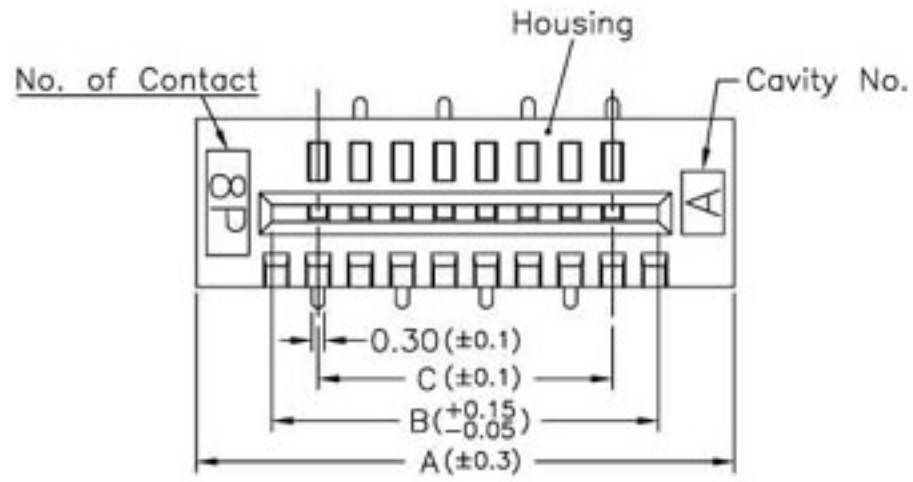


REV.	ECN NO.	DATE
A	RELEASED	5/30/2001
B	402001	2/20/2004

**NOTE:**

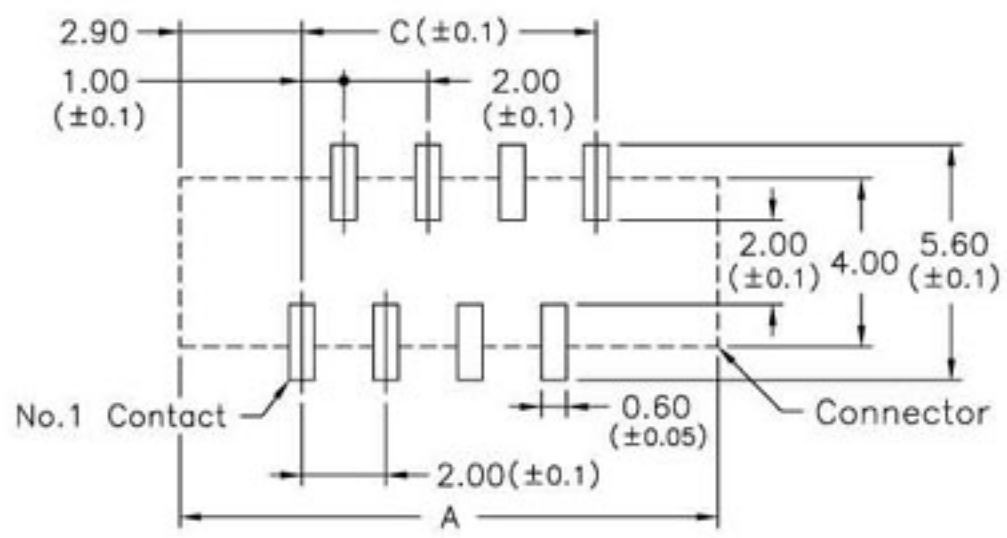
- 1.MATERIAL:**  
HOUSING:THERMOPLASTIC  
CONTACTS:COPPER ALLOY
- 2.PLATING:**  
CONTACTS:SEE ORDERING INFORMATION
- 3.PART NO.:**  
BL109T- xx S - xx xx
- 4.RATING:**  
OPERATING VOLTAGE:50V  
CURRENT RATING:0.5A  
OPERATING TEMPERATURE:-55°C ~ +85°C

00-TIN/LEAD OVER NICKEL  
 ND-TIN OVER NICKEL(LEAD FREE)  
 1G-1U" GOLD OVER NICKEL  
 3G-3U" GOLD OVER NICKEL  
 PACKAGING  
 TA-EMBOSSED TAPE  
 TU-TUBE  
 STRAIGHT  
 NO. OF CONTACTS

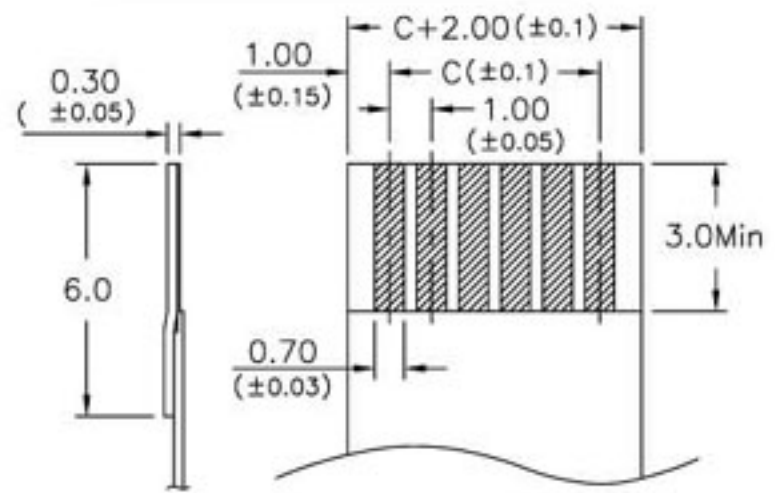


No. of Contacts	Part Number	Dimensions		
		A	B	C
4	BL109T-4S	8.80	5.20	3.00
5	BL109T-5S	9.80	6.20	4.00
6	BL109T-6S	10.80	7.20	5.00
7	BL109T-7S	11.80	8.20	6.00
8	BL109T-8S	12.80	9.20	7.00
9	BL109T-9S	13.80	10.20	8.00
10	BL109T-10S	14.80	11.20	9.00
11	BL109T-11S	15.80	12.20	10.00
12	BL109T-12S	16.80	13.20	11.00
13	BL109T-13S	17.80	14.20	12.00
14	BL109T-14S	18.80	15.20	13.00
15	BL109T-15S	19.80	16.20	14.00
16	BL109T-16S	20.80	17.20	15.00
17	BL109T-17S	21.80	18.20	16.00
18	BL109T-18S	22.80	19.20	17.00
19	BL109T-19S	23.80	20.20	18.00
20	BL109T-20S	24.80	21.20	19.00
21	BL109T-21S	25.80	22.20	20.00
22	BL109T-22S	26.80	23.20	21.00
23	BL109T-23S	27.80	24.20	22.00
24	BL109T-24S	28.80	25.20	23.00
25	BL109T-25S	29.80	26.20	24.00
26	BL109T-26S	30.80	27.20	25.00
27	BL109T-27S	31.80	28.20	26.00
28	BL109T-28S	32.80	29.20	27.00
29	BL109T-29S	33.80	30.20	28.00
30	BL109T-30S	34.80	31.20	29.00
31	BL109T-31S	35.80	32.20	30.00
32	BL109T-32S	36.80	33.20	31.00

PCB Layout



Applicable FPC



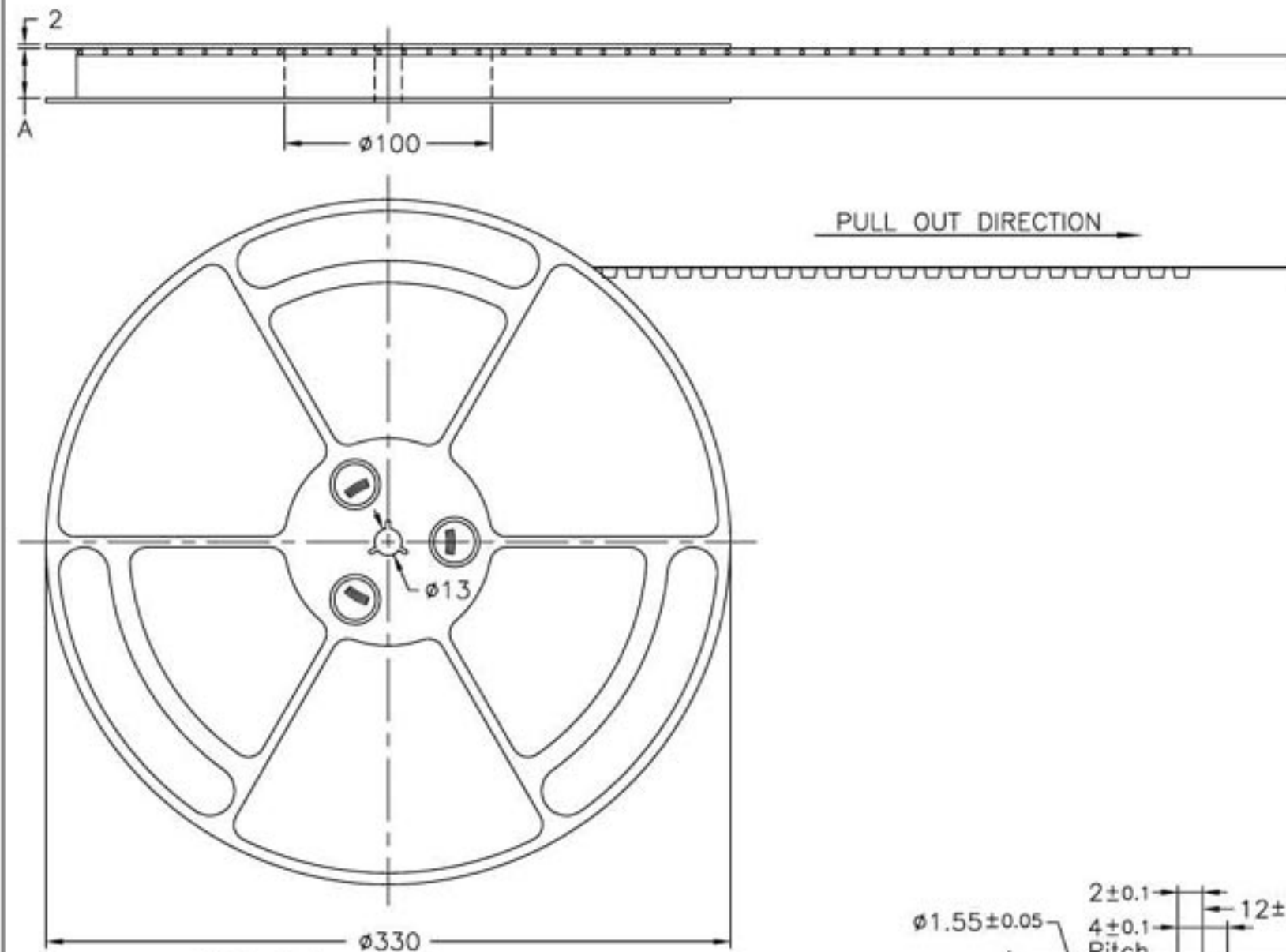
TOLERANCE UNLESS SPECIFIED		REV.	B	DR. BY	Bonnie Li	MATERIAL	See Note 1.
LINEAR	ANGLE	SHEET	1/2	CHK. BY	S.T.Lin	FINISH	See Note 1.
.X	.X'	SCALE	4/1	APP. BY	S.T.Lin	DATE	5/30/2001
.XX		UNIT	mm			PART NO.	See Note 2.
.XXX							



TITLE 1.0mm Pitch FPC/FFC Connector  
 DWG NO. D/BOOK/BOOK/BL109T/HP

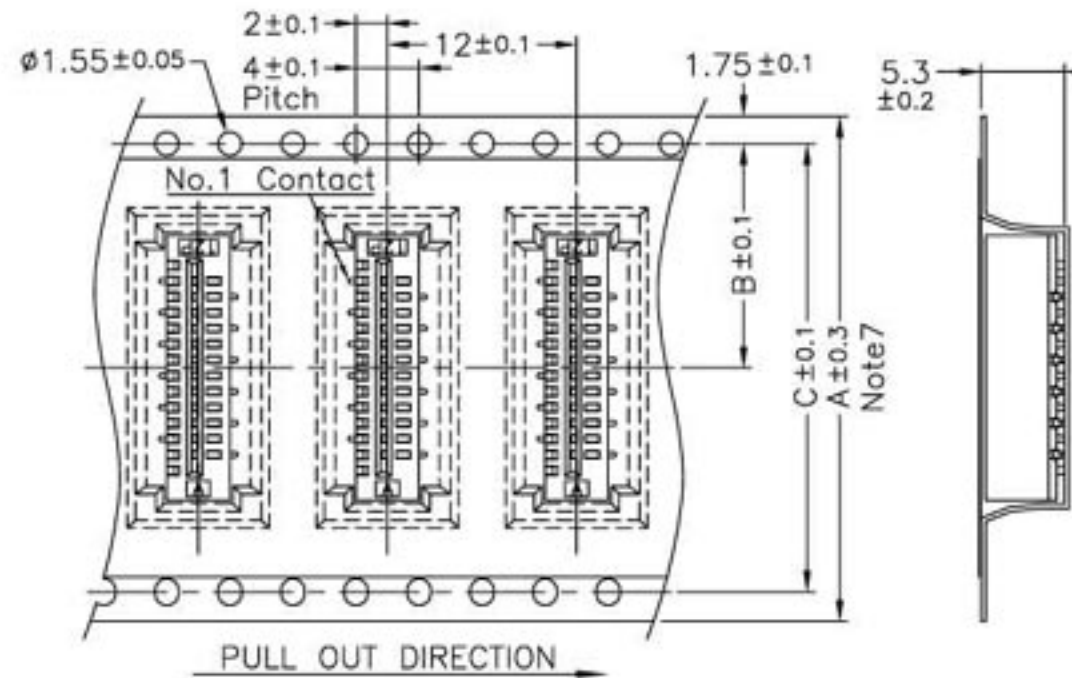
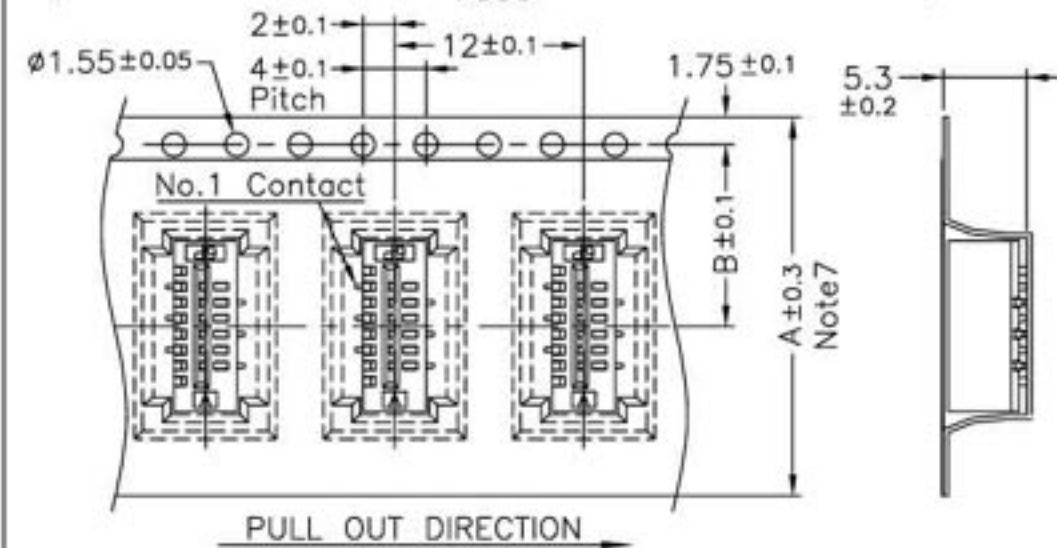
# EMBOSSED TAPE PACKING BL109T SERIES S TYPE

REV.	ECN NO.	DATE
A	RELEASED	12/9/2002
B	402001	2/20/2004



**Note:**

- 1.10 sprocket hole pitch cumulative tolerance  $\pm 0.2$ .
2. Carrier camber is within 1 mm in 250mm.
3. Material : Black Conductive Polystyrene Alloy
4. All dimensions meet EIA-481-B requirements.
5. Thickness :  $0.35 \pm 0.05$ mm
6. Component load per 13" reel : 1000 pcs.
7. For tape width (dimension A) 24mm a pilot hole is provided on one side.  
For tape width (dimension A) 32mm and 44,56mm pilot holes are provided on both sides.



No. of Contacts	Part Number	DIM. A Note7	DIM. B	DIM. C
4	BL109T-4S	24	11.5	—
10	BL109T-10S			
11	BL109T-11S	32	14.2	28.4
15	BL109T-15S			
16	BL109T-16S	44	20.2	40.4
27	BL109T-27S			
28	BL109T-28S	56	26.2	52.4
32	BL109T-32S			

TOLERANCE UNLESS SPECIFIED		REV.	A	DR. BY	Bonnie Li	MATERIAL	See Note3
LINEAR	ANGLE	SHEET	2/2	CHK. BY	S.T.Lin	FINISH	
.X	.X	SCALE		APP. BY	S.T.Lin	DATE	12/9/2002
.XX	.X	UNIT	mm			PART NO.	BL109T-xxS
.XXX							



TITLE 1.0mm Pitch FPC/FFC Connector  
DWG NO. D/BOOK/BOOK/BL109T/HP