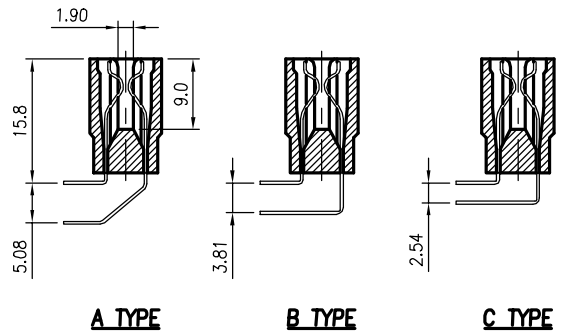


RECOMMENDED PCB LAYOUT
Tolerance: ±0.05



PART NO.

Series No. SR 000 X X XX X Row To Row Pitch
 SR: Slot 90° A: 5.08mm
 No Of Pins B: 3.81mm
 Material C: 2.54mm
 B: Brass + PBT Gold Plating
 P: Phosphor Bronze + PBT 01: 1u" Gold
 B9: Brass + NY 9T 10: 10u" Gold
 P9: Phosphor Bronze + NY 9T 15: 15u" Gold
 Plating
 L: Lead Free, Bright

DIMENSION

NO OF POS	DIM A	DIM B	DIM C	DIM D	NO OF POS	DIM A	DIM B	DIM C	DIM D
2X3=6	5.08	10.16	14.22	11.62	2X28=56	68.58	73.66	77.72	75.12
2X4=8	7.62	12.70	16.76	14.16	2X29=58	71.12	76.20	80.26	77.66
2X5=10	10.16	15.24	19.30	16.70	2X30=60	73.66	78.74	82.80	80.20
2X6=12	12.70	17.78	21.84	19.24	2X31=62	76.20	81.28	85.34	82.74
2X7=14	15.24	20.32	24.38	21.78	2X32=64	78.74	83.82	87.88	85.28
2X8=16	17.78	22.86	26.92	24.32	2X33=66	81.28	86.36	90.42	87.82
2X9=18	20.32	25.40	29.46	26.86	2X34=68	83.82	88.90	92.96	90.36
2X10=20	22.86	27.94	32.00	29.40	2X35=70	86.36	91.44	95.50	92.90
2X11=22	25.40	30.48	34.54	31.94	2X36=72	88.90	93.98	98.04	95.44
2X12=24	27.94	33.02	37.08	34.48	2X37=74	91.44	96.52	100.58	97.98
2X13=26	30.48	35.56	39.62	37.02	2X38=76	93.98	99.06	103.12	100.52
2X14=28	33.02	38.10	42.16	39.56	2X39=78	96.52	101.60	105.66	103.06
2X15=30	35.56	40.64	44.70	42.10	2X40=80	99.06	104.14	108.20	105.60
2X16=32	38.10	43.18	47.24	44.64	2X41=82	101.60	106.68	110.74	108.14
2X17=34	40.64	45.72	49.78	47.18	2X42=84	104.14	109.22	113.28	110.68
2X18=36	43.18	48.26	52.32	49.72	2X43=86	106.68	111.76	115.82	113.22
2X19=38	45.72	50.80	54.86	52.26	2X44=88	109.22	114.30	118.36	115.76
2X20=40	48.26	53.34	57.40	54.80	2X45=90	111.76	116.84	120.90	118.30
2X21=42	50.80	55.88	59.94	57.34	2X46=92	114.30	119.38	123.44	120.84
2X22=44	53.34	58.42	62.48	59.88	2X47=94	116.84	121.92	125.98	123.38
2X23=46	55.88	60.96	65.02	62.42	2X48=96	119.38	124.46	128.52	125.92
2X24=48	58.42	63.50	67.56	64.96	2X49=98	121.92	127.00	131.06	128.46
2X25=50	60.96	66.04	70.10	67.50	2X50=100	124.46	129.54	133.60	131.00
2X26=52	63.50	68.58	72.64	70.04	2X51=102	127.00	132.08	136.14	133.54
2X27=54	66.04	71.12	75.18	72.58	2X52=104	129.54	134.62	138.68	136.08

ELECTRICAL

DIELECTRIC WITHSTANDING VOLTAGE: 1,000 VAC RMS.
 CURRENT RATING: 3 AMP.
 INSULATION RESISTANCE: 5,000 MEG. OHMS MIN. AT 500 VDC.
 CONTACT RESISTANCE: 20 MILLI OHMS MAX.

MECHANICAL

INSERTION FORCE: 340 GRAMS MAX PER CONTACT PAIR.
 WITHDRAWAL FORCE: 28 GRAMS MIN PER CONTACT PAIR.

MATERIAL

INSULATOR: GLASS-REINFORCED THERMOPLASTIC.
 UL94V-0 RATED.
 CONTACT: COPPER ALLOY.
 PLATING: MATING AREA- SELECT GOLD OVER NICKEL.
 SOLDER AREA- TIN OVER NICKEL.

ENVIRONMENTAL

TEMPERATURE RANGE: -55°C TO +85°C.

				TOLERANCE				TITLE: CARDEDGE SLOT 2.54mm PITCH, RIGHT ANGLE				
				LINEAR	ANGLES			PART NO. SR000XXXXX				
				X.±0.40	X°±			DWG NO. SR				
				.X±0.30	.X°±	APPD:	MAT'L:	UNITS SCALE SHEET REV				
0	---	Schumi	Jun,01,2006	.XX±0.20	.XX°±	CHKD:	FINISH:		MM	1 : 1	1 OF 1	0
REV	ECN NO.	NAME	DATE	.XXX±0.10	.XXX°±	DRWN: Schumi	Q'TY:					