

4

3

2

1

PART NO. SEE TABLE

REVISIONS			
LTR	DESCRIPTION	Drawing	DATE
A	RELEASE NEW PRODUCT	GARY	03/04/08

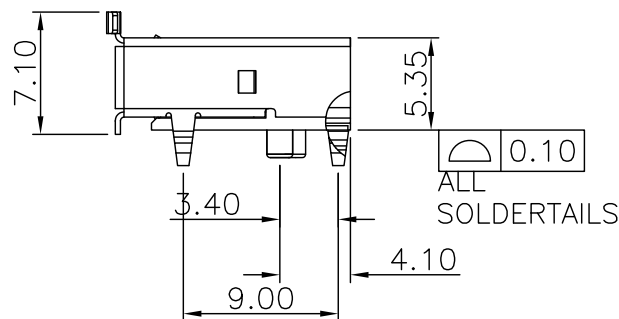
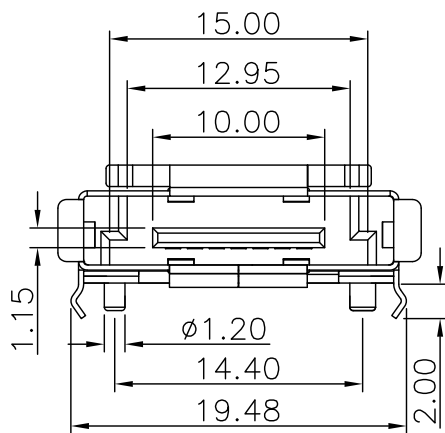
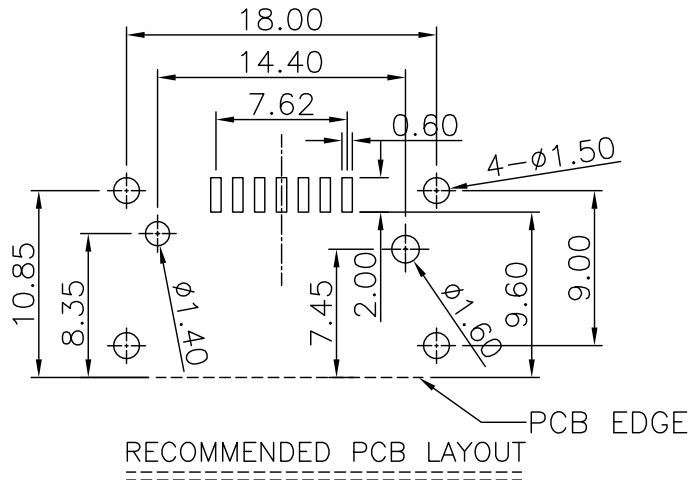
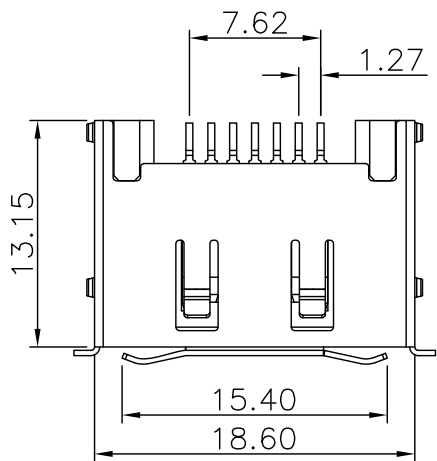
CUSTOMER DRAWING

NOTE:

- MATERIAL :
 BASE : HIGH TEMPERATURE THERMOPLASTIC,UL94V-0
 TERMINAL: COPPER ALLOY,THICKNESS = 0.25 mm
 SHELL: COPPER ALLOY,THICKNESS = 0.30 mm
- PLATING:
 CONTACT:GOLD OVER 50u" MIN NICKEL UNDERPLATE
 SOLDER TAIL:150u"MIN MISTY TIN 50u" MIN NICKEL UNDERPLATE
 SHELL:NICKLE PLATED
- ELECTRONICAL SPECIFICATION:
 CURRENT RATING: 1.5 AMPERE PER CONTACT
 CONTACT RESISTANCE: 30 MILLIOHMS MAX.
 INSULATION RESISTANCE: 1000 MEGOHMS MIN.
 DIELECTRIC WITHSTANDING VOLTAGE: 500 VDC.
 OPERATING TEMPERATURE: -40°C~+85°C
- MEETS THE REQUIREMENTS OF DIRECTIVE 2002/95/EC OF THE EUROPEAN PARLIAMENT AND OF THE COUNCIL OF 27 JANUARY 2003 ON THE RESTRICTION OF THE USE OF CERTAIN HAZARDOUS SUBSTANCES IN ELECTRICAL AND ELECTRONIC EQUIPMENT(ROHS)

PART NO.
 021-01-X X X 2 N

- HOUSING MATERIAL
 - 1:LCP
 - 4:PA66
- COLOR FOR HOUSING
 - 1:RED(FOR PA66 ONLY)
 - 2:BLACK
- CONTACT PLATING
 - 1:GOLD FLASH
 - 2:15u" GOLD
 - 3:30u" GOLD



DIMENSION ARE MILLIMETERS		APPROVALS		DATE	TITLE: ESATA 7P 公頭, 單層, 腳柱錯位型 反向SMT
TOLERANCES ARE :		DRAWN	GARY	03/04/08	
DECIMALS		CHECKED			
.X ± 0.30		APPROVALS			
.XX ± 0.25					SIZE mm
ANGLE:					SCALE : 1 : 1
X ± 3'					DRAWING NO. 000599
					REV. A
					ID NO. XXXXXXXXXX
					SHEET 1 OF 1

DESCRIPTION

QTY UNIT DO NOT SCALE DRAWING

4

3

2

1

NO