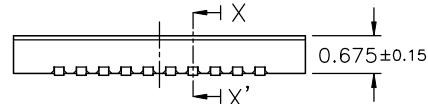
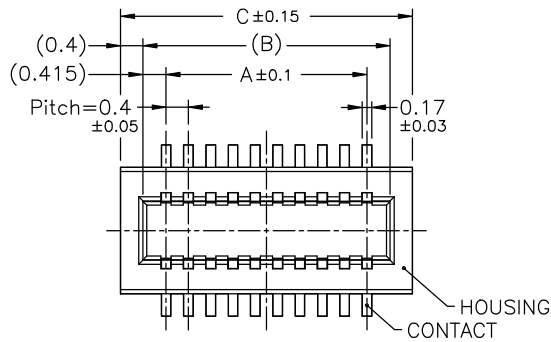


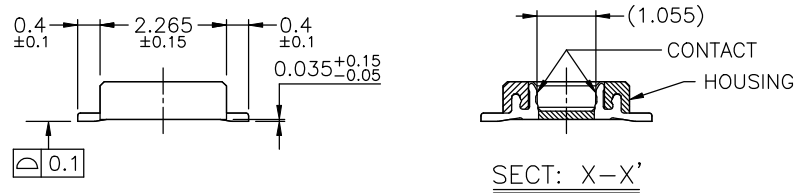
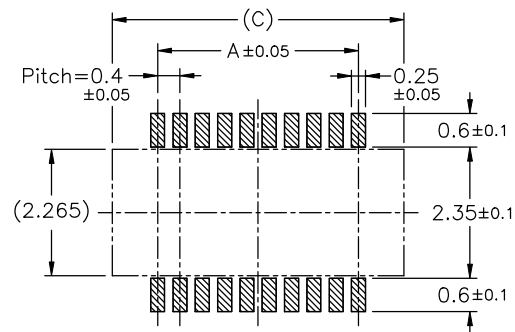
REV.	ECN NO.	DATE
A	RELEASED	2004.12.10

NOTE:

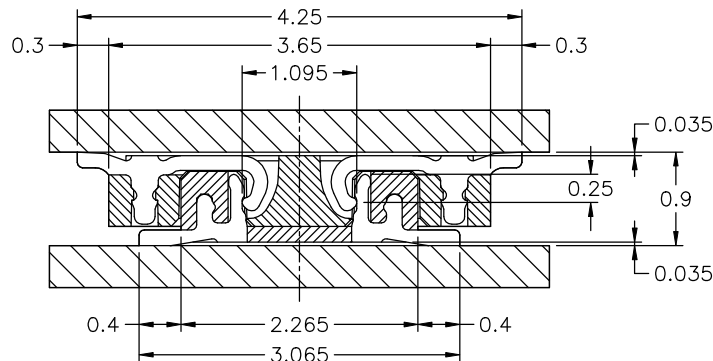
- MATERIAL:
HOUSING:THERMOPLASTIC
CONTACTS:COPPER ALLOY
- PLATING:SEE ORDERING INFORMATION
- PART NO.:
BB409-xxx M - xx xxx
 - 05G-5U" GOLD OVER NICKEL
 - 10G-10U" GOLD OVER NICKEL
 - PACKAGE
TA-EMBOSSED TAPE
TU-TUBE
 - MALE
 - NO. OF CONTACTS
- RATING:
OPERATING VOLTAGE:50V
CURRENT RATING:0.3A
OPERATING TEMPERATURE:-25°C ~ +85°C



PCB Layout



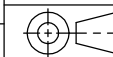
MATED DRAWING(REF.)



SCALE: 15/1

No. of Contacts	Catalog No.	DIM. A	DIM. B	DIM. C
10	BB409-010M	1.6	2.43	3.23
12	BB409-012M	2.0	2.83	3.63
14	BB409-014M	2.4	3.23	4.03
16	BB409-016M	2.8	3.63	4.43
18	BB409-018M	3.2	4.03	4.83
20	BB409-020M	3.6	4.43	5.23
22	BB409-022M	4.0	4.83	5.63
24	BB409-024M	4.4	5.23	6.03
26	BB409-026M	4.8	5.63	6.43
28	BB409-028M	5.2	6.03	6.83
30	BB409-030M	5.6	6.43	7.23
32	BB409-032M	6.0	6.83	7.63
34	BB409-034M	6.4	7.23	8.03
36	BB409-036M	6.8	7.63	8.43
38	BB409-038M	7.2	8.03	8.83
40	BB409-040M	7.6	8.43	9.23
42	BB409-042M	8.0	8.83	9.63
44	BB409-044M	8.4	9.23	10.03
46	BB409-046M	8.8	9.63	10.43
48	BB409-048M	9.2	10.03	10.83
50	BB409-050M	9.6	10.43	11.23
52	BB409-052M	10.0	10.83	11.63
54	BB409-054M	10.4	11.23	12.03
56	BB409-056M	10.8	11.63	12.43
58	BB409-058M	11.2	12.03	12.83
60	BB409-060M	11.6	12.43	13.23
62	BB409-062M	12.0	12.83	13.63
64	BB409-064M	12.4	13.23	14.03
66	BB409-066M	12.8	13.63	14.43
68	BB409-068M	13.2	14.03	14.83
70	BB409-070M	13.6	14.43	15.23
72	BB409-072M	14.0	14.83	15.63
74	BB409-074M	14.4	15.23	16.03
76	BB409-076M	14.8	15.63	16.43
78	BB409-078M	15.2	16.03	16.83
80	BB409-080M	15.6	16.43	17.23

TOLERANCE UNLESS SPECIFIED	SHEET 2/4	DR. BY Bonnie LI	MATERIAL SEE NOTE 1
LINEAR	SCALE 8/1	CHK. BY S.T.LIN	FINISH SEE NOTE 2
ANGLE	UNIT mm	APP. BY S.T.LIN	PART NO. SEE NOTE 3
.X			
.XX			
.XXX			



TITLE 0.4mm Pitch B-TO-B Connector
DWG NO. BB409