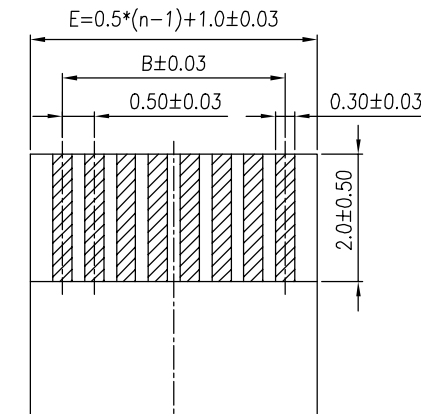
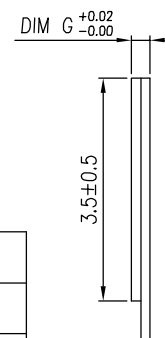
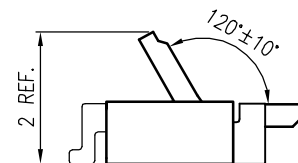
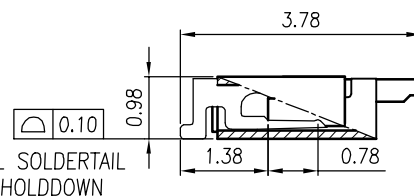


RECOMMENDED PCB LAYOUT
Tolerance: ±0.05



Applicable FPC/FFC recommended dimension

TABLE		
PART NO.	DIM G	COLOR
FP104-XX4X4	0.30	BLACK
FP104-XX4X4-G1	0.20	NATURAL

■ **MATERIALS:**
HOUSING: HIGH-TEMP, UL94V-0, COLOR: NATURAL.
COVER: HIGH-TEMP, UL94V-0, COLOR: SEE TABLE
CONTACT: COPPER ALLOY.
HOLDDOWN: COPPER ALLOY.

■ **PART NO.**
FP 1 0 4 - XX 4 X 4 - XX
Ⓐ Ⓑ Ⓒ

- Ⓐ XX : NO. OF CONTACTS 04 - 50 PIN
- Ⓑ X : PLATING
- M : TERMINAL AND HOLDDOWN ALL TIN, LEAD FREE (MATTED)
- GM : TERMINAL GOLD 1u" , HOLDDOWN TIN, LEAD FREE (MATTED)
- Ⓒ XX : SPACE : STANDARD
- G1 : FOR 0.2t FPC/FFC (NATURAL)

REV	ECN NO.	NAME	DATE	TOLERANCE		APPD:	MAT'L:	CHKD:	FINISH:	Q'TY:	TITLE:			
				LINEAR	ANGLES						FFC/FPC 0.5 PITCH CONNECTOR, ZIF SMT TYPE, BODY HIGH 0.9mm.			
H	10026	Willson	May,21,2010								PART NO. FP104-XX4X4-XX			
G	10009	Willson	Feb,23,2010	X.±0.40	X'.±						DWG NO. FP1007001			
F	09048	Willson	Oct,14,2009	.X±0.30	.X'±	Jason		Schumi			UNITS	SCALE	SHEET	REV
E	09007	Terry	Feb,19,2009	.XX±0.20	.XX'±						MM	1 : 1	1 OF 2	H
				.XXX±0.10	.XXX'±	Terry								

POS.	A	B	C	D	E	F
04P	4.00	1.50	2.5	3.35	2.5	2.60
05P	4.50	2.00	3.0	3.85	3.0	3.10
06P	5.00	2.50	3.5	4.35	3.5	3.60
07P	5.50	3.00	4.0	4.85	4.0	4.10
08P	6.00	3.50	4.5	5.35	4.5	4.60
09P	6.50	4.00	5.0	5.85	5.0	5.10
10P	7.00	4.50	5.5	6.35	5.5	5.60
11P	7.50	5.00	6.0	6.85	6.0	6.10
12P	8.00	5.50	6.5	7.35	6.5	6.60
13P	8.50	6.00	7.0	7.85	7.0	7.10
14P	9.00	6.50	7.5	8.35	7.5	7.60
15P	9.50	7.00	8.0	8.85	8.0	8.10
16P	10.00	7.50	8.5	9.35	8.5	8.60
17P	10.50	8.00	9.0	9.85	9.0	9.10
18P	11.00	8.50	9.5	10.35	9.5	9.60
19P	11.50	9.00	10.0	10.85	10.0	10.10
20P	12.00	9.50	10.5	11.35	10.5	10.60
21P	12.50	10.00	11.0	11.85	11.0	11.10
22P	13.00	10.50	11.5	12.35	11.5	11.60

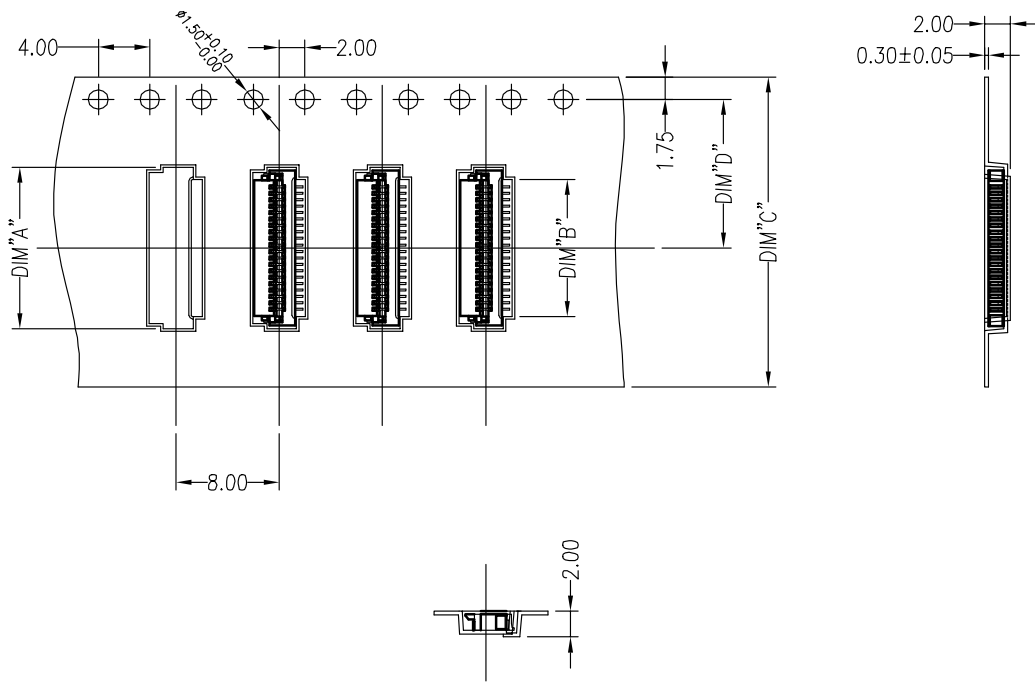
POS.	A	B	C	D	E	F
23P	13.50	11.00	12.0	12.85	12.0	12.10
24P	14.00	11.50	12.5	13.35	12.5	12.60
25P	14.50	12.00	13.0	13.85	13.0	13.10
26P	15.00	12.50	13.5	14.35	13.5	13.60
27P	15.50	13.00	14.0	14.85	14.0	14.10
28P	16.00	13.50	14.5	15.35	14.5	14.60
29P	16.50	14.00	15.0	15.85	15.0	15.10
30P	17.00	14.50	15.5	16.35	15.5	15.60
31P	17.50	15.00	16.0	16.85	16.0	16.10
32P	18.00	15.50	16.5	17.35	16.5	16.60
33P	18.50	16.00	17.0	17.85	17.0	17.10
34P	19.00	16.50	17.5	18.35	17.5	17.60
35P	19.50	17.00	18.0	18.85	18.0	18.10
36P	20.00	17.50	18.5	19.35	18.5	18.60
37P	20.50	18.00	19.0	19.85	19.0	19.10
38P	21.00	18.50	19.5	20.35	19.5	19.60
39P	21.50	19.00	20.0	20.85	20.0	20.10
40P	22.00	19.50	20.5	21.35	20.5	20.60
50P	27.00	24.50	25.5	26.35	25.5	25.60

TOLERANCE	
LINEAR	ANGLES
X±	X'±
.X±	.X'±
.XX±	.XX'±
.XXX±	.XXX'±

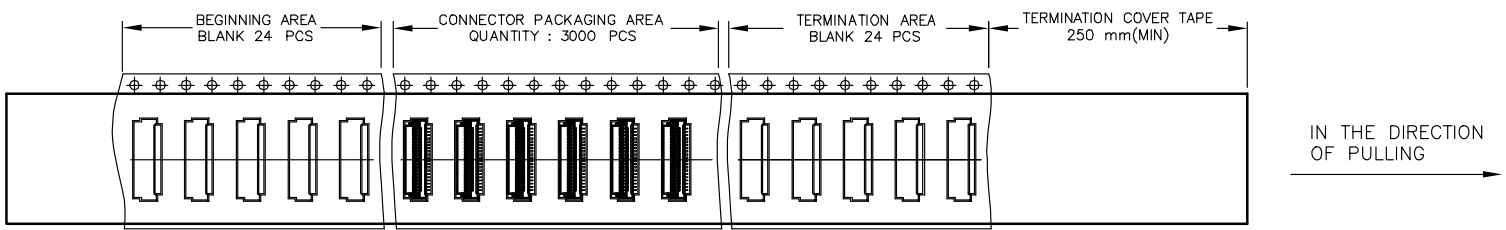
APPD:	Jason	MAT'L:	
CHKD:	Schumi	FINISH:	
DRWN:	Terry	Q'TY:	

TITLE:				FFC/FPC 0.5 PITCH CONNECTOR, ZIF SMT TYPE , BODY HIGH 0.9mm.			
PART NO.				FP104-XX4X4-XX			
DWG NO.				FP1007001			
	UNITS	SCALE	SHEET	REV			
	MM	1 : 1	2 OF 2	H			

See Sheet 1			
REV	ECN NO.	NAME	DATE



- NOTE:**
1. REEL MATERIAL: PS
 2. CARRIER MATERIAL: PS
 3. COVERTAPE MATERIAL:PS
 4. 10 sprocket hole pitch cumulative tolerance±0.2mm.
 5. A measured on a plane 0.3mm above the bottom of the pocket.
 6. Material:Transparent Conductive Polystyrene.
 7. Thickness:0.30±0.05mm.
 8. Packing length per reel: 24.60 Meters.
 9. Component loader 13" reel: 3000 pcs



COMPOSITION OF PACKAGING
WIDTH : 24 mm Carrier

				TOLERANCE				TITLE: FP104 SERIES TAPE & REEL PACKAGING				
				LINEAR	ANGLES			PART NO.				
				X±	X'±			DWG NO. FP1004001				
A	09072	Willson	Dec,02,2009	.XX±	.XX'±	APPD: Jason	MAT'L:		UNITS	SCALE	SHEET	REV
REV	ECN NO.	NAME	DATE	.XXX±	.XXX'±	CHKD: Schumi	FINISH:		MM	1 : 1	1 OF 3	A
						DRWN: Willson	Q'TY:					

■ DIMENSION TABLE

No. OF POS	ITEM				No. OF POS	ITEM			
	DIM"A"	DIM"B"	DIM"C"	DIM"D"		DIM"A"	DIM"B"	DIM"C"	DIM"D"
4	4.50	2.60	24.00	11.50	28	16.50	14.60	32.00	28.50
5	5.00	3.10	24.00	11.50	29	17.00	15.10	32.00	28.50
6	5.50	3.60	24.00	11.50	30	17.50	15.60	32.00	28.50
7	6.00	4.10	24.00	11.50	31	18.00	16.10	32.00	28.50
8	6.50	4.60	24.00	11.50	32	18.50	16.60	32.00	28.50
9	7.00	5.10	24.00	11.50	33	19.00	17.10	32.00	28.50
10	7.50	5.60	24.00	11.50	34	19.50	17.60	32.00	28.50
11	8.00	6.10	24.00	11.50	35	20.00	18.10	44.00	40.40
12	8.50	6.60	24.00	11.50	36	20.50	18.50	44.00	40.40
13	9.00	7.10	24.00	11.50	37	21.00	19.10	44.00	40.40
14	9.50	7.60	24.00	11.50	38	21.50	19.60	44.00	40.40
15	10.00	8.10	24.00	11.50	39	22.00	20.10	44.00	40.40
16	10.50	8.60	24.00	11.50	40	22.50	20.60	44.00	40.40
17	11.00	9.10	24.00	11.50	41	23.00	21.10	44.00	40.40
18	11.50	9.60	24.00	11.50	42	23.05	21.60	44.00	40.40
19	12.00	10.10	24.00	11.50	43	24.00	22.10	44.00	40.40
20	12.50	10.60	24.00	11.50	44	24.50	22.60	44.00	40.40
21	13.00	11.10	24.00	11.50	45	25.00	23.10	44.00	40.40
22	13.50	11.60	24.00	11.50	46	25.50	23.60	44.00	40.40
23	14.00	12.10	24.00	11.50	47	26.00	24.10	44.00	40.40
24	14.50	12.60	24.00	11.50	48	26.50	24.60	44.00	40.40
25	15.00	13.10	24.00	11.50	49	27.00	25.10	44.00	40.40
26	15.50	13.60	32.00	28.50	50	27.50	25.60	44.00	40.40
27	16.00	14.10	32.00	28.50					

A

B

C

D

E

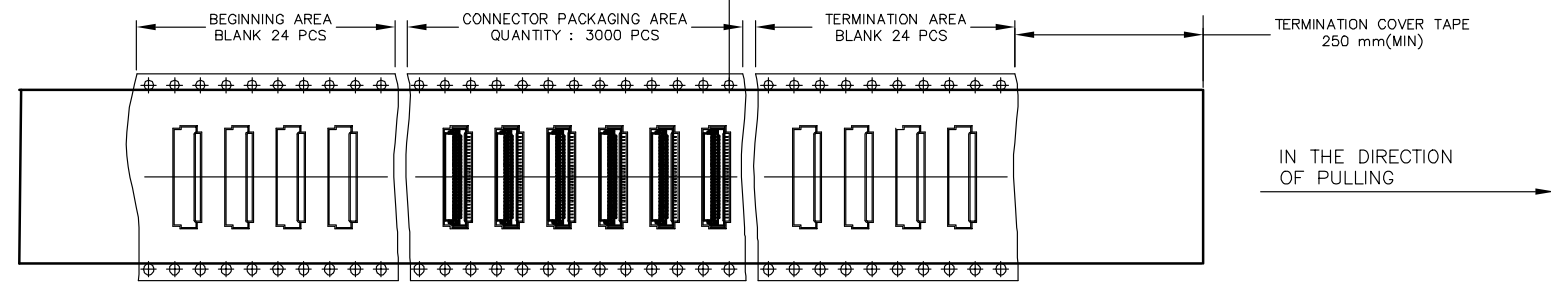
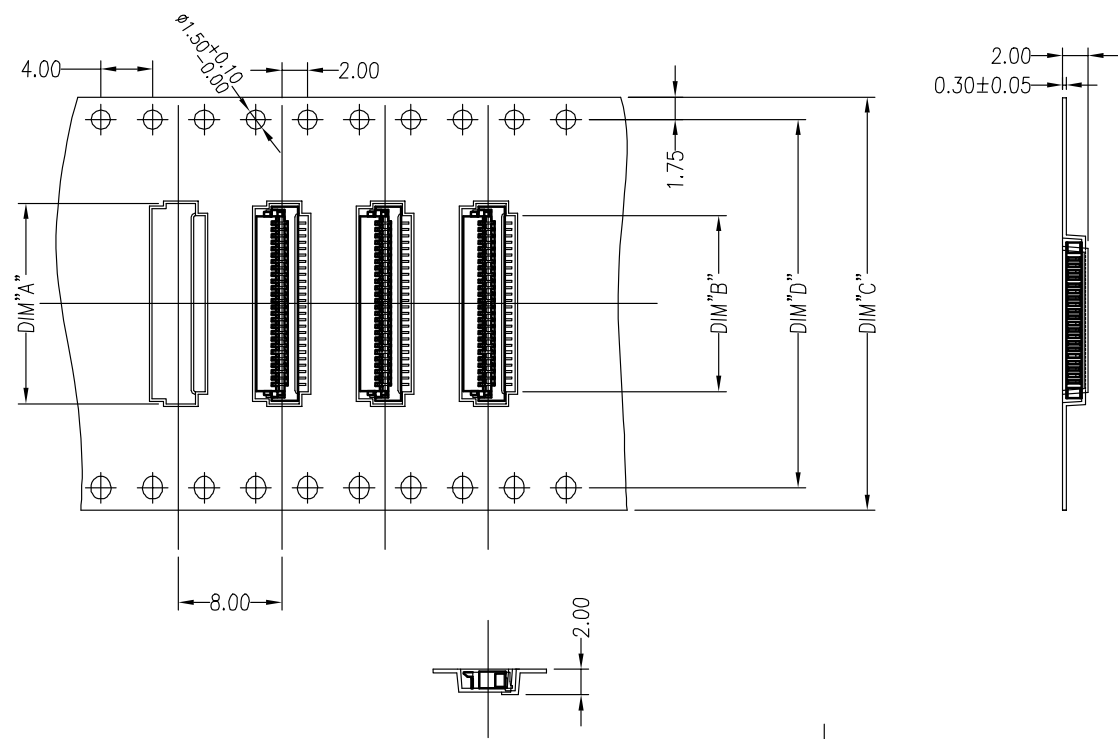
A

B

C

D

E

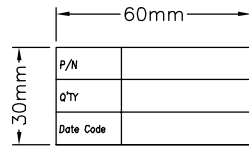
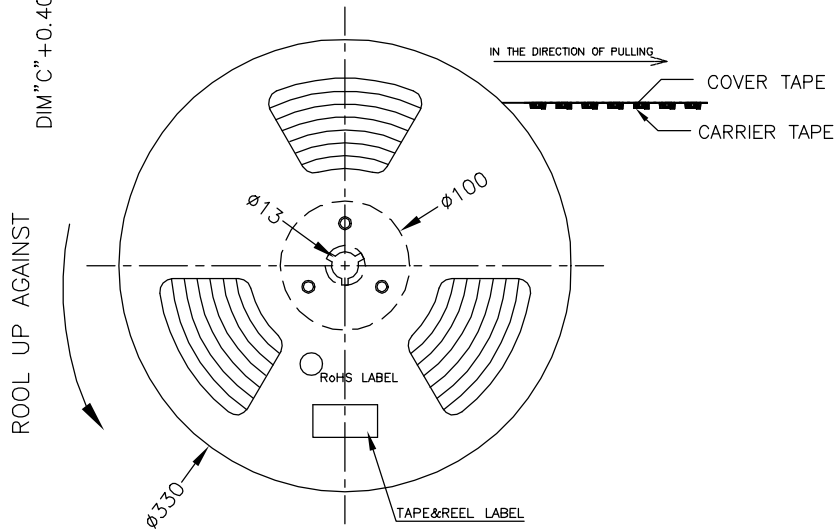
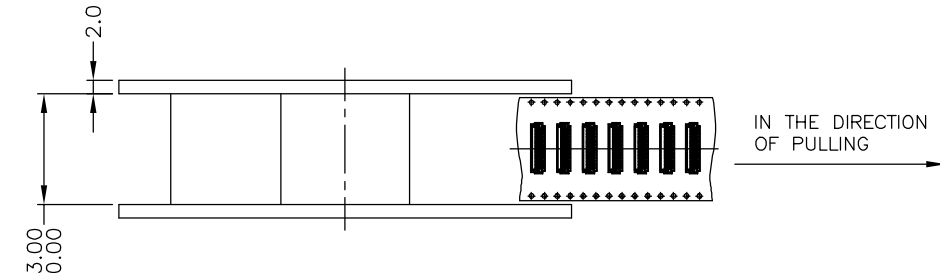


COMPOSITION OF PACKAGING
WIDTH : 32/44 mm Carrier

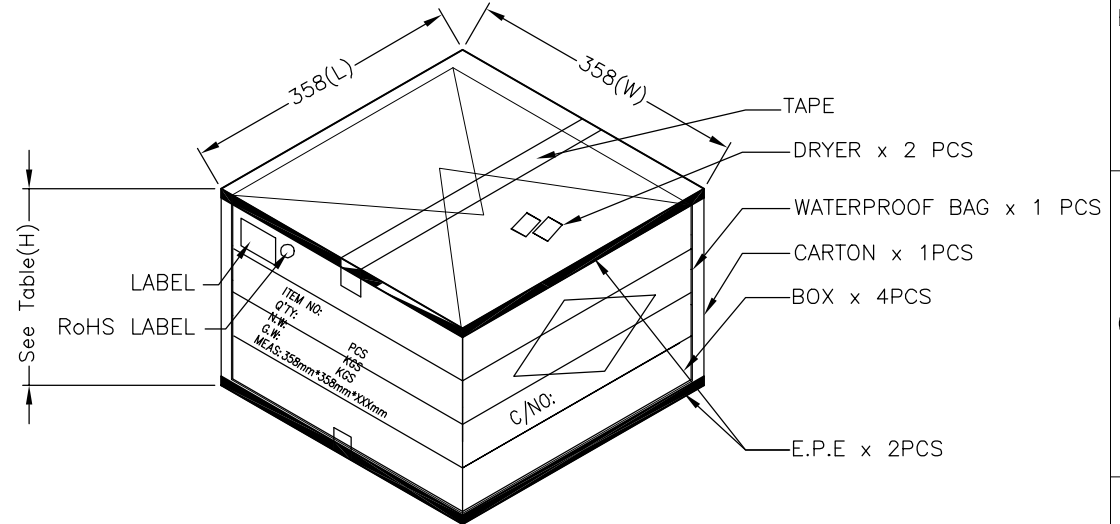
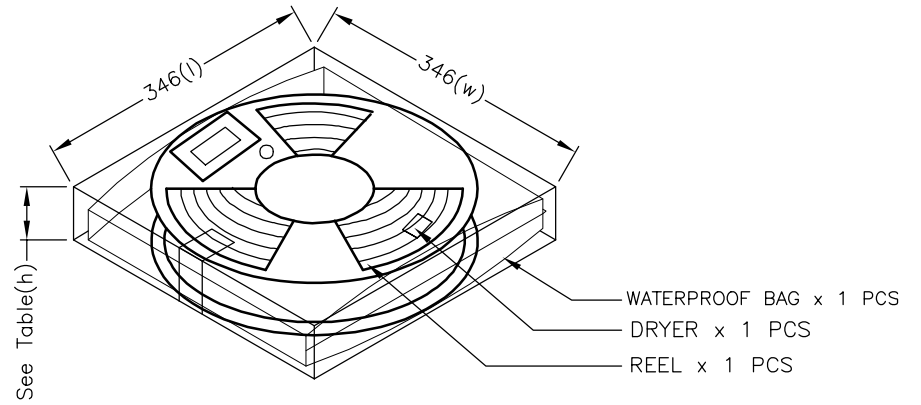
TOLERANCE	
LINEAR	ANGLES
X.±	X'.±
.X±	.X'±
.XX±	.XX'±
.XXX±	.XXX'±

TITLE: FP104 SERIES TAPE & REEL PACKAGING		PART NO.			
APPD: Jason		MAT'L:			
CHKD: Schumi		FINISH:			
DRWN: Willson		Q'TY:			
DWG NO. FP1004001		UNITS	SCALE	SHEET	REV

See Sheet 1			
REV	ECN NO.	NAME	DATE



TAPE & REEL LABEL: L60mm*W30mm



■ DIMENSION TABLE

NO. OF POS	NO.OF REEL	PACKAGING QUANTITY(PCS)	Box	Carton
4~25	4	12000	346mm(L)X346mm(w)X35mm(h)	358mm(L)X358mm(W)X205mm(H)
26~34	4	12000	346mm(L)X346mm(w)X43mm(h)	358mm(L)X358mm(W)X237mm(H)
35~50	4	12000	346mm(L)X346mm(w)X55mm(h)	358mm(L)X358mm(W)X285mm(H)

TOLERANCE		TITLE: FP104 SERIES TAPE & REEL PACKAGING		PART NO.			
LINEAR	ANGLES						
X.±	X'.±	APPD: Jason	MAT'L:	DWG NO. FP1004001			
.X±	.X'±	CHKD: Schumi	FINISH:	UNITS	SCALE	SHEET	REV
.XX±	.XX'±	DRWN: Willson	Q'TY:				
.XXX±	.XXX'±						

REV	ECN NO.	NAME	DATE
	See Sheet 1		