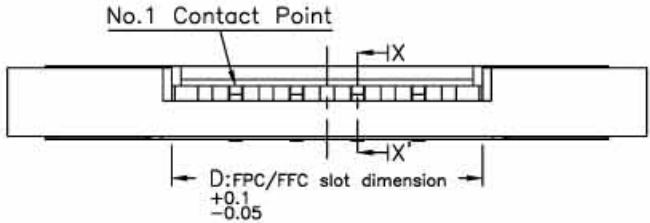
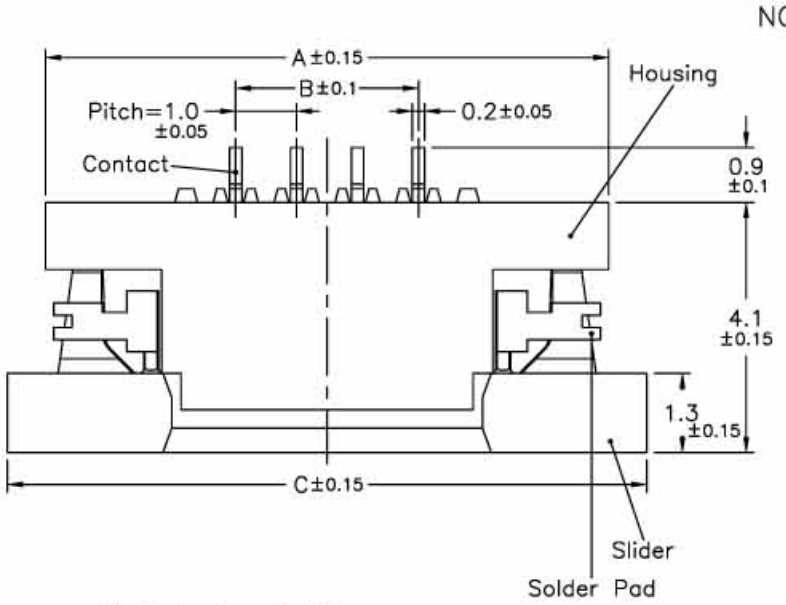
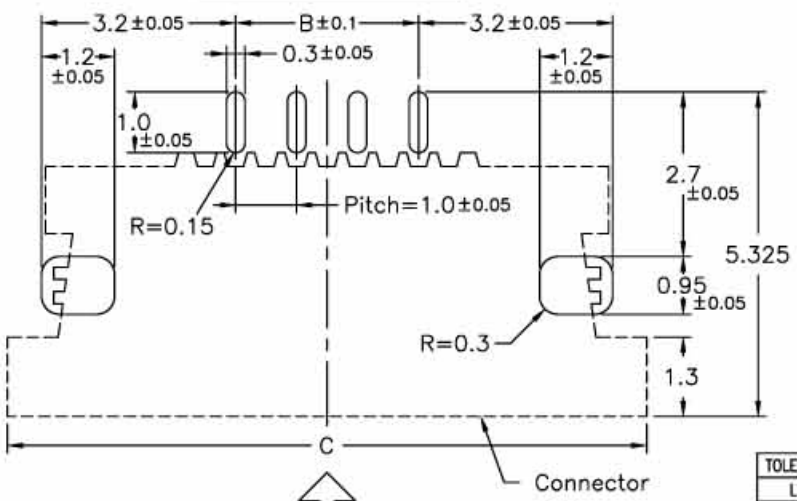


| REV. | ECN NO.  | DATE       |
|------|----------|------------|
| A    | RELEASED | 9/4/2001   |
| B    | 020201   | 2/1/2002   |
| C    | 410001   | 10/19/2004 |

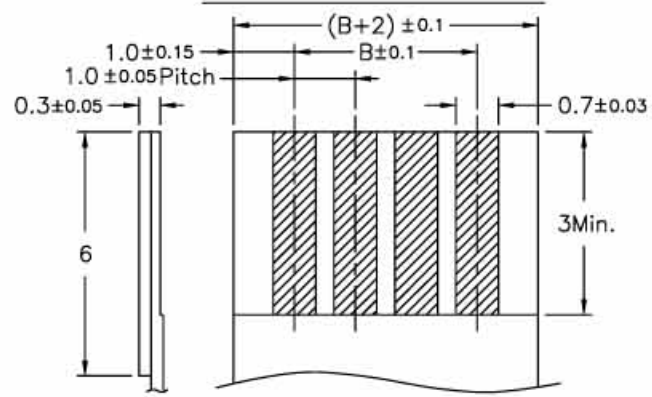
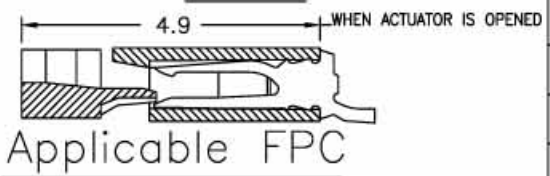
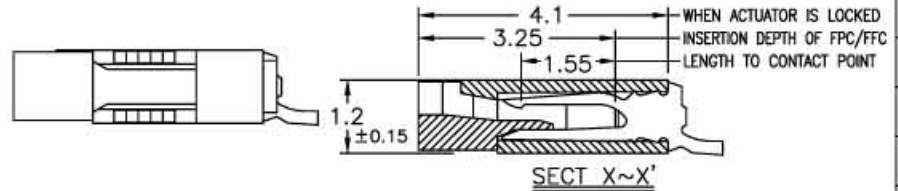


**PCB Layout**



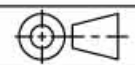
**NOTE:**  
 1.MATERIAL:  
 HOUSING:THERMOPLASTIC  
 SLIDER:THERMOPLASTIC  
 CONTACTS:COPPER ALLOY  
 SOLDER PAD:COPPER ALLOY  
 2.PLATING:  
 CONTACTS:SEE ORDERING INFORMATION  
 SOLDER PAD:SEE ORDERING INFORMATION  
 3.PART NO.:  
 BL117-xx RU -xx xx  
 SERIES NO. OF CONTACTS  
 4.RATING:  
 OPERATING VOLTAGE:50V  
 CURRENT RATING:0.5A  
 OPERATING TEMPERATURE:-55°C ~ +85°C

- 00-TIN/LEAD OVER NICKEL
- ND-TIN OVER NICKEL(LEAD FREE)
- 1G-1U" GOLD OVER NICKEL
- 3G-3U" GOLD OVER NICKEL
- PACKAGING
- TA-EMBOSSED TAPE
- TU-TUBE
- RIGHT ANGLE(UPPER CONTACT TYPE)



| No.of Contacts | Part Number | DIM. A | DIM. B | DIM. C | DIM. D |
|----------------|-------------|--------|--------|--------|--------|
| 4              | BL117-04RU  | 9.25   | 3      | 10.5   | 5.1    |
| 5              | BL117-05RU  | 10.25  | 4      | 11.5   | 6.1    |
| 6              | BL117-06RU  | 11.25  | 5      | 12.5   | 7.1    |
| 7              | BL117-07RU  | 12.25  | 6      | 13.5   | 8.1    |
| 8              | BL117-08RU  | 13.25  | 7      | 14.5   | 9.1    |
| 9              | BL117-09RU  | 14.25  | 8      | 15.5   | 10.1   |
| 10             | BL117-10RU  | 15.25  | 9      | 16.5   | 11.1   |
| 11             | BL117-11RU  | 16.25  | 10     | 17.5   | 12.1   |
| 12             | BL117-12RU  | 17.25  | 11     | 18.5   | 13.1   |
| 13             | BL117-13RU  | 18.25  | 12     | 19.5   | 14.1   |
| 14             | BL117-14RU  | 19.25  | 13     | 20.5   | 15.1   |
| 15             | BL117-15RU  | 20.25  | 14     | 21.5   | 16.1   |
| 16             | BL117-16RU  | 21.25  | 15     | 22.5   | 17.1   |
| 17             | BL117-17RU  | 22.25  | 16     | 23.5   | 18.1   |
| 18             | BL117-18RU  | 23.25  | 17     | 24.5   | 19.1   |
| 19             | BL117-19RU  | 24.25  | 18     | 25.5   | 20.1   |
| 20             | BL117-20RU  | 25.25  | 19     | 26.5   | 21.1   |
| 21             | BL117-21RU  | 26.25  | 20     | 27.5   | 22.1   |
| 22             | BL117-22RU  | 27.25  | 21     | 28.5   | 23.1   |
| 23             | BL117-23RU  | 28.25  | 22     | 29.5   | 24.1   |
| 24             | BL117-24RU  | 29.25  | 23     | 30.5   | 25.1   |

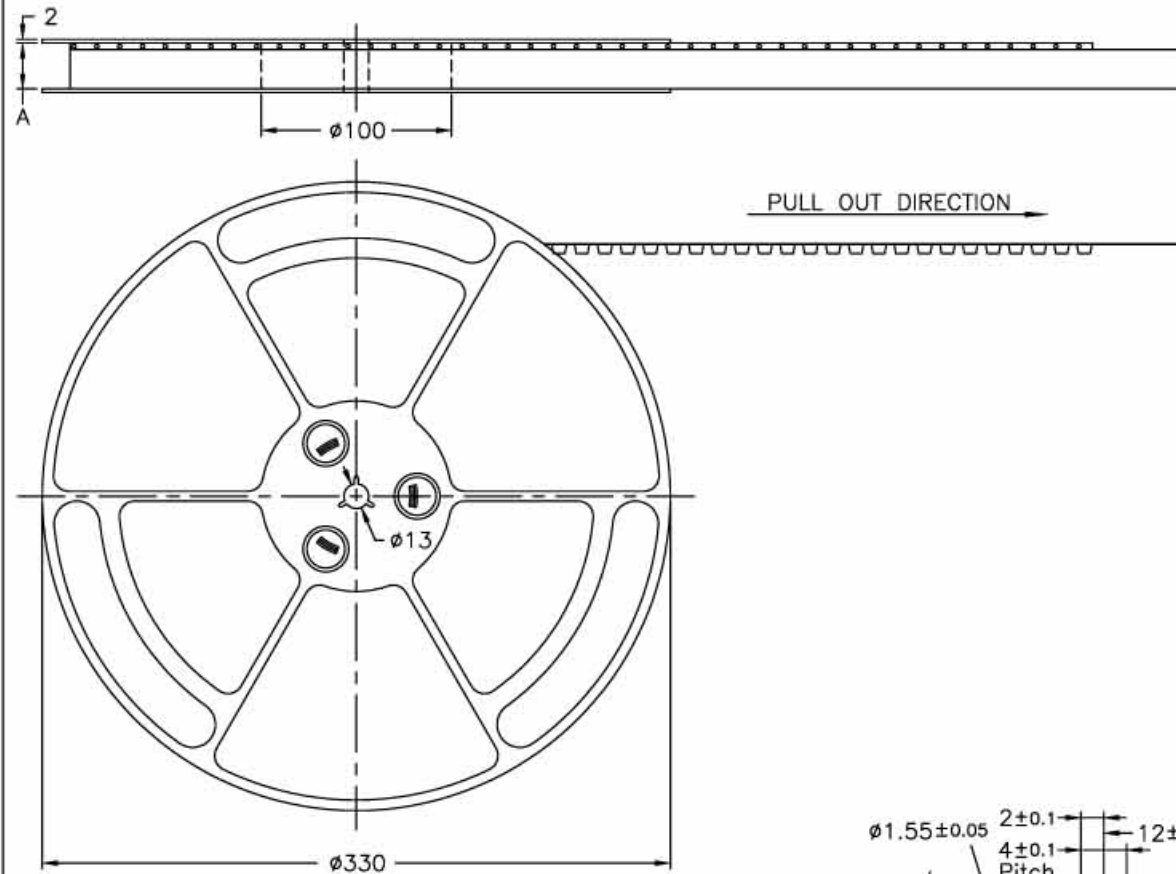
| TOLERANCE UNLESS SPECIFIED |       | REV.  | C   | DR. BY          | MATERIAL             |
|----------------------------|-------|-------|-----|-----------------|----------------------|
| LINEAR                     | ANGLE | SHEET | 2/3 | Bonnie Li       | See Note 1.          |
| X ±0.2                     | X'    | SCALE | 8/1 | CHK. BY S.T.LIN | FINISH See Note 2.   |
| .XX ±0.15                  | .X'   | UNIT  | mm  | APP. BY S.T.LIN | DATE 2/1/2002        |
| .XXX ±0.05                 |       |       |     |                 | PART NO. See Note 3. |



TITLE 1.0mm Pitch FPC/FFC Connector  
 DWG NO. C1/BOOK/BOOK/BL117/HP

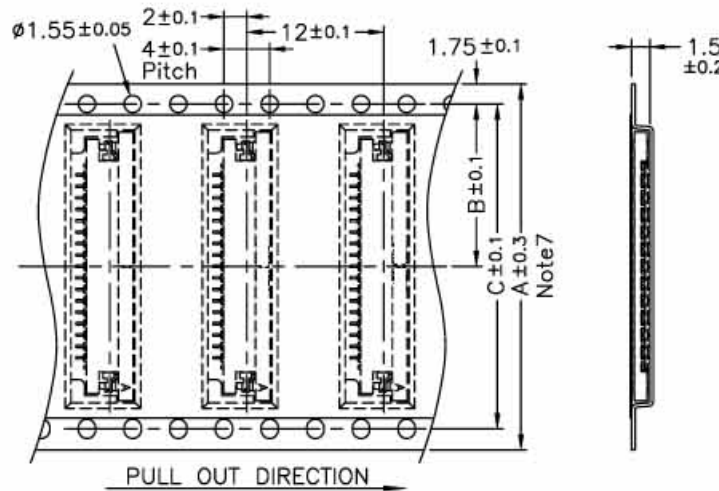
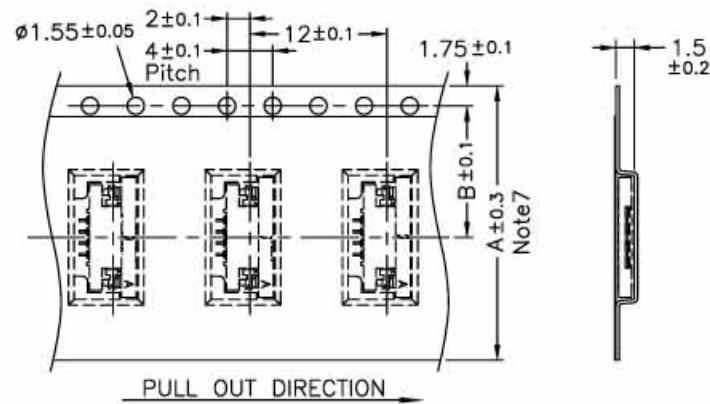
# EMBOSSED TAPE PACKING BL117 SERIES RIGHT ANGLE TYPE

| REV. | ECN NO.  | DATE       |
|------|----------|------------|
| A    | RELEASED | 9/4/2001   |
| B    | 201024   | 1/24/2002  |
| C    | 306007   | 6/18/2003  |
| D    | 410001   | 10/19/2004 |



### Note:

- 1.10 sprocket hole pitch cumulative tolerance  $\pm 0.2$
2. Carrier camber is within 1 mm in 100mm.
3. Material : Black Conductive Polystyrene Alloy  
100% recyclable.
4. All dimensions meet EIA-481-B requirements.
5. Thickness :  $0.3 \pm 0.05$ mm.
6. Component load per 13" reel : 3000 pcs.
7. For tape width (dimension A) 24mm a pilot hole is provided on one side.  
For tape width (dimension A) 32mm and 44mm pilot holes are provided on both sides.



### Note7

| No. of Contacts | Part Number              | DIM. A | DIM. B | DIM. C |
|-----------------|--------------------------|--------|--------|--------|
| 4               | BL117-04RL<br>BL117-04RU | 24     | 11.5   | —      |
| 10              | BL117-10RL<br>BL117-10RU |        |        |        |
| 11              | BL117-11RL<br>BL117-11RU | 32     | 14.2   | 28.4   |
| 16              | BL117-16RL<br>BL117-16RU |        |        |        |
| 17              | BL117-17RL<br>BL117-17RU | 44     | 20.2   | 40.4   |
| 24              | BL117-24RL<br>BL117-24RU |        |        |        |

| TOLERANCE UNLESS SPECIFIED |       | REV.  | D   | DR. BY    | MATERIAL               |
|----------------------------|-------|-------|-----|-----------|------------------------|
| LINEAR                     | ANGLE | SHEET | 3/3 | Bonnie Li | See Note3              |
| .X                         | .X    | SCALE |     | CHK. BY   | FINISH                 |
| .XX                        | .X    | UNIT  | mm  | S.T.LIN   | DATE 6/18/2003         |
| .XXX                       |       |       |     | APP. BY   | PART NO. BL117-xxRU&RL |



TITLE 1.0mm Pitch FPC/FFC Connector  
DWC NO. C1/BOOK/BOOK/BL117/HP