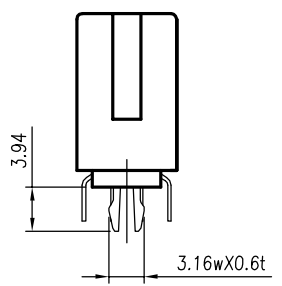
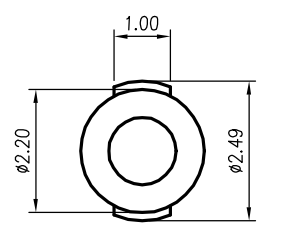
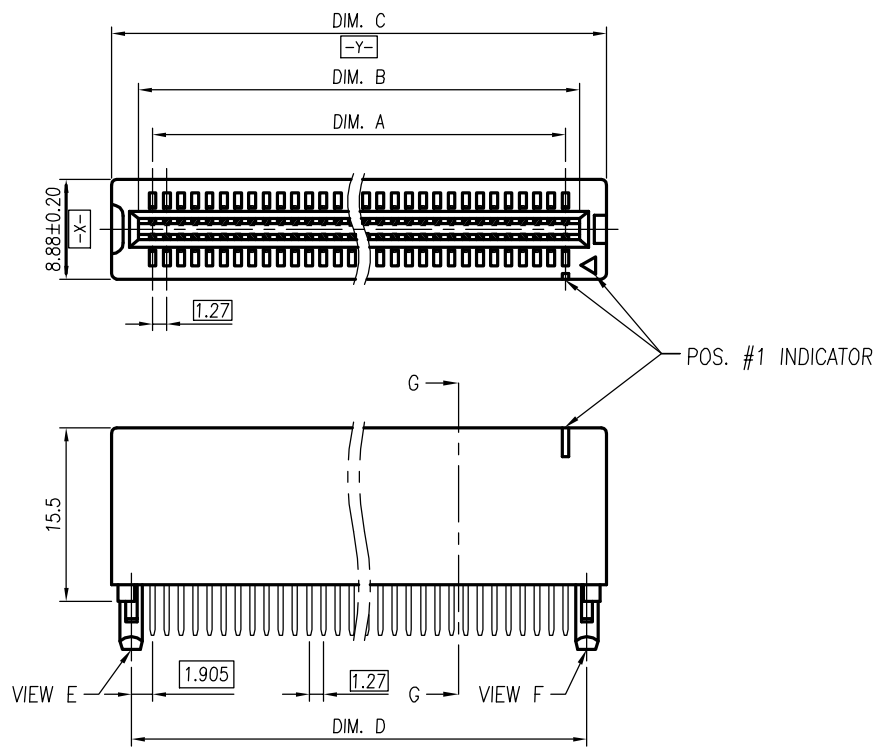


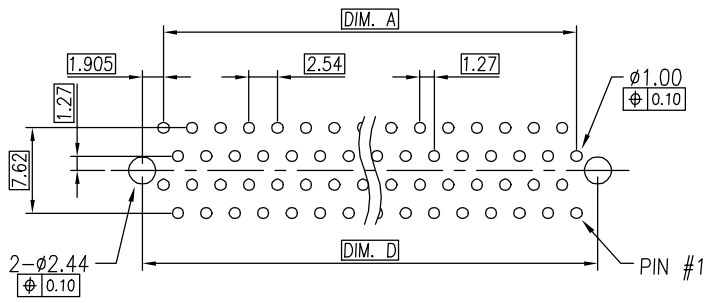
SECTION G-G
Post Type



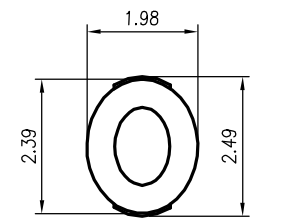
Clip Type



VIEW E SCALE 5 : 1



RECOMMENDED PCB LAYOUT (TOP VIEW)
Tolerance: ±0.05



VIEW F SCALE 5 : 1

				TOLERANCE				TITLE: MCA Single Bay SLOT 1.27mm Pitch					
				LINEAR	ANGLES			PART NO. 1					
				X.±0.40	X'±			DWG NO. 1					
0	---	Schumi	May,24,2006	.XX±0.20	.XX'±	APPD:	Jason	MAT'L:		UNITS	SCALE	SHEET	REV
REV	ECN NO.	NAME	DATE	.XXX±0.10	.XXX'±	CHKD:	Schumi	FINISH:		MM	1 : 1	1 OF 2	0
						DRWN:	Willson	Q'TY:					

MATERIAL

INSULATOR: GLASS-REINFORCED THERMOPLASTIC.
 CONTACT: COPPER ALLOY.
 PLATING: MATING AREA - SELECTED GLOD OVER NICKEL.
 SOLDER AREA - TIN OVER NICKEL.

ELECTRICAL

VOLTAGE RATING: 250 VAC RMS.
 CURRENT RATING: 1 AMP.
 DIELECTRICAL WITHSTANDING VOLTAGE: 500 VAC RMS 60 Hz FOR 1 MINUTE.
 INSULATION RESISTANCE: 1000 MEGOHMS MIN AT 500 VDC.
 CONTACT RESISTANCE: 30 MILLIOHMS MAX AT 1 AMP DC.

MECHANICAL

RETENTION FORCE: 460 GRAMS MIN PER CONTACT.
 INSERTION FORCE: 230 GRAMS MAX PER CONTACT PER.
 WITHDRAWAL FORCE: 15 GRAMS MIN PER CONTACT PER.

ENVIRONMENTAL

TEMPERATURE RANGE: -55°C TO +85°C.

PART NO.

Series No. _____ P A XXX X X 3 X X XX Q X
 P: PCI Series
 Bay No. _____
 A: Single Bay
 No. Of Pins _____
 Insulator _____
 N: NY 66
 N4: NY 46
 Contact _____
 B: Brass
 P: Phosphor Bronze
 Contact Thickness _____
 3: 0.3mm
 Tail Length (DIM. K) _____
 3: 3.00mm

Color
 C: Coffee
 Post Type
 C: Clip
 P: Post
 Q: Post With Rib
 Gold Plating
 01: 1u" Gold
 15: 15u" Gold
 Plating
 L: Lead Free, Bright
 M: Lead Free, Matte

Pos. No.	DIM. A	DIM. B	DIM. C	DIM. D	Post	
					E	F
22	12.70	15.24	20.07	--	●	
30	17.78	20.32	25.15	--	●	
40	24.13	26.67	31.50	27.94	●	●
50	30.48	33.02	37.85	34.29	●	●
60	36.83	39.37	44.20	40.64	●	●
68	41.91	44.45	49.28	45.72	●	●

		TOLERANCE						TITLE: MCA Single Bay SLOT 1.27mm Pitch				
		LINEAR	ANGLES					PART NO. 1				
		X.±	X'.±	APPD: Jason		MAT'L:		DWG NO. 1				
		.XX±	.XX'±	CHKD: Schumi	FINISH:			UNITS	SCALE	SHEET	REV	
REV	ECN NO.	NAME	DATE	.XXX±	.XXX'±	DRWN: Willson	Q'TY:					MM
	See Sheet 1							