

Panel-mount Adapter "MA-F1"

Thank you for purchasing the Panel-mount Adapter MA-F1. This adapter allows you to mount your FRENIC-Eco series of inverters using the mounting holes for an existing inverter (FRENIC 5000P11S 5.5 kW/15 kW/30 kW).

(The FRENIC5000P11S 7.5 kW/11 kW/18.5 kW/22 kW can be replaced with the FRENIC-Eco series without this adapter.)

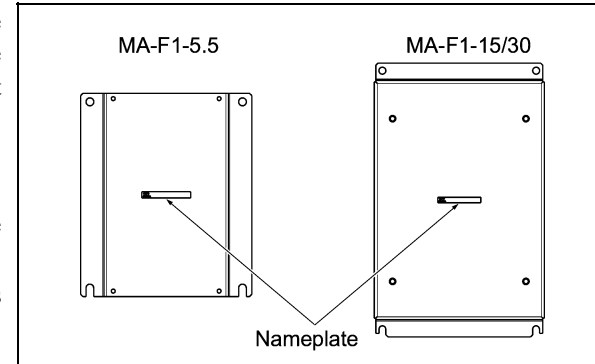
CAUTION

- Do not touch the sharp edges of metallic components.
Doing so could cause injuries.
- Do not use screws other than the ones included in the kit.
Doing so could cause a drop of the inverter and injuries.
- Do not support the inverter by the terminal cover or the front cover during moving or transporting the inverter.
Doing so could cause a drop of the inverter and injuries.
- Prevent lint, paper fibers, sawdust, dust, metallic chips, or other foreign materials from getting into the inverter or from accumulating on the heat sink.
Otherwise, a fire or an accident might result.
- Do not install or operate an inverter that is damaged or lacking parts.
Doing so could cause fire, an accident or injuries.

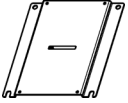
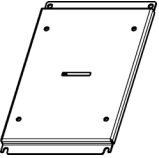
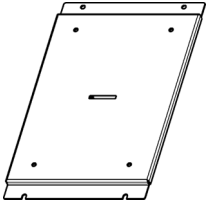
1. Check that:

- All the component parts of the Adapter including the screws are contained in the package. Check if the appropriate types of screws are included according to the model of the Adapter. See 2. Panel-mount Adapter Models and Applicable Inverter Models for details.
- The Adapter is not damaged during transportation - no dents, bends, warp, or scratches.
- The Adapter is a model you ordered. You may check the model name (see the table below) printed on the nameplate (shown at the right).

If you suspect the product is not working properly or if you have any questions about your product, contact your Fuji Electric representative.



2. Panel-mount Adapter Models and Applicable Inverter Models

Model Name of Adapter and Accompanying Screws	Applicable Inverter Models	
	FRENIC-Eco	FRENIC5000P11S
MA-F1-5.5  4 (M5 × 15) cross recessed pan head screws with captive washer	FRN5.5F1S-2□ FRN5.5F1S-4□	FRN5.5P11S-2 FRN5.5P11S-4
MA-F1-15  4 (M8 × 25) cross recessed pan head screws with captive washer	FRN15F1S-2□ FRN15F1S-4□	FRN15P11S-2 FRN15P11S-4
MA-F1-30  4 (M8 × 25) cross recessed pan head screws with captive washer	FRN30F1S-2□ FRN30F1S-4□	FRN30P11S-2 FRN30P11S-4

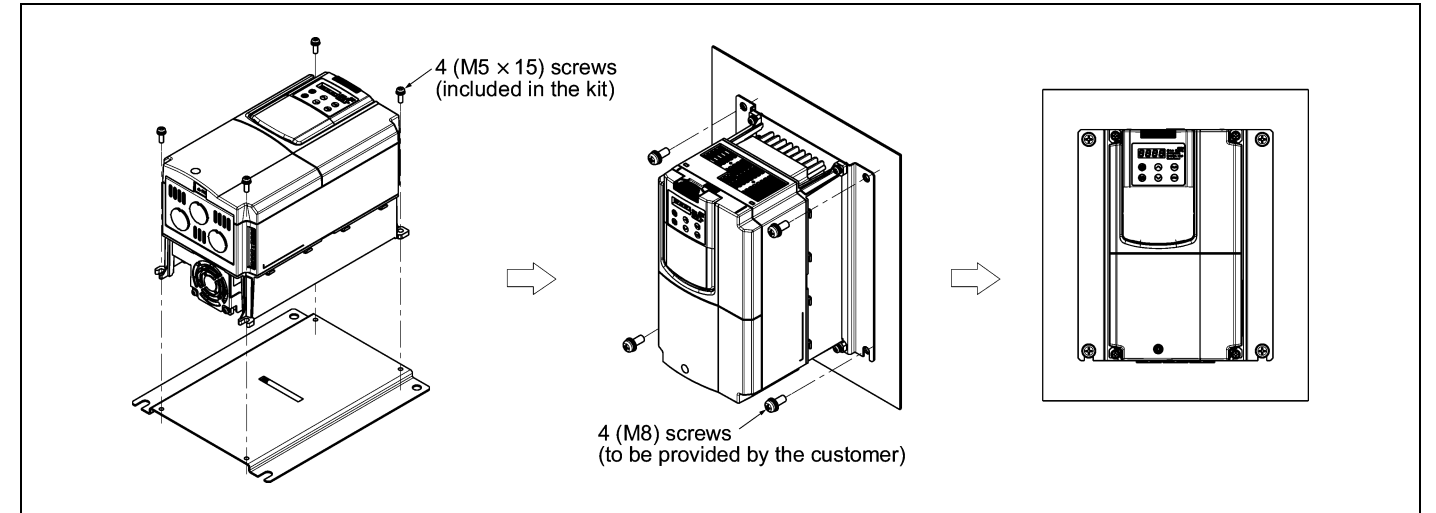
Note A box (□) in the above table replaces A, C, E, or J depending on the shipping destination.

3. Installation

Use the 4 screws included in the kit to install the inverter on the Adapter. To mount the Adapter (with the inverter mounted on it) to the panel, use 4 (M8) screws that match the panel.

■ MA-F1-5.5

- Mount and fix the inverter onto the Adapter with 4 (M5 × 15) screws (tightening torque: 3.5 N·m).
- Mount and fix the Adapter (with the inverter mounted) onto the panel with 4 (M8) screws (to be provided by the customer) (tightening torque: 13.5 N·m).



■ MA-F1-15/30

- Mount and fix the inverter onto the Adapter with 4 (M8 × 25) screws (tightening torque: 13.5 N·m).
- Mount and fix the Adapter (with the inverter mounted) onto the panel with 4 (M8) screws (to be provided by the customer) (tightening torque: 13.5 N·m).

