



EagleDrive³TM

Input: 200 – 240V
1ph/3ph
Output: 200 – 240V
3ph
1/2HP – 3.0HP

Description

EagleDrive³TM consists of a family of Variable Frequency Drives designed to be cost-effective and easy-to-use controls for use with 3-phase induction motors.

Series # 1 covers seven (7) ratings in the power range of 1/2HP to 3.0HP, all suitable for 200 – 240V, single or three-phase input, with 200 – 240Volt, three-phase output. All EagleDrive³ products use open loop voltage and frequency control to regulate the speed of the motor. Digital control is combined with the latest IGBT power semiconductor technology to give a compact, robust solution for special or general-purpose drive applications. The product is easy to use and easy to install. Together with simple programming, EagleDrive³ minimizes the overall applied cost of a drive solution. The full range of EagleDrive³ product is designed to operate on either 200V – 240V 1 or 3-phase input for 1/2 - 3.0HP, or 380V – 480V 3-phase input for 1.0HP – 120HP.

NOTE: For single-phase induction motor control of PSC (Permanent-Split Capacitor) or Shaded-Pole motors, see our EagleDrive¹TM series.

Overview

- Single or Three-Phase Input
- Push-button Keypad as Standard
 - 14 Standard Parameters plus Extended Parameter Set
- Designed for Low Technical Support
- Simple to Install – Contactor style power connections, key holes for mounting
- Easy to Use – "On-board" Helpcard & bright LED display
- Easy to Service – Easy access terminals, local or remote control & programming
- Powerful Performance & Features
- Optional Filters – Meets EMC Standards, conducted & radiated emissions
- Other Options:
 - EagleEye³TM (Hand-held wireless control via optical infrared link)
 - Braking Resistors for Size 2 and larger



- EagleVision³TM (Multi-language WindowsTM-based software manages Parameter sets)
- EagleMouseTM
 - (Optical communication port for RS232)
- PI Controller Module – Supports feedback transducers with either 0-10V (3-wire), or 4-20mA (2-wire) formats
- EagleLinkTM – A parts kit to enable a Master / Slave systems using optical communications
- Meets International Standards
 - UL, CSA (UL508c), CE (EN60204-1, EN50081)

Specifications

- 200 – 240Volt Input (1ph/3ph)
- 200 – 240Volt Output (3ph)
- 2.3 – 10.5Amps Max Output Current
- Max. Ambient Temperature 50° C
- Max. Altitude 6,560 Feet (2,000m)
- Storage temperature range –40° to +60° C
- Enclosure Protection: IP20 / NEMA 1
- Dimensions:
 - Size 1 = 6.10"L x 3.15"W x 5.12"D
 - Size 2 = 10.24"L x 3.98"W x 6.89"D

Series #1

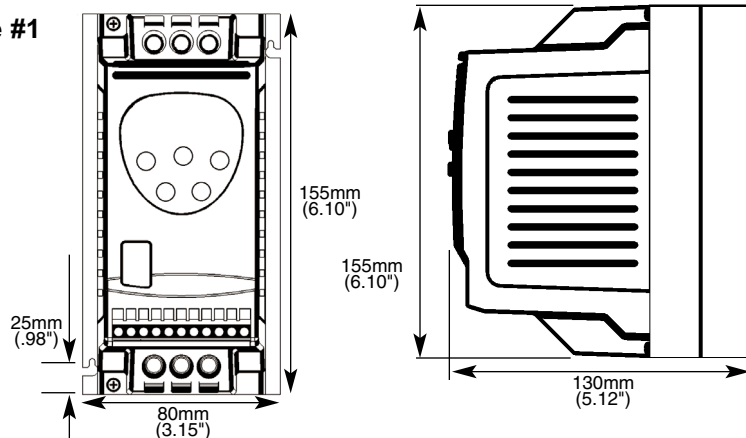
For assistance call 888-456-3398

Technical Features

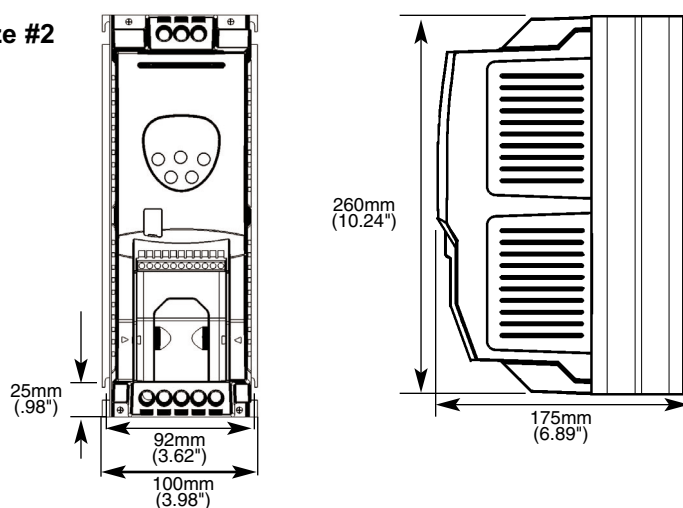
- Power Output: Variable (Fan/Pump) Torque or Constant Torque Selectable
- Drive Efficiency: Typically 95%
- Speed Regulation: 1.0%
- Speed Range: 0 to 30,000 RPM
- Overload Rating: 150% for 60 seconds
- Minimum Full Load Torque: 3Hz
- Selectable 4kHz, 8kHz, 16kHz Inverter Switching Frequency
- Silent Motor Running (32kHz effective switching frequency)
- Power Dip Ride Through
- Auto Restart Function Available
- Skip Frequency - Selectable
- Spinning Start Function – Selectable
- 3 Programmable Digital Inputs
- 1 Analog Selectable Input (current or speed)
- 1 Programmable Relay
- Control Terminal Inputs Galvanically Isolated
- Control Terminal Outputs Short Circuit Proof
- Automatic Safe Shutdown for comprehensive drive protection
- Parameter Lock
- Protection Features: Phase to Phase or Phase to Ground Shorts, Current trip, Thermal Overload, Over Voltage, Under Voltage, etc.

Mechanical Drawings

Size #1



Size #2



EagleDrive3™ Data

Size		1	1	1	1	1	2	2
EagleDrive3 Model Reference	ED-xxxx-US	12005	12007	12010	12015	12020	22020	22030
Input Voltage	+/- 10%	200-240	200-240	200-240	200-240	200-240	200-240	200-240
Phases		1 or 3	1 or 3	1 or 3	1 or 3	1 or 3	1 or 3	1 or 3
Motor Output Rating	HP	0.5	0.75	1.0	1.5	2.0	2.0	3.0
	kW	0.37	0.55	0.75	1.1	1.5	1.5	2.2
Output Current	Amps	2.3	3.1	4.3	5.8	7.0	7.0	10.5
Fuse or MCB rating 3-phase	A	5	5	5	10	10	10	10
Fuse or MCB rating 1-phase	A	10	10	10	20	20	20	30
Max. Amb. Temp. °C for switching frequency >8kHz	@16kHz	50°	50°	40°	40°	40°	50°	40°
	@32kHz	50°	40°	30°	30°	30°	40°	30°
Motor Cable Size	AWG	16	16	16	14	14	14	14
Max. Motor Cable Length	Feet	164	164	164	328	328	328	328
Weight	lbs.	2.2	2.2	2.2	2.2	2.2	5.5	5.5
Min. Braking Resistor	Ω	N/A	N/A	N/A	N/A	N/A	33	22

For assistance call 888-456-3398

E-mail: info@anaconsystems.com Web Site: www.anaconsystems.com