



**Input: 380 – 480V  
3ph  
Output: 380 – 480V  
3ph  
1.0HP – 5.0HP**

## Description

EagleDrive3™ consists of a family of Variable Frequency Drives designed to be cost-effective and easy-to-use controls for use with 3-phase induction motors.

Series # 2 covers six (6) ratings in the power range of 1.0HP to 5.0HP, all suitable for 380 - 480V three-phase input, with 380 - 480Volt three-phase output. All EagleDrive products use open loop voltage and frequency control to regulate the speed of the motor. Digital control is combined with the latest IGBT power semiconductor technology to give a compact, robust solution for special or general-purpose drive applications. The product is easy to use and easy to install. Together with simple programming, EagleDrive minimizes the overall applied cost of a drive solution. The full range of EagleDrive product is designed to operate on either 200V – 240V 1 or 3-phase input for 1/2 - 3.0HP, or 380V – 480V 3-phase input for 1.0HP – 120HP.

NOTE: For single-phase induction motor control of PSC (Permanent-Split-Capacitor) or Shaded-Pole motors, see our EagleDrive1™ series.

## Overview

- Three-Phase Input / Three-Phase Output
- Push-button Keypad as Standard
  - 14 Standard Parameters plus Extended Parameter Set
- Designed for Low Technical Support
- Simple to Install – Contactor style power connections, key holes for mounting
- Easy to Use – "On-board" Helpcard & bright LED display
- Easy to Service – Easy access terminals, local or remote control & programming
- Powerful Performance & Features
- Optional Filters – Meets EMC Standards for conducted & radiated emissions
- Other Options:
  - EagleEye3™ (Hand-held wireless control via optical infrared link)
  - Braking Resistors for Size 2 and larger



- EagleVision3™ (Multi-language Windows™-based software manages Parameter sets)
- EagleMouse™ (Optical communication port for RS232)
- PI Controller Module – Supports feedback transducers with either 0-10V (3-wire), or 4-20mA (2-wire) formats
- EagleLink™ – A parts kit to enable a Master / Slave systems using optical communications
- Meets International Standards  
UL, CSA (UL508c), CE (EN60204-1, EN50081)

## Specifications

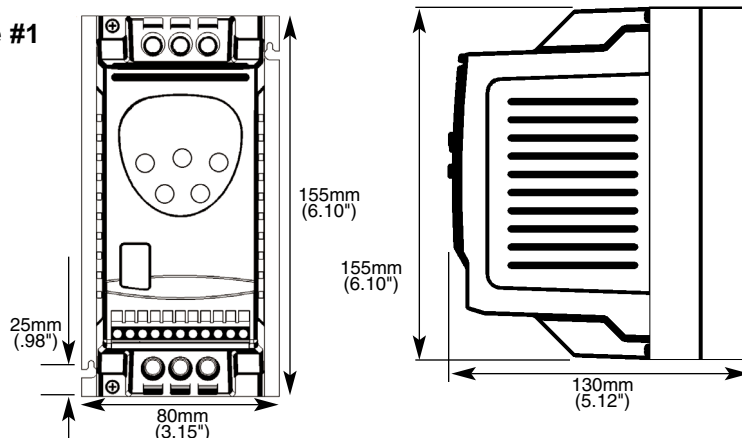
- 380 - 480Volt Input (3ph)
- 380 - 480Volt Output (3ph)
- 2.2 – 9.5Amps Max Output Current
- Max. Ambient Temperature 50° C
- Max. Altitude 6,560 Feet (2,000m)
- Storage temperature range –40° to +60° C
- Enclosure Protection: IP20 / NEMA 1
- Dimensions:
  - Size 1 = 6.10"L x 3.15"W x 5.12"D
  - Size 2 = 10.24"L x 3.98"W x 6.89"D

## Technical Features

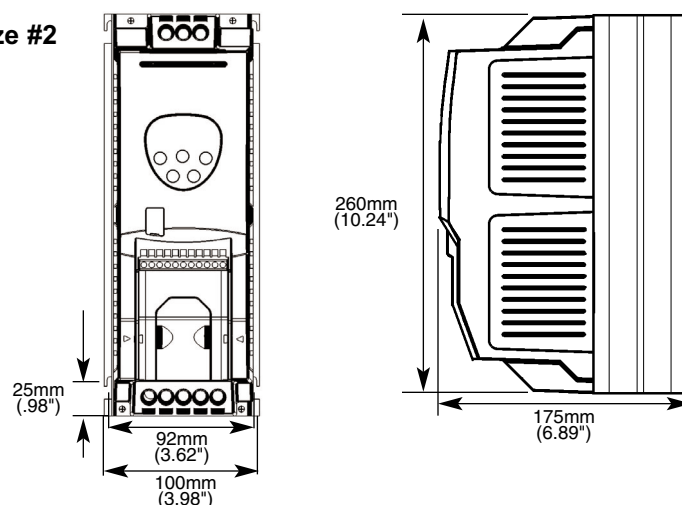
- Power Output: Variable (Fan/Pump) Torque or Constant Torque Selectable
- Drive Efficiency: Typically 95%
- Speed Regulation: 1.0%
- Speed Range: 0 to 30,000 RPM
- Overload Rating: 150% for 60 seconds
- Minimum Full Load Torque: 3Hz
- Selectable 4kHz, 8kHz, 16kHz Inverter Switching Frequency
- Silent Motor Running (32kHz effective switching frequency)
- Power Dip Ride Through
- Auto Restart Function Available
- Skip Frequency - Selectable
- Spinning Start Function – Selectable
- 3 Programmable Digital Inputs
- 1 Analog Selectable Input (current or speed)
- 1 Programmable Relay
- Control Terminal Inputs Galvanically Isolated
- Control Terminal Outputs Short Circuit Proof
- Automatic Safe Shutdown for comprehensive drive protection
- Parameter Lock
- Protection Features: Phase to Phase or Phase to Ground Shorts, Current trip, Thermal Overload, Over Voltage, Under Voltage, etc.

## Mechanical Drawings

Size #1



Size #2



## EagleDrive3™ Data

Size		1	1	2	2	2	2
EagleDrive3 Model Reference	ED-xxxx-US	14010	14020	24010	24020	24030	24050
Input Voltage	+/- 10%	380-480	380-480	380-480	380-480	380-480	380-480
Phases		3	3	3	3	3	3
Motor Output Rating	HP	1.0	2.0	1.0	2.0	3.0	5.0
	kW	0.75	1.5	0.75	1.5	2.2	4.0
Output Current	Amps	2.2	4.1	2.2	4.1	5.8	9.5
Fuse or MCB rating 3-phase	A	5	10	5	10	10	15
Max. Amb. Temp. °C for switching frequency >8kHz	@16kHz	40°	40°	50°	40°	50°	40°
	@32kHz	30°	30°	50°	30°	50°	30°
Motor Cable Size	AWG	16	16	16	16	14	14
Max. Motor Cable Length	Feet	33	33	164	328	328	328
Weight	lbs.	2.2	2.2	5.5	5.5	5.5	5.5
Min. Braking Resistor	Ω	N/A	N/A	47	47	47	33

**For assistance call 888-456-3398**

E-mail: [info@anaconsystems.com](mailto:info@anaconsystems.com)

Web Site: [www.anaconsystems.com](http://www.anaconsystems.com)

**ANACON SYSTEMS**

Design & Application Center: 9433 Bee Cave Road, Bldg. 1, Suite 140, Austin, TX 78733 Tel: (512)263-8668 - Fax (512)263-8060

Corporate Headquarters: 1043 Shoreline Boulevard, Suite 202, Mountain View, CA 94043 USA - Tel: (650)934-3355 - Fax: (650)934-3356

