



EagleDrive I™

Input: 200 - 240V
1ph
Output: 200-240V
1ph
1/4HP - 1.5HP

Description

EagleDrive1™ consists of a family of Variable Frequency Drives designed to be cost-effective and easy-to-use controls for use with PSC (Permanent-Split-Capacitor) or Shaded-Pole Single-Phase induction motors.

Series # 2S covers six(6) ratings in the power range of 1/4HP to 1.5HP, all suitable for 200-240 volts, single-phase input, with 200-240V, single-phase output. All EagleDrive1 products use open loop voltage and frequency control to regulate the speed of the motor. Digital control is combined with the latest IGBT power semiconductor technology to give a compact, robust solution for special purpose drive applications. This product is easy to use and easy to install. Together with simple programming, EagleDrive1 minimizes the overall applied cost of a drive solution. EagleDrive's full product range includes EagleDrive3, designed to operate on 200V – 240V 1-phase input for ½ -30HP, 200-240V 3-phase input for ½ - 60Hz, or 380V – 480V

3-phase input for 1.0HP – 21HP. All are available as either constant torque or variable torque rated.

NOTE: For single-phase induction motor control of 200V-240V PSC (Permanent-Split-Capacitor) of Shaded-Pole motors, see our EagleDrive1, Series # 2S.

Overview

- Single-Phase Input/Single-Phase Output
- Push-button Keypad as standard
 - 14 Standard Parameters Plus Extended Parameter Set
 - Ten (10) V/f curves available – selectable, see Par. -06
 - Torque Boost – Selectable for starting difficult loads
- Designed for Low Technical Support
- Simple to Install – Contactor style power connections, key holes for mounting
- Easy-to-Use: “On-Board” Helpcard & bright LED display
- Easy-to-Service: Easy access terminals, local or remote control & programming
- Powerful Performance & Features
- Optional Filters – Meets EMC Standards for conducted & radiated emissions
- Other Options:
 - EagleEye1™ (Hand-held wireless control via optical infrared link)



- EagleVision1™ (Multi-language Windows™-based software manages Parameter sets)
- EagleMouse™ (Optical communication port for RS232)
- PI Control Module – Supports feedback
- EaglePort™ – Remote Keypad & Digital PI Control
- RS485 Module for Modbus, ProfiBus, DeviceNet
- Modbus Module with PID Control
- 2nd Analog Input
- Dual Relay Output
- Din Rail Mounting Kits
- EagleLink™ – For multi-drive networks to enable a Master/Slave system using optical communications
- Meets International Standards: cULus, CE(EN60204-1, EN61000-2,-3 or -4, EN61800-3)

Specifications

- 200-240 Volts Input, Single-Phase
- 200-240 Volts Output, Single-Phase
- 2.3A – 10.5Amps Max Output Current
- Max. Ambient Temperature 50°C
- Max. Altitude 6,560 Feet (2,000m)
- Storage temperature range -40° to +60° C
- Enclosure Protection: IP20
- Dimensions:
 - Size 1 = 6.10"L x 3.15"W x 5.12"D
 - Size 2 = 10.24"L x 3.98"W x 6.89"D

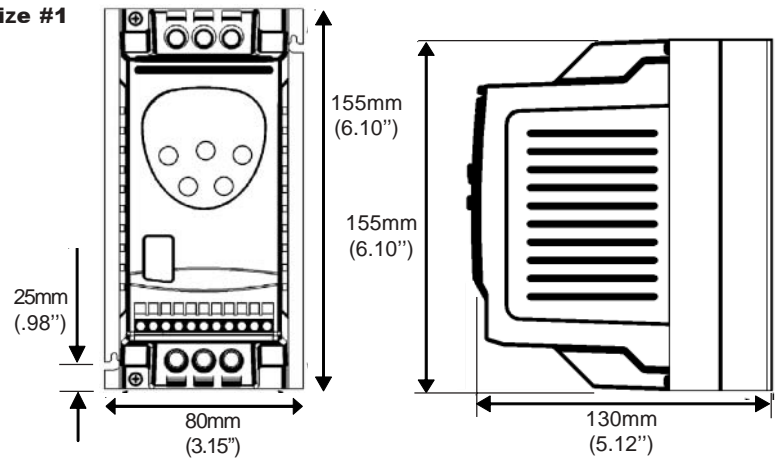
For assistance call 888-456-3398 (Toll-Free)

Technical Features

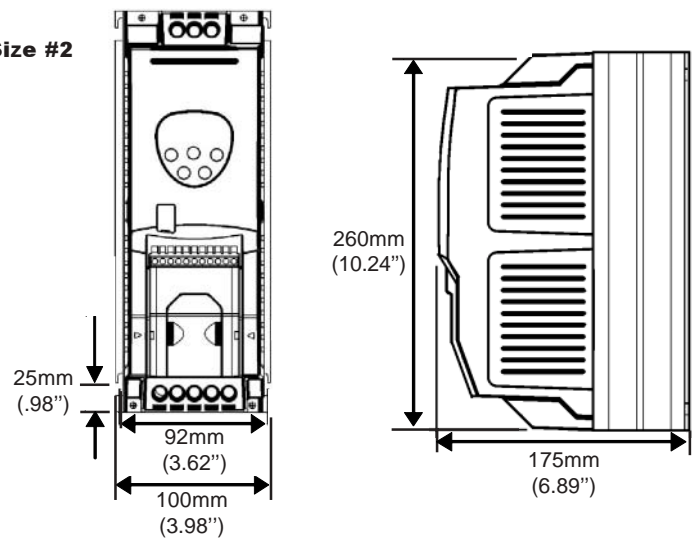
- Power Output: Variable Torque (Fan/Pump)
- Drive Efficiency: Typically 95%
- Speed Range: 0-100Hz
- Overload Rating: 150% for 60 seconds, 175% for 2 seconds
- Selectable 8kHz, 16kHz, 32kHz Inverter Switching Frequency
- Silent Motor Running
- (32 kHz effective switching frequency)
- Power Dip Ride Through
- Auto Restart Function Available
- Skip Frequency – Selectable
- 3 Programmable Digital Inputs
- 1 Analog Selectable Input (current or speed)
- 1 Programmable Relay
- Control Terminal Inputs Galvanically Isolated
- Control Terminal Outputs Short Circuit Proof
- Automatic Safe Shutdown for comprehensive drive protection
- Parameter Lock
- Protection Features: Phase-to-Phase or Phase-to-Ground Shorts, Current Trip, Thermal Overload, Over Voltage, Under Voltage, etc.

Mechanical Drawings

Size #1



Size #2



EagleDrive1™ Data

Size		1	1	1	1	2	2
EagleDrive 1 Model Reference	SE-xxxx-US	12025	12033	12050	12075	22100	22150
Input Voltage	+/- 10%	200-240	200-240	200-240	200-240	200-240	200-240
Phases		1	1	1	1	1	1
Motor Output Rating	HP	1/4	1/3	1/2	3/4	1.0	1.5
	kH	0.19	0.25	0.37	0.56	0.75	1.13
Output Current	Amps	2.3	3.1	4.3	5.8	7.0	10.5
Fuse or Circuit Breaker Rating	A	10	10	10	10	20	20
Max. Amb. Temp. °C for Switching frequency	@8kHz	50°	50°	50°	50°	50°	50°
	@16kHz	50°	50°	40°	40°	50°	40°
	@32kHz	50°	40°	30°	30°	40°	30°
Motor Cable Size	AWG	16	16	16	14	14	14
Max. Motor Cable Length	Feet	164	164	164	328	328	328
Weight	lbs.	2.4	2.4	2.4	2.4	7.7	7.7
Min. Braking Resistor	Ω	N/A	N/A	N/A	N/A	33	22

For assistance call 888-456-3398 (Toll-Free)

E-mail: info@anaconsystems.com Web Site: www.anaconsystems.com