

4

3

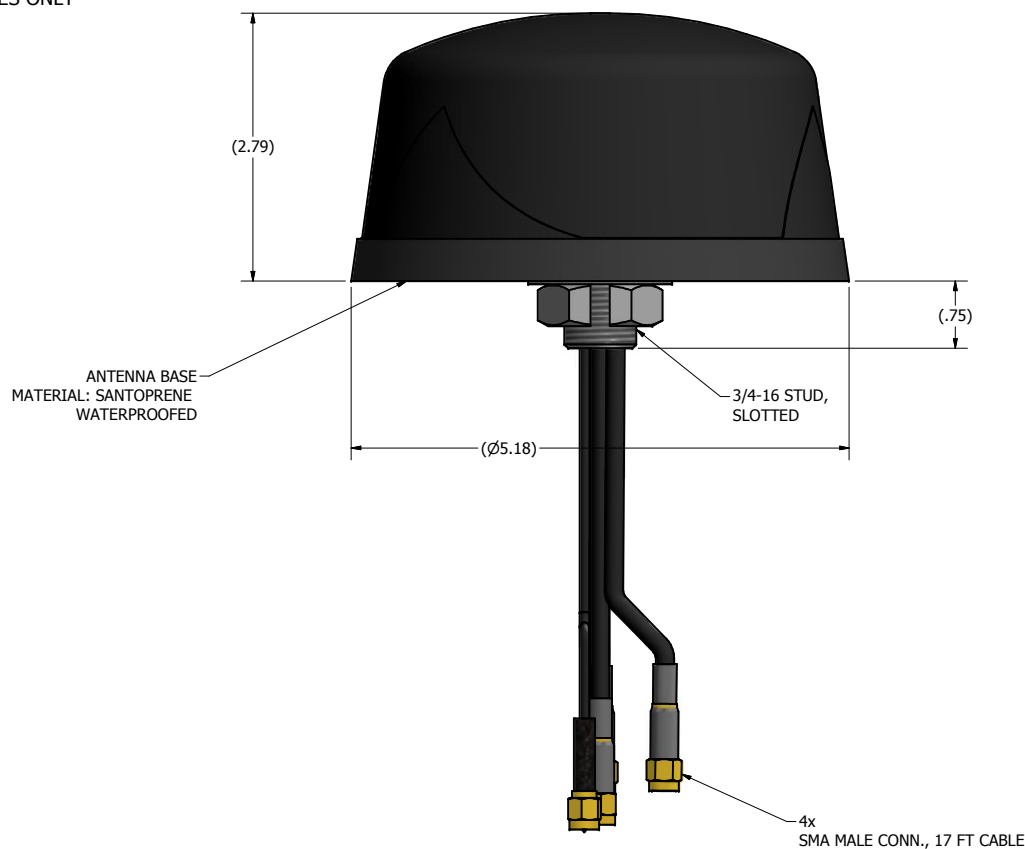
2

1

NOTES: UNLESS OTHERWISE SPECIFIED

- 1. INTERPRET DRAWING PER ANSI/ASME Y14.5
- 2. PARTS SHALL BE PACKAGED TO PREVENT DAMAGE IN SHIPMENT AND HANDLING.
- 3. AN () DIM IDENTIFIES REFERENCE DIMENSION.
- 4. AN [X] DIM IDENTIFIES A KEY CHARACTERISTIC AND MAY REQUIRE Cpk STUDY AS OUTLINED IN PCTEL CQR (COMPONENT QUALIFICATION REQUIREMENTS) RECORD. WHERE NO CQR EXISTS, A COMPLETE 1ST ARTICLE LAYOUT SHALL BE SUBMITTED WITH INITIAL ORDER. A (REF) DIMENSION IS FOR INFORMATION PURPOSES ONLY AND NO TOLERANCE IS IMPLIED.

REVISIONS			
REV	DESCRIPTION	DRAWN/APPROVED/DATE	LOC



INSTALLATION INSTRUCTION

ANTENNA FREQUENCY RANGE:

WiFi1 2.3-2.7 GHz

WiFi2 2.3-2.7 GHz

GSM 806-960 MHz
1850-1990 MHz

GPS 1575.4 MHz

CABLES ARE PROPERLY MARKED WITH FREQUENCY RANGE.
GPSHPMIMO ANTENNA IS INTELLECTUAL PROPERTY OF PCTEL.

UNLESS OTHERWISE SPECIFIED DIMENSIONS ARE IN INCHES (DIMENSIONS ARE IN mm)	DRAWN MP	DATE 4/26/2011
FOR TOLERANCES NOT SPECIFIED USE: XX in ± .1 in, X XX in ± .01 in, XXXX in ± .005 in (X mm ± 3 mm), (X X mm ± .3 mm), (XXXX mm ± .13 mm)	CHECKED	DATE
ANGULARS 2', FRACTIONAL ± 1/64	APPROVED	DATE
THIRD ANGLE PROJECTION	MATERIAL:	
PCTEL CONFIDENTIAL PROPRIETARY. THE INFORMATION CONTAINED IN THIS DOCUMENT IS PCTEL CONFIDENTIAL. IT MAY NOT BE USED OR REPRODUCED WITHOUT THE EXPRESS WRITTEN PERMISSION OF PCTEL, INC.	FINISH:	

DESCRIPTION	GPS MULTI BAND MIMO ANTENNA, OD DWG.
DRAWING NO.	GPSHPMIMO-ODD
SIZE	C
SCALE	FULL
SHEET	1 OF 1

PCTEL
simplifying mobility

PCTEL, INC.
BROADBAND TECHNOLOGY GROUP
ANTENNA PRODUCTS
471 BRIGHTON DRIVE
BLOOMINGDALE, IL 60108
PH. 630-372-8800
FAX. 630-372-8077

4

3

2

1