



Arbon Incorporated
 P.O. Box 56922
 Norridge, Illinois 60706

tel 708.456.7956
 fax 708.583.0137
 email arboninc@aol.com

Engineered Plastic Parts

NOW AVAILABLE – 1 and 2 SECTION LARGE SIZE EI BOBBINS!

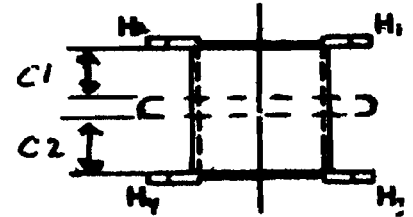
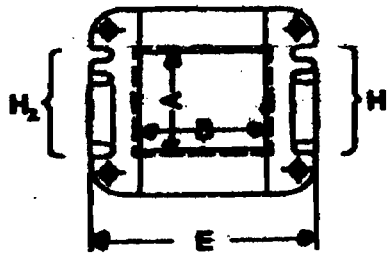
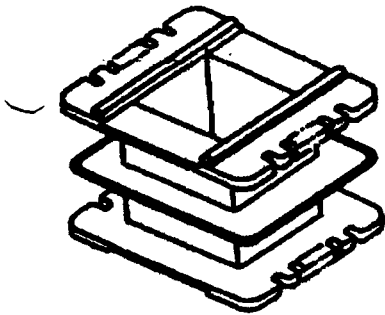
**MOST PARTS AVAILABLE IN EITHER
 GF NYLON OR RYNITE FR-530**

GREAT PRICING - QUICK LEAD TIMES!!

**WE ARE ALSO CAPABLE OF CUSTOM TOOLING YOUR BOBBIN OR ANY OTHER PLASTIC PART
 REQUIREMENTS.**

**OUR MOLDS ARE ALSO DESIGNED TO ACCOMMODATE MOST OTHER BOBBIN MOLDERS TOOLING
 WITH LITTLE, OR IN MOST CASES, NO TOOLING CHARGES TO SWITCH OVER.
 CALL US FOR PRICE QUOTES ON ANY OF YOUR EXISTING PARTS!!**

EI BOBBINS – 2 SECTION



PART #	millimeters				inches				# of notches			
	A	B	C _{1 or 2}	E	A	B	C _{1 or 2}	E	H1	H2	H3	H4
EI-41x14	13.5	14.5	8.7	29.0	0.531	0.571	0.343	1.142	3	3	5	7
EI-48x18.5	16.8	18.5	10.3	36.0	0.661	0.728	0.406	1.417	5	5	5	5
EI-48x25	16.8	25.4	10.3	43.0	0.661	1.000	0.406	1.693	5	5	6	6
EI-57x25	20.0	25.3	12.2	44.0	0.787	0.996	0.480	1.732	5	5	5	5
EI-66x25	23.0	25.4	14.3	51.0	0.906	1.000	0.563	2.008	5	5	5	5
EI-66x30	23.0	30.4	14.1	57.0	0.906	1.197	0.555	2.244	4	4	4	4
EI-66x35	23.0	35.4	14.3	61.0	0.906	1.394	0.563	2.402	5	4	5	4
EI-76x35	26.0	35.4	16.9	63.0	1.024	1.394	0.665	2.480	5	5	8	8
EI-96x45	32.5	45.0	21.7	76.0	1.280	1.772	0.854	2.992	6	6	6	6
EI-105x17	36.0	17.0	22.8	48.0	1.417	0.669	0.898	1.890	5	5	5	5
EI-105x20	36.0	21.0	22.8	51.0	1.417	0.827	0.898	2.008	5	8	5	8
EI-105x25	36.0	25.5	22.9	54.5	1.417	1.004	0.902	2.146	5	5	5	5
EI-133x60	46.3	61.0	37/22.8	104.5	1.823	2.402	1.45/ .90	4.114	7	7	7	7
EI-162x75	56.0	76.0	40.5/33	127.0	2.205	2.992	1.6/1.3	5.000	9	9	6	6

EI BOBBINS 1 SECTION

PART #	millimeters				inches				# of notches			
	A	B	C	E	A	B	C	E	H1	H2	H3	H4
EI-35x10.5	10.4	10.5	17.6	26.5	0.409	0.413	0.693	1.043	3	3	3	4
EI-35x13.5	10.4	13.5	17.6	28.0	0.409	0.531	0.693	1.102	3	3	4	7
EI-41x12	13.8	12.5	18.7	28.0	0.543	0.492	0.736	1.102	3	3	4	7
EI-41x13	13.8	13.5	18.7	30.0	0.543	0.531	0.736	1.181	3	3	4	7
EI-41x14	13.8	14.4	18.7	30.0	0.543	0.567	0.736	1.181	3	5	3	7
EI-41x26	13.8	26.5	18.7	42.0	0.543	1.043	0.736	1.654	1	1	5	5
EI-41x30	13.8	30.0	18.0	47.0	0.543	1.181	0.709	1.850	0	2	0	2
EI-48x16	17.0	16.5	21.5	33.0	0.669	0.650	0.846	1.299	5	5	4	7
EI-57x19	19.8	19.3	26.0	37.0	0.780	0.760	1.024	1.457	4	5	6	6
EI-57x30	20.0	30.5	26.0	51.0	0.787	1.201	1.024	2.006	1	1	5	5
EI-76x26	26.4	28.0	35.0	54.0	1.039	1.102	1.378	2.126	5	5	9	9
EI-76x35	26.4	35.5	35.0	61.0	1.039	1.398	1.378	2.402	5	5	9	9
EI-76x40	26.4	40.5	35.5	67.0	1.039	1.594	1.398	2.638	5	5	9	9
EI-76x45	26.4	45.5	34.7	74.0	1.039	1.791	1.366	2.913	1	5	8	8
EI-86x26	30.0	26.0	39.5	53.0	1.181	1.024	1.555	2.087	1	1	8	8
EI-86x28	30.0	28.0	39.5	55.0	1.181	1.102	1.555	2.165	1	1	8	8
EI-86x35	30.0	35.5	39.5	64.0	1.181	1.398	1.555	2.520	1	1	8	8
EI-86x40	30.0	40.5	39.5	69.0	1.181	1.594	1.555	2.717	1	1	8	8
EI-86x50	30.0	50.5	39.5	80.0	1.181	1.988	1.555	3.150	1	1	6	6
EI-96x25	33.5	26.5	44.0	58.0	1.319	1.043	1.732	2.283	6	6	6	6
EI-96x32	33.5	32.5	44.0	61.0	1.319	1.280	1.732	2.402	2	4	9	4
EI-96x35	33.2	35.0	43.7	64.0	1.307	1.378	1.720	2.520	5	5	8	8
EI-96x40	33.2	40.2	43.7	69.0	1.307	1.583	1.720	2.717	5	5	8	8
EI-96x45	33.2	45.0	43.7	72.0	1.307	1.772	1.720	2.835	5	5	8	8
EI-96x50	33.2	50.5	43.7	82.0	1.307	1.988	1.720	3.228	5	5	8	8
EI-96x55	33.2	55.5	43.7	85.0	1.307	2.185	1.720	3.346	5	5	8	8
EI-96x60	33.2	61.0	43.7	91.0	1.307	2.402	1.720	3.583	5	5	8	8
EI-105x35	36.5	35.4	48.3	70.0	1.437	1.394	1.902	2.756	6	6	9	9
EI-105x40	36.5	40.5	48.3	75.0	1.437	1.594	1.902	2.953	6	6	9	9
EI-105x45	36.5	46.0	48.3	83.0	1.437	1.811	1.902	3.268	6	6	9	9
EI-105x50	36.5	50.5	48.3	88.0	1.437	1.988	1.902	3.485	6	6	9	9
EI-105x56	36.5	56.0	48.3	93.0	1.437	2.205	1.902	3.661	4	4	0	8
EI-114x25	39.2	26.0	54.0	48.0	1.543	1.024	2.126	1.890	5	5	5	5
EI-114x30	39.5	30.5	53.4	70.0	1.555	1.201	2.102	2.756	5	5	8	8
EI-114x40	39.5	41.0	53.0	79.0	1.555	1.614	2.087	3.110	5	5	10	10
EI-114x45	39.5	46.0	53.0	84.0	1.555	1.811	2.087	3.307	5	5	10	10
EI-114x50	39.5	51.0	53.0	90.0	1.555	2.008	2.087	3.543	5	5	10	10
EI-114x55	39.5	55.5	53.0	95.0	1.555	2.185	2.087	3.740	5	5	8	8
EI-114x60	39.5	60.5	53.0	100.0	1.555	2.382	2.087	3.937	5	5	10	10
EI-114x70	39.5	70.5	53.0	110.0	1.555	2.776	2.087	4.331	5	5	8	8
EI-114x80	39.5	80.0	53.1	119.0	1.555	3.150	2.091	4.685	5	5	8	8
EI-133x30	45.5	30.5	62.5	65.0	1.791	1.201	2.461	2.559	6	6	9	9
EI-133x34	46.5	34.2	62.5	78.5	1.831	1.346	2.461	3.091	1	1	9	9
EI-133x45	46.5	45.5	62.5	90.0	1.831	1.791	2.461	3.543	1	1	9	9
EI-133x60	46.5	61.5	62.0	106.0	1.831	2.421	2.441	4.173	5	5	8	8
EI-133x70	46.5	72.0	62.0	117.0	1.831	2.835	2.441	4.606	1	1	10	10
EI-133x75	46.8	77.5	62.0	123.0	1.843	3.051	2.441	4.843	1	1	10	10
EI-133x80	46.8	82.0	62.0	127.0	1.843	3.228	2.441	5.000	5	5	8	8
EI-133x100	45.8	101.7	61.2	148.0	1.803	4.004	2.409	5.827	1	1	8	8
EI-153x65	52.8	65.5	71.0	123.0	2.079	2.579	2.795	4.843	1	1	7	7
EI-162x34	56.5	35.0	75.5	98.0	2.224	1.378	2.972	3.858	3	5	9	9
EI-162x56	56.5	56.5	75.5	108.0	2.224	2.224	2.972	4.252	1	1	9	9
EI-162x65	57.0	66.0	75.0	120.0	2.244	2.596	2.953	4.724	6	6	9	9
EI-162x75	56.8	75.5	75.0	128.0	2.236	2.972	2.953	5.039	6	6	9	9
EI-162x85	57.0	86.5	75.0	140.0	2.244	3.406	2.953	5.512	6	6	9	9
EI-162x90	57.0	91.5	75.0	146.0	2.244	3.602	2.953	5.748	6	6	9	9
EI-171x110	59.0	110.5	79.4	180.0	2.323	4.350	3.126	7.067	5	5	5	5
EI-171x120	59.0	121.5	79.4	190.0	2.323	4.763	3.126	7.480	5	5	5	5
EI-190x70	67.0	70.0	87.4	153.0	2.638	2.756	3.441	6.024	5	5	5	5
EI-190x80	67.0	80.0	87.4	163.0	2.638	3.150	3.441	6.417	5	5	5	5
EI-190x90	67.0	90.0	87.4	173.0	2.638	3.543	3.441	6.811	5	5	5	5
EI-190x100	67.0	100.0	87.4	183.0	2.638	3.937	3.441	7.205	5	5	5	5
EI-190x120	67.0	121.0	87.4	203.0	2.638	4.764	3.441	7.992	5	5	5	5

Arbon Inc.

Large Bobbin Conversion Chart

2/24/2005

1.750 Bobbin		Metric		Lam.	Stack	Center Leg
EI-175 x	1.125	EI-133 x	30	1.791	1.201	2.461
EI-175 x	1.250	EI-133 x	34	1.831	1.346	2.461
EI-175 x	1.750	EI-133 x	45	1.831	1.791	2.461
EI-175 x	2.375	EI-133 x	60	1.831	2.421	2.441
EI-175 x	2.750	EI-133 x	70	1.831	2.835	2.441
EI-175 x	3.000	EI-133 x	75	1.843	3.051	2.441
EI-175 x	3.125	EI-133 x	80	1.843	3.228	2.441
EI-175 x	4.000	EI-133 x	100	1.803	4.004	2.409

2.000 Bobbin		Metric		Lam.	Stack	Center Leg
EI-200 x	2.500	EI-153 x	65	2.079	2.579	2.795

2.125 Bobbin		Metric		Lam.	Stack	Center Leg
EI-212 x	1.375	EI-162 x	34	2.224	1.378	2.972
EI-212 x	2.225	EI-162 x	56	2.224	2.224	2.972
EI-212 x	2.500	EI-162 x	65	2.244	2.598	2.953
EI-212 x	2.875	EI-162 x	75	2.236	2.972	2.953
EI-212 x	3.375	EI-162 x	85	2.244	2.406	2.953
EI-212 x	3.500	EI-162 x	90	2.244	3.602	2.953

2.225 Bobbin		Metric		Lam.	Stack	Center Leg
EI-225 x	4.250	EI-171 x	110	2.323	4.35	3.126
EI-225 x	4.750	EI-171 x	120	2.323	4.783	3.126

2.250 Bobbin		Metric		Lam.	Stack	Center Leg
EI-250 x	2.750	EI-190 x	70	2.638	2.756	3.441
EI-250 x	3.125	EI-190 x	80	2.638	3.150	3.441
EI-250 x	3.500	EI-190 x	90	2.638	3.543	3.441
EI-250 x	3.875	EI-190 x	100	2.638	3.937	3.441
EI-250 x	4.750	EI-190 x	120	2.638	4.764	3.441



Arbon Incorporated
P.O. Box 56922
Norridge, Illinois 60706

tel 708.456.7956
fax 708.583.0137
email arboninc@aol.com

Engineered Plastic Parts

ARBON STANDARD BOBBINS

NORMALLY AVAILABLE FROM STOCK

El	flanges	slots	Arbon p/n	
21 x .625	3	12	133-1-	
75 x 1.0	3	8	195-0-	*
75 x 1.0	cover		196-0-	*
100 x .500	2	8	101-1-	
100 sq.	2	8	102-1-	
100 sq.	3	16	134-1-	
100 sq.	2		164-0-	
100 x 1.25	2	8	103-1-	
100 x 1.25	3	16	135-1-	
100 x 1.50	2	8	104-1-	
112 x 1.375	2	8	105-1-	
125 sq.	2	8	190-0-	*
125 x 1.50	2	8	106-1-	
125 x 1.50	2	16	157-0-	
125 x 1.75	2	8	191-0-	*
125 x 1.875	2	8	107-1-	
137 sq.	2	16	163-0-	
137 X 1.75	2	16	162-0-	
150 sq.	2	8	108-1-	
150 sq.	2	8	161-0-	
150 x 1.875	2	8	109-1-	
150 x 1.75	2	8	158-0-	
150 x 2.00	2	8	160-0-	
150 x 2.75	2	8	110-1-	
175 sq.	2	8	193-0-	*
175 x 1.625	2	8	192-0-	*
175 X 2.00	2	8	194-0-	*

* Call for further information.



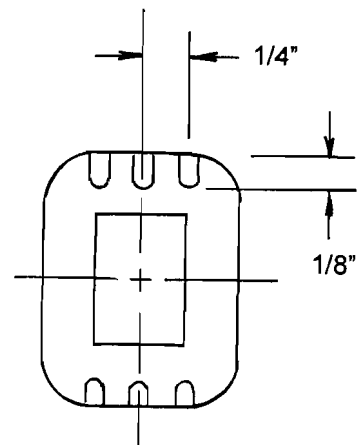
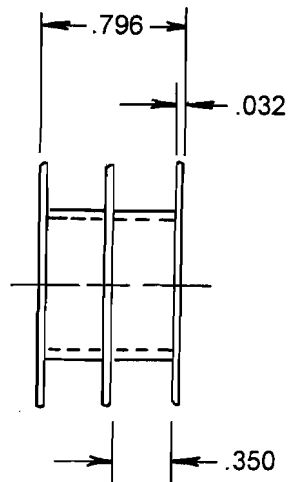
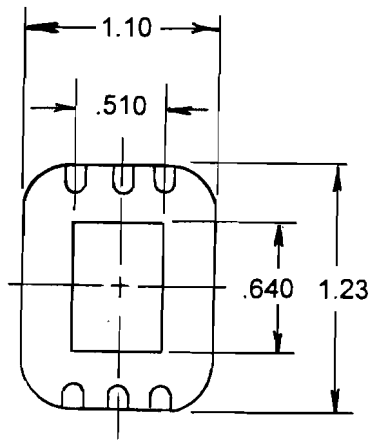
Arbon Incorporated
P.O. Box 56922
Norridge, Illinois 60706

tel 708.456.7956
fax 708.583.0137
email arboninc@aol.com

Engineered Plastic Parts

ARBON Part # 133-1-G

EI-21 x .625





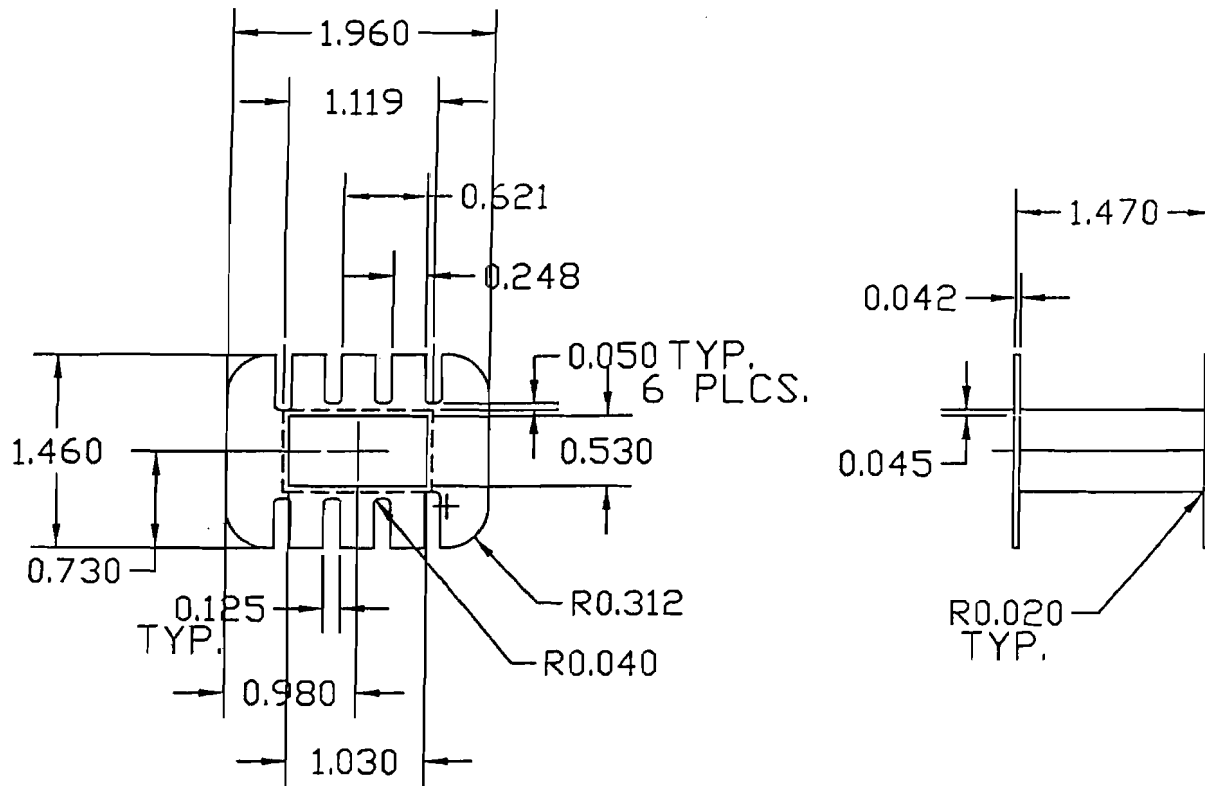
Arbon Incorporated
P.O. Box 56922
Norridge, Illinois 60706

tel 708.456.7956
fax 708.583.0137
email arboninc@aol.com

Engineered Plastic Parts

ARBON Part # 101-1-G

EI-100 x .500





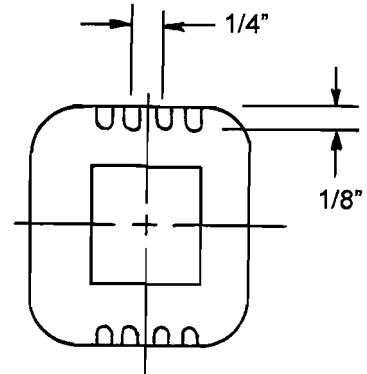
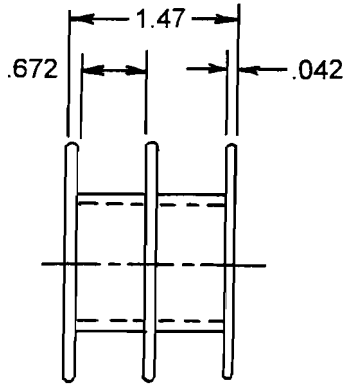
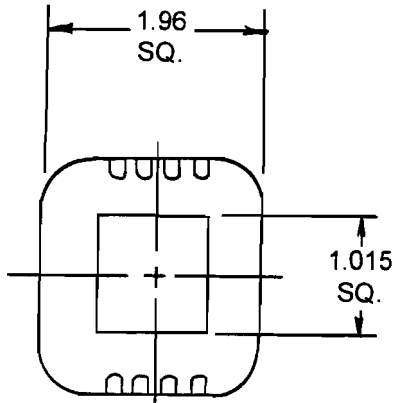
Arbon Incorporated
P.O. Box 56922
Norridge, Illinois 60706

tel 708.456.7956
fax 708.583.0137
email arboninc@aol.com

Engineered Plastic Parts

ARBON Part # 134-1-G

EI-100





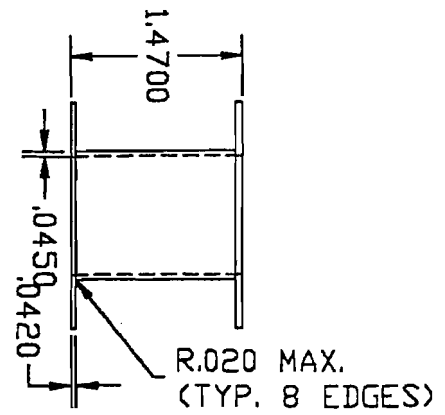
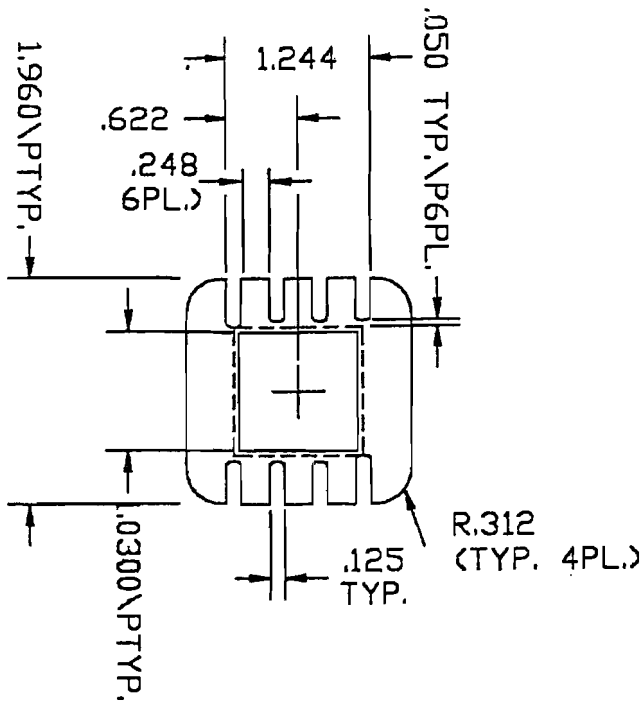
Arbon Incorporated
P.O. Box 56922
Norridge, Illinois 60706

tel 708.456.7956
fax 708.583.0137
email arboninc@aol.com

Engineered Plastic Parts

ARBON Part # 102-1-G

EI-100





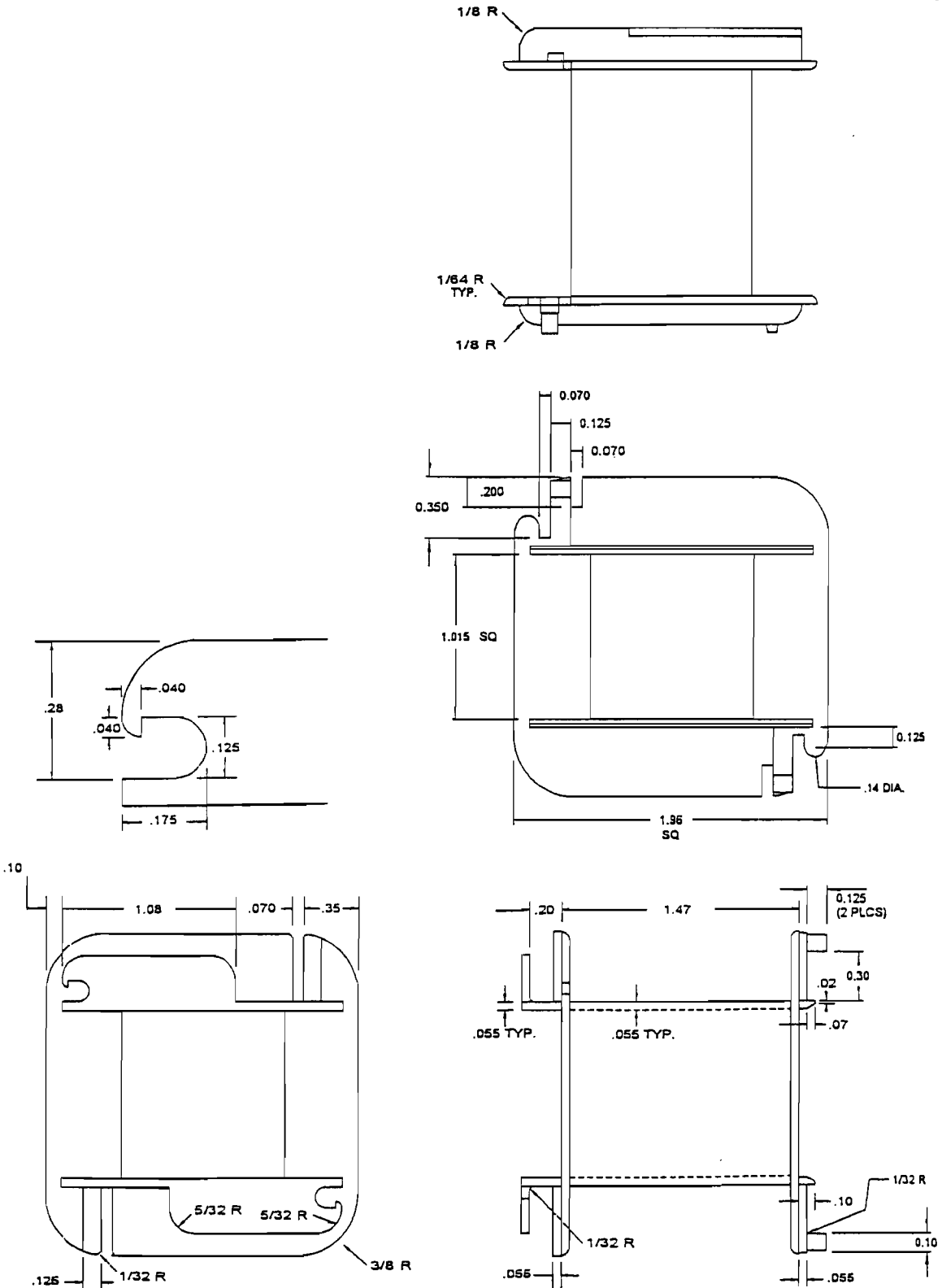
Arbon Incorporated
P.O. Box 56922
Norridge, Illinois 60706

tel 708.456.7956
fax 708.583.0137
email arboninc@aol.com

Engineered Plastic Parts

ARBON Part # 164-0-

EI-100 sq





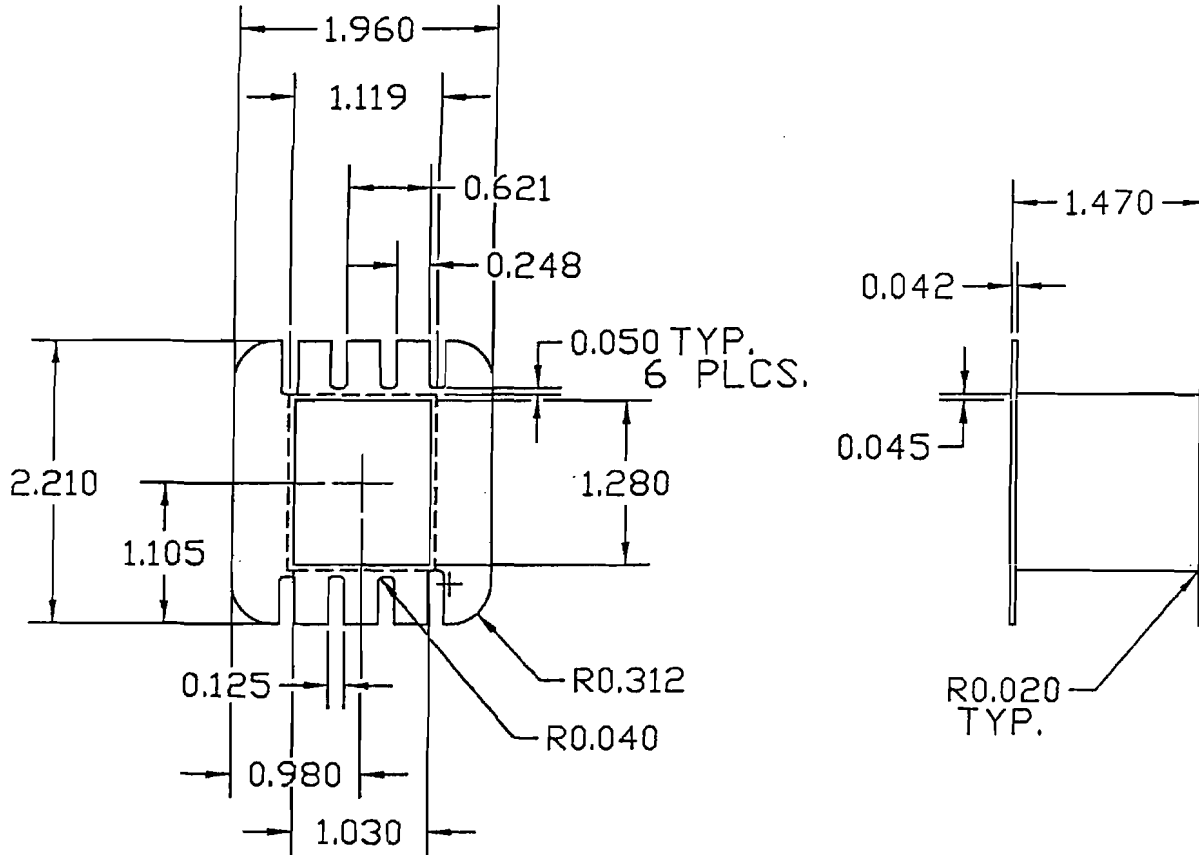
Arbon Incorporated
P.O. Box 56922
Norridge, Illinois 60706

tel 708.456.7956
fax 708.583.0137
email arboninc@aol.com

Engineered Plastic Parts

ARBON Part # 103-1-G

EI-100 x 1.25





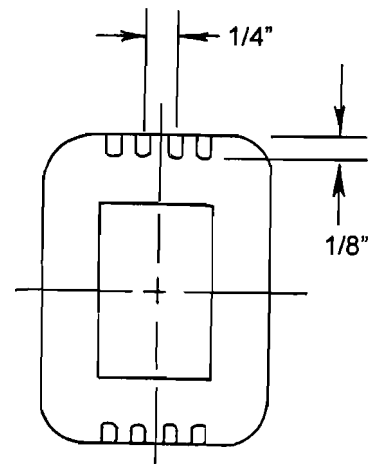
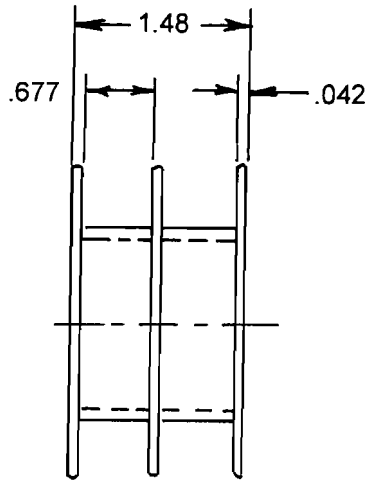
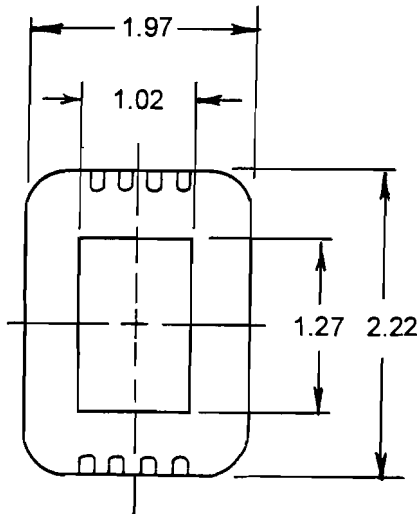
Arbon Incorporated
P.O. Box 56922
Norridge, Illinois 60706

tel 708.456.7956
fax 708.583.0137
email arboninc@aol.com

Engineered Plastic Parts

ARBON Part # 135-1-G

EI-100 x 1.25





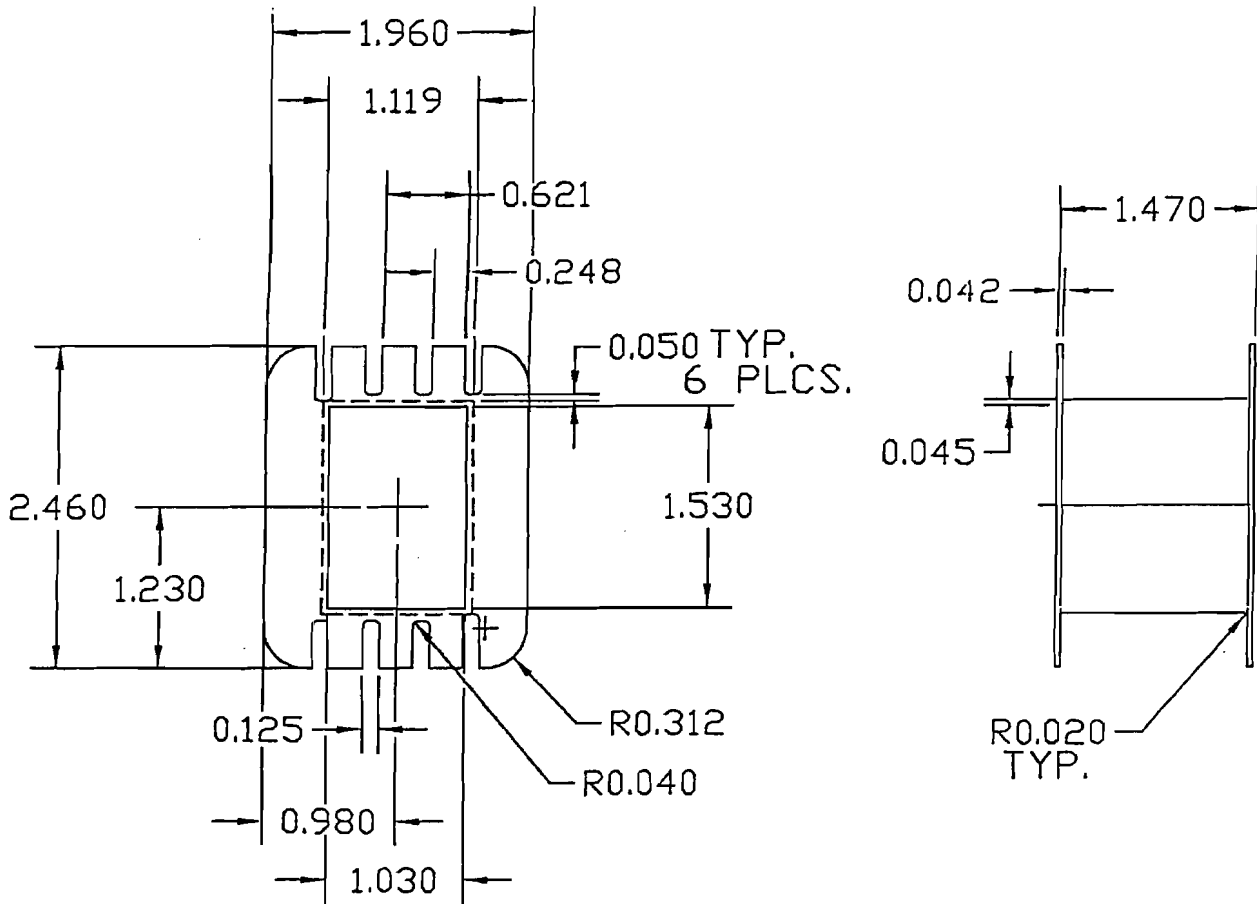
Arbon Incorporated
P.O. Box 56922
Norridge, Illinois 60706

tel 708.456.7956
fax 708.583.0137
email arboninc@aol.com

Engineered Plastic Parts

ARBON Part # 104-1-G

EI-100 x 1.50





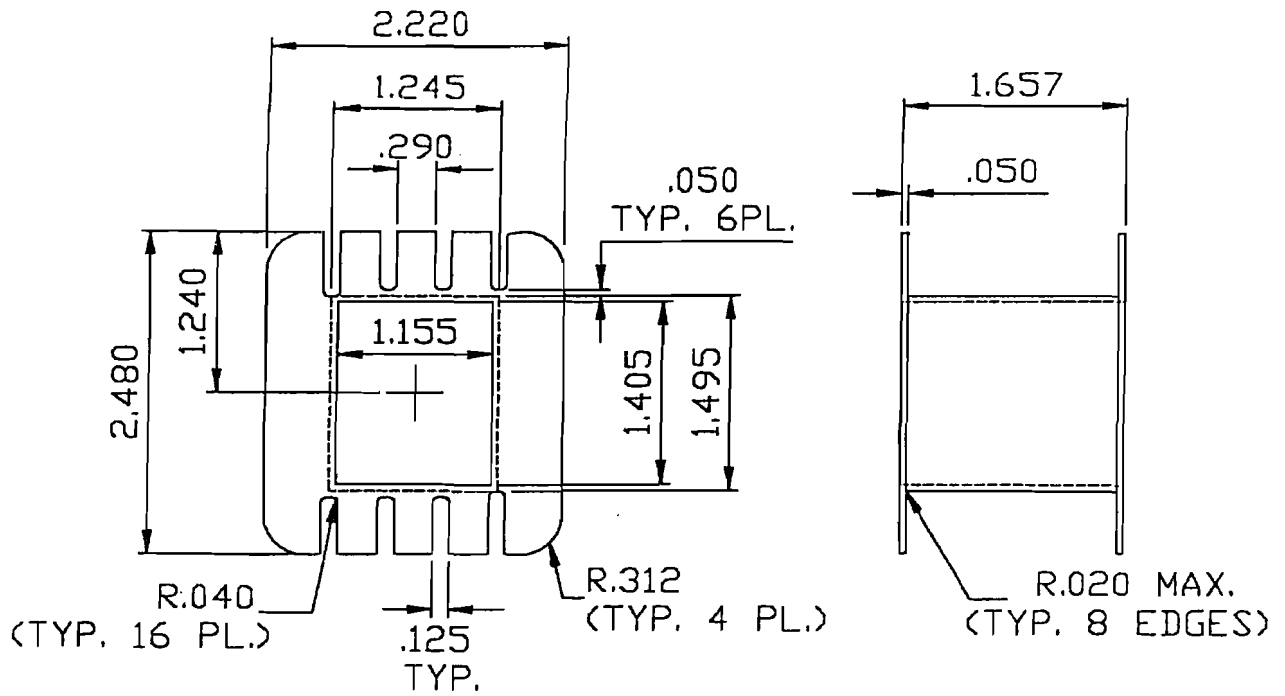
Arbon Incorporated
P.O. Box 56922
Norridge, Illinois 60706

tel 708.456.7956
fax 708.583.0137
email arboninc@aol.com

Engineered Plastic Parts

ARBON Part # 105-1-G

EI-112 x 1.375





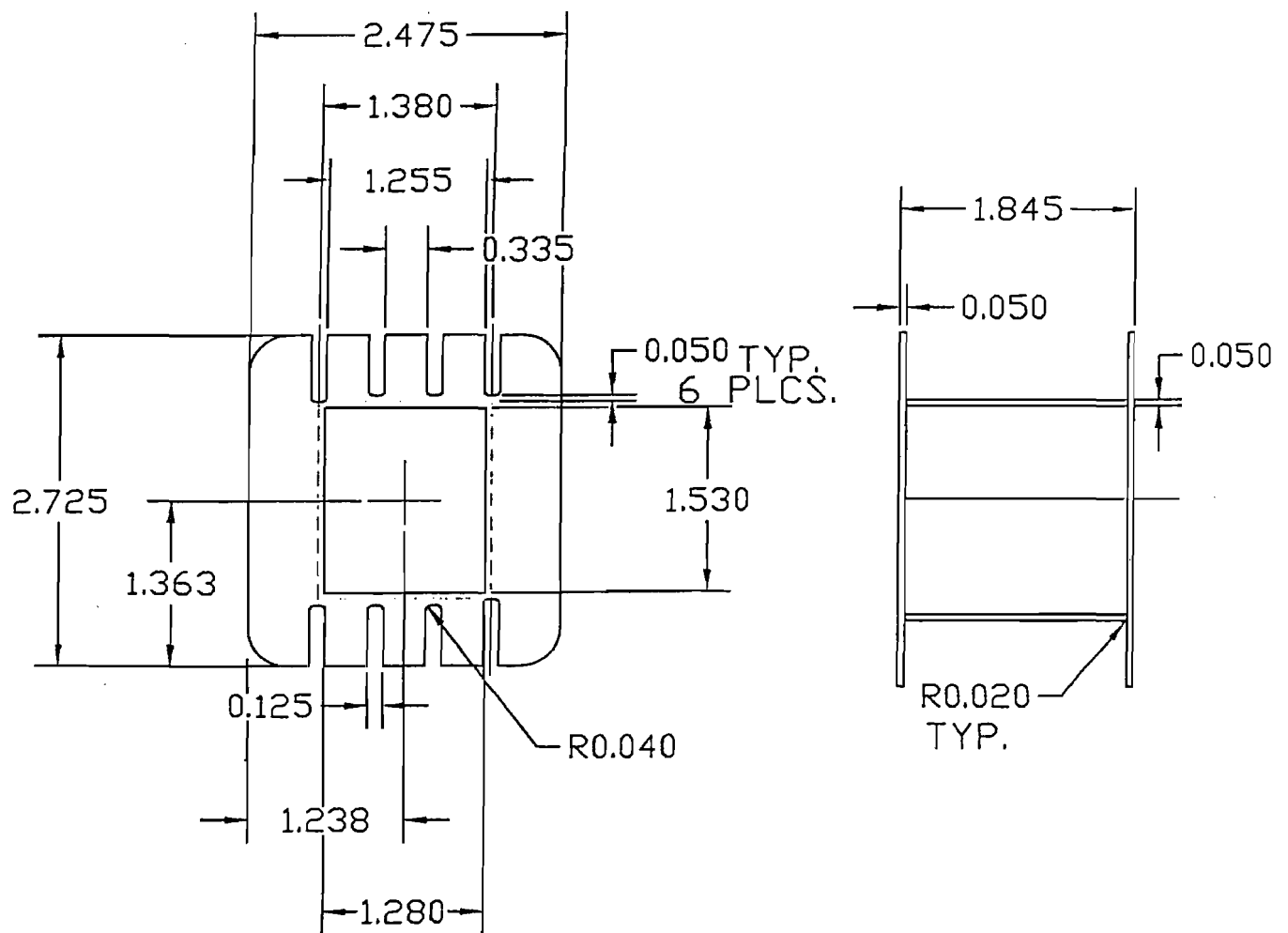
Arbon Incorporated
P.O. Box 56922
Norridge, Illinois 60706

tel 708.456.7956
fax 708.583.0137
email arboninc@aol.com

Engineered Plastic Parts

ARBON Part # 106-1-G

EI-125 x 1.50





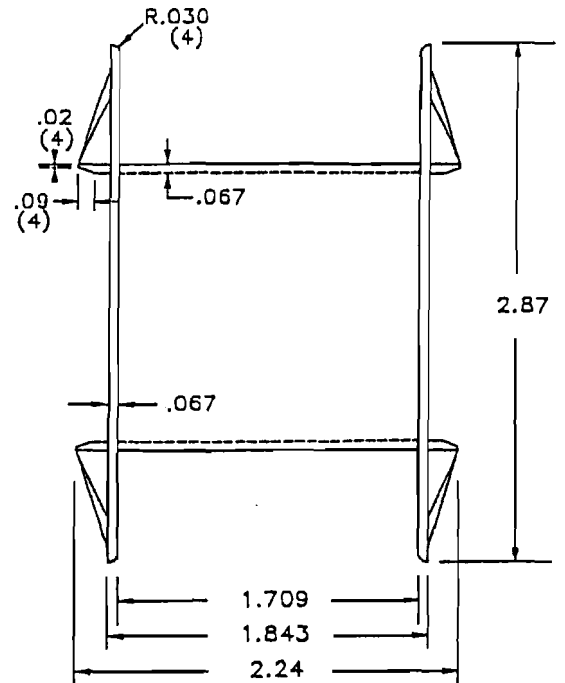
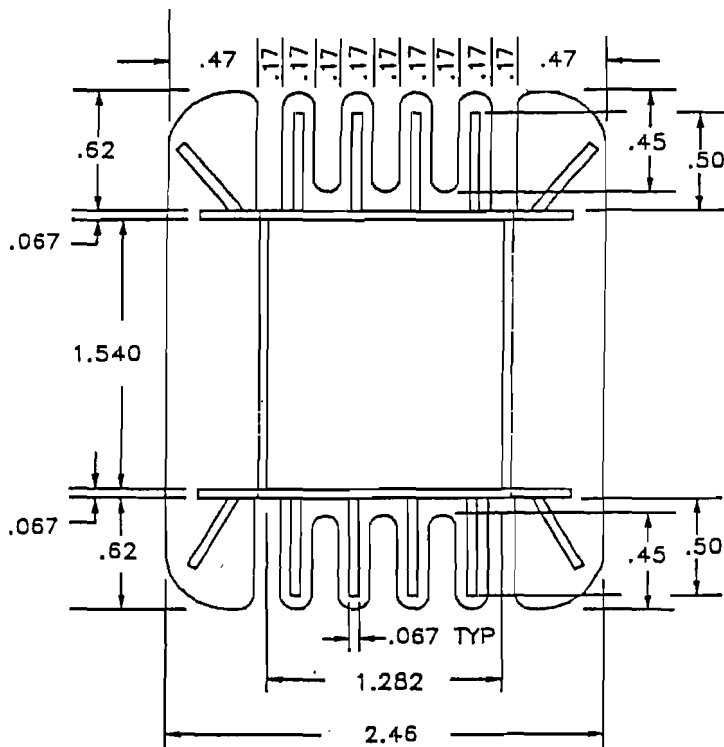
Arbon Incorporated
P.O. Box 56922
Norridge, Illinois 60706

tel 708.456.7956
fax 708.583.0137
email arboninc@aol.com

Engineered Plastic Parts

ARBON Part # 157-0-G

EI-125 x 1.50





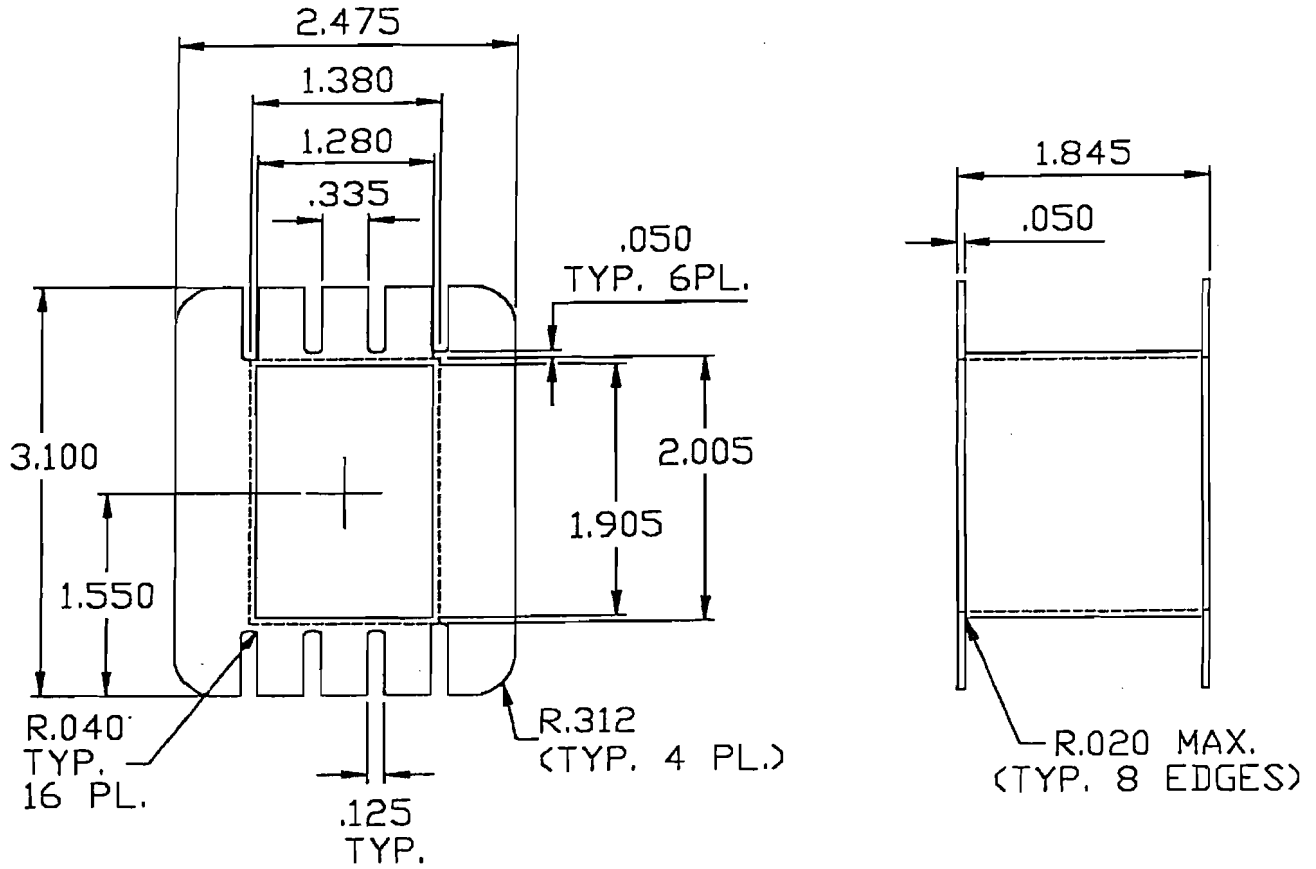
Arbon Incorporated
P.O. Box 56922
Norridge, Illinois 60706

tel 708.456.7956
fax 708.583.0137
email arboninc@aol.com

Engineered Plastic Parts

ARBON Part # 107-1-G

EI-125 x 1.875





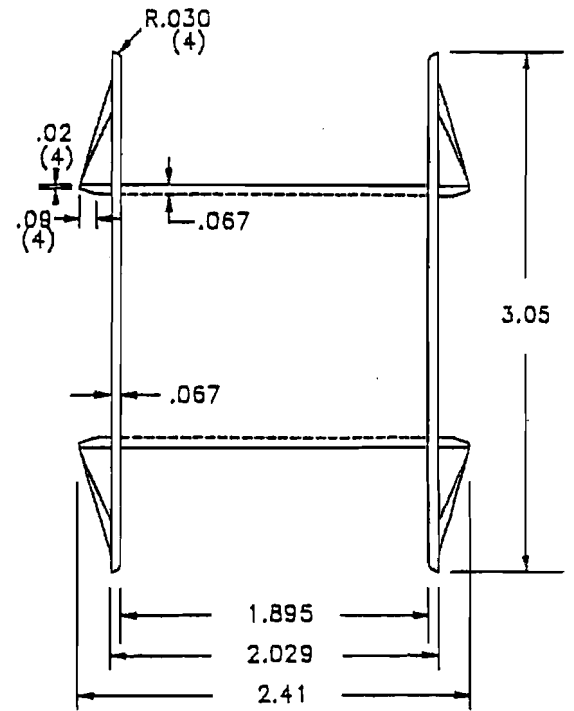
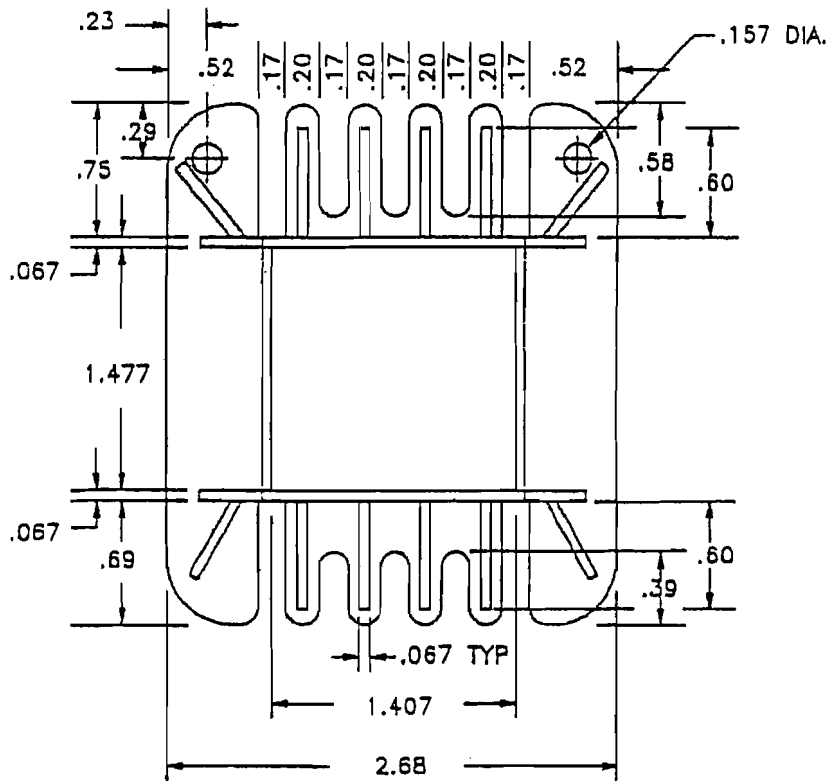
Arbon Incorporated
P.O. Box 56922
Norridge, Illinois 60706

tel 708.456.7956
fax 708.583.0137
email arboninc@aol.com

Engineered Plastic Parts

ARBON Part # 163-0-G

EI-137





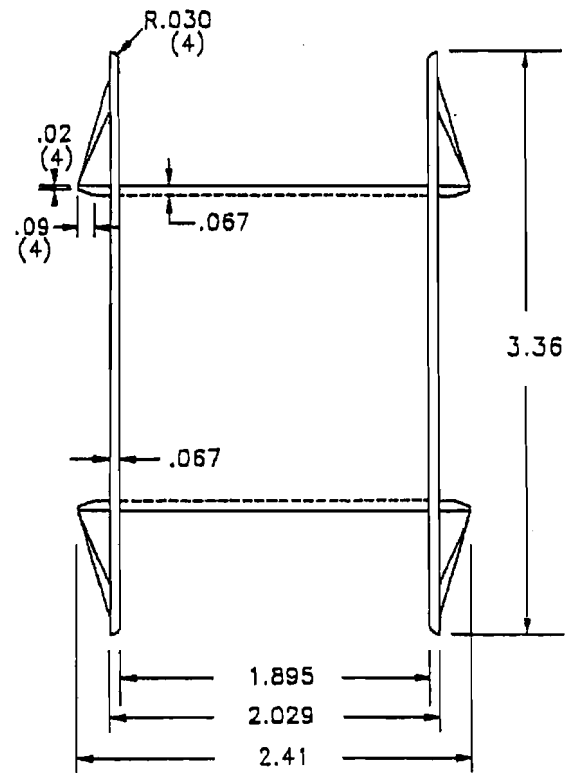
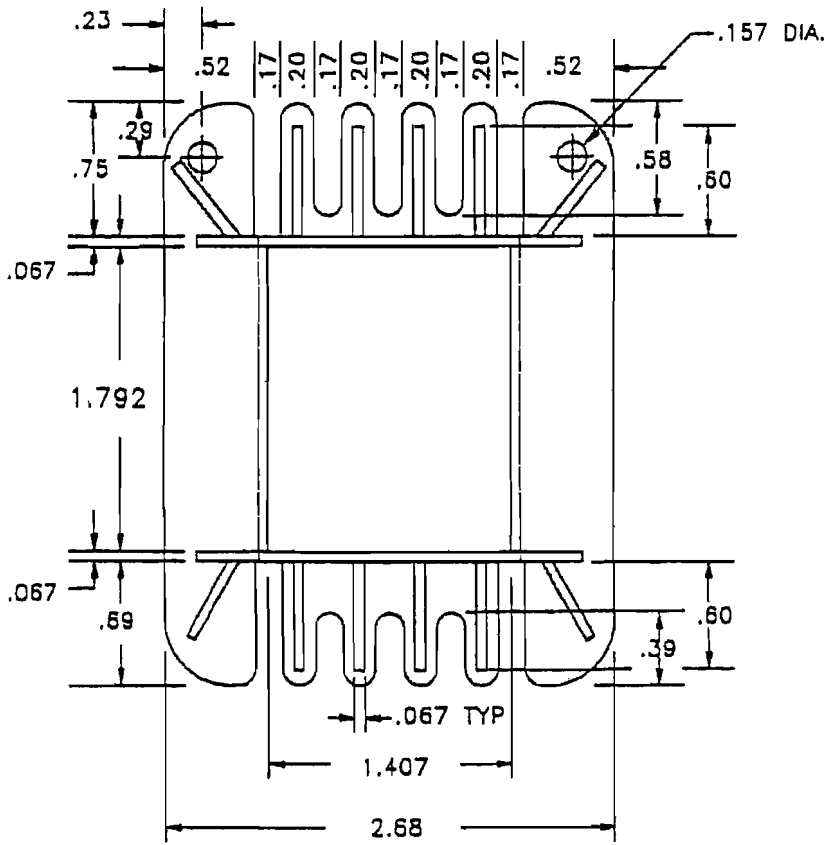
Arbon Incorporated
P.O. Box 56922
Norridge, Illinois 60706

tel 708.456.7956
fax 708.583.0137
email arboninc@aol.com

Engineered Plastic Parts

ARBON Part # 162-0-G

EI-137x1.75





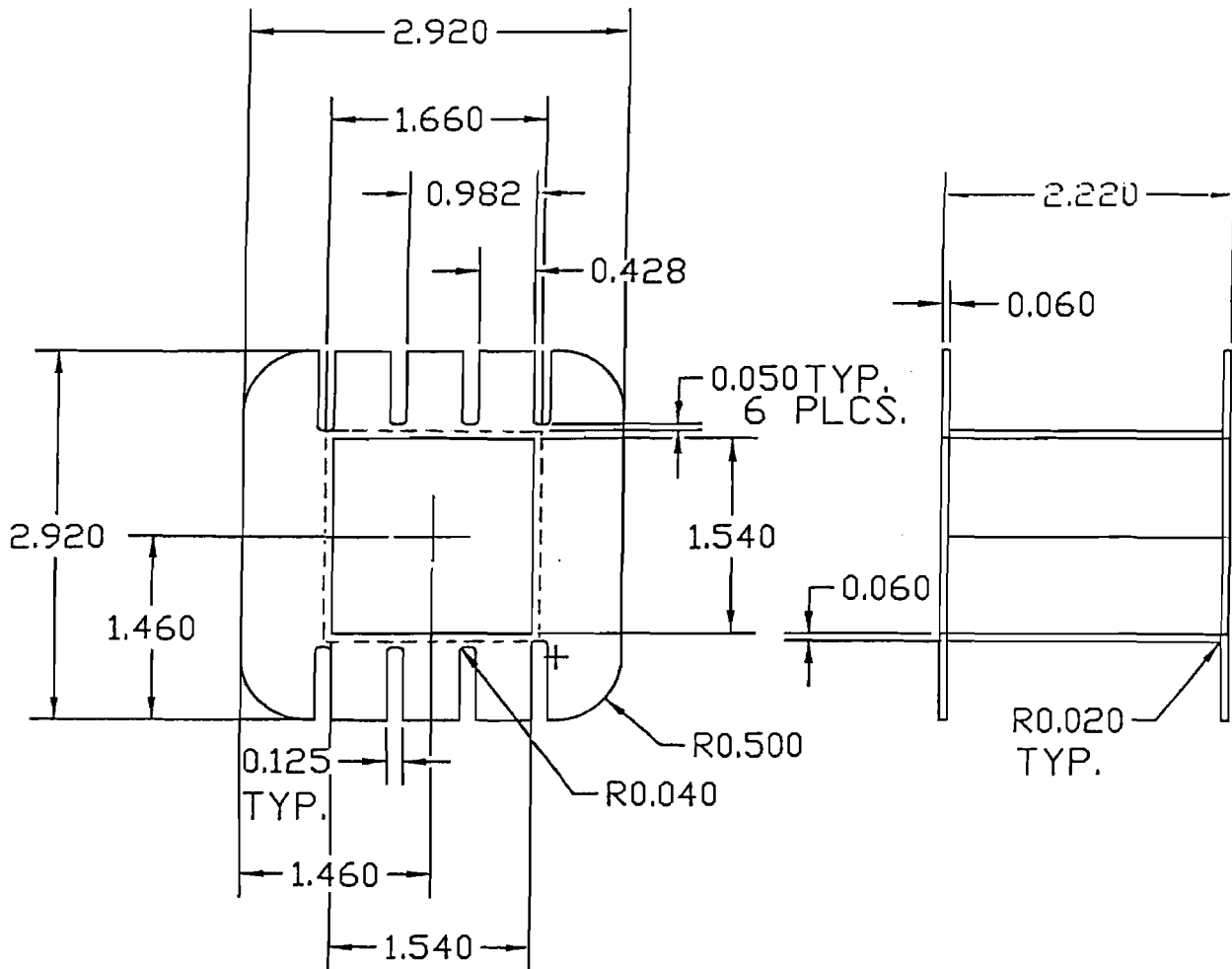
Arbon Incorporated
P.O. Box 56922
Norridge, Illinois 60706

tel 708.456.7956
fax 708.583.0137
email arboninc@aol.com

Engineered Plastic Parts

ARBON Part # 108-1-G

EI-150





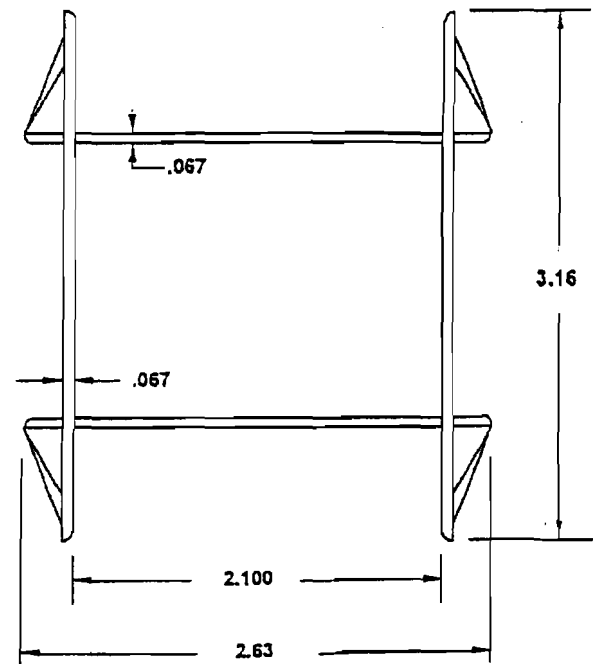
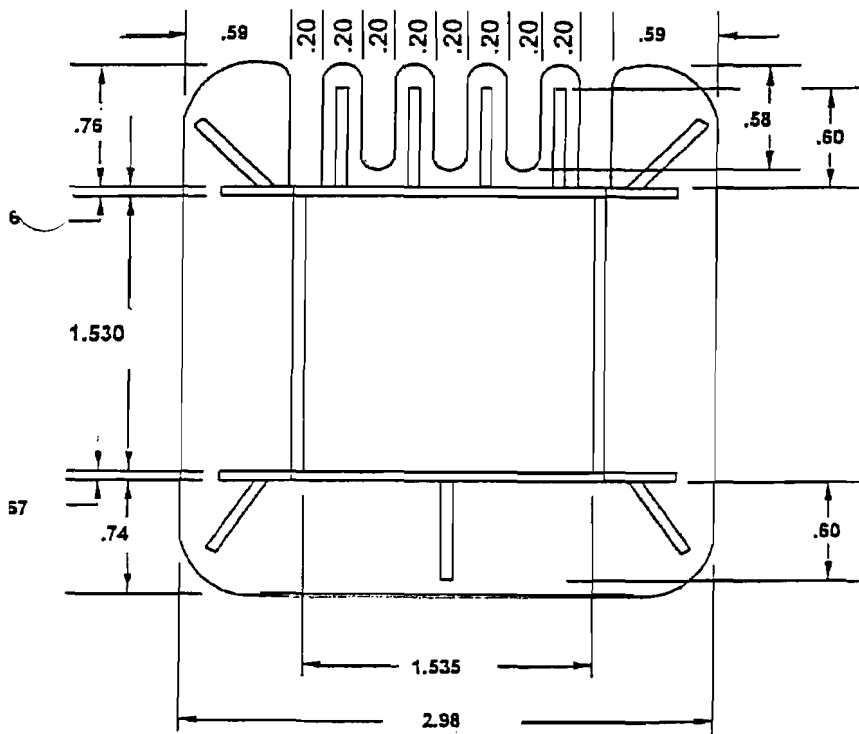
Arbon Incorporated
P.O. Box 56922
Norridge, Illinois 60706

tel 708.456.7956
fax 708.583.0137
email arboninc@aol.com

Engineered Plastic Parts

ARBON Part # 161-0-G

EI-150





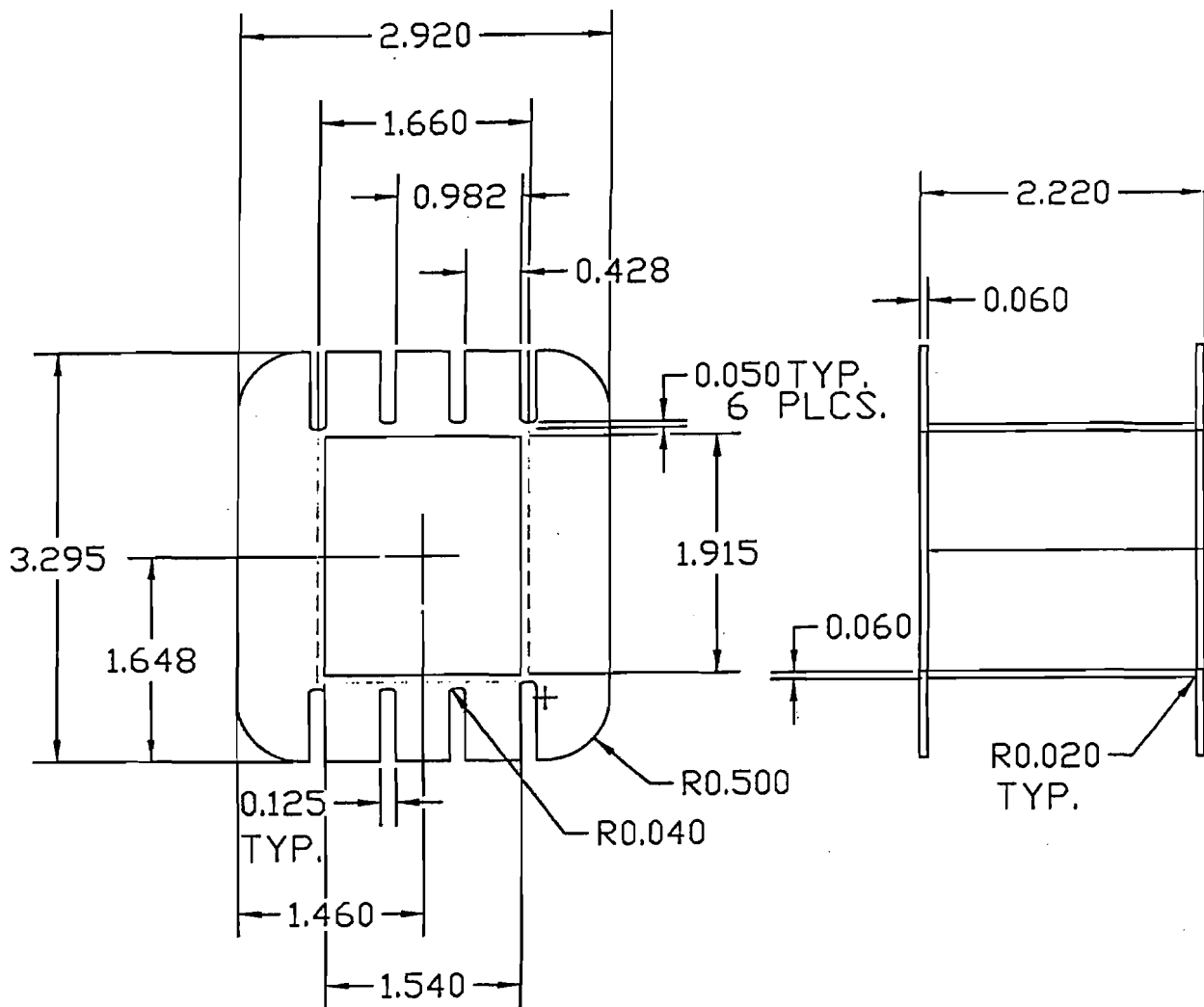
Arbon Incorporated
P.O. Box 56922
Norridge, Illinois 60706

tel 708.456.7956
fax 708.583.0137
email arboninc@aol.com

Engineered Plastic Parts

ARBON Part # 0109-1-G

EI-150 x 1.875





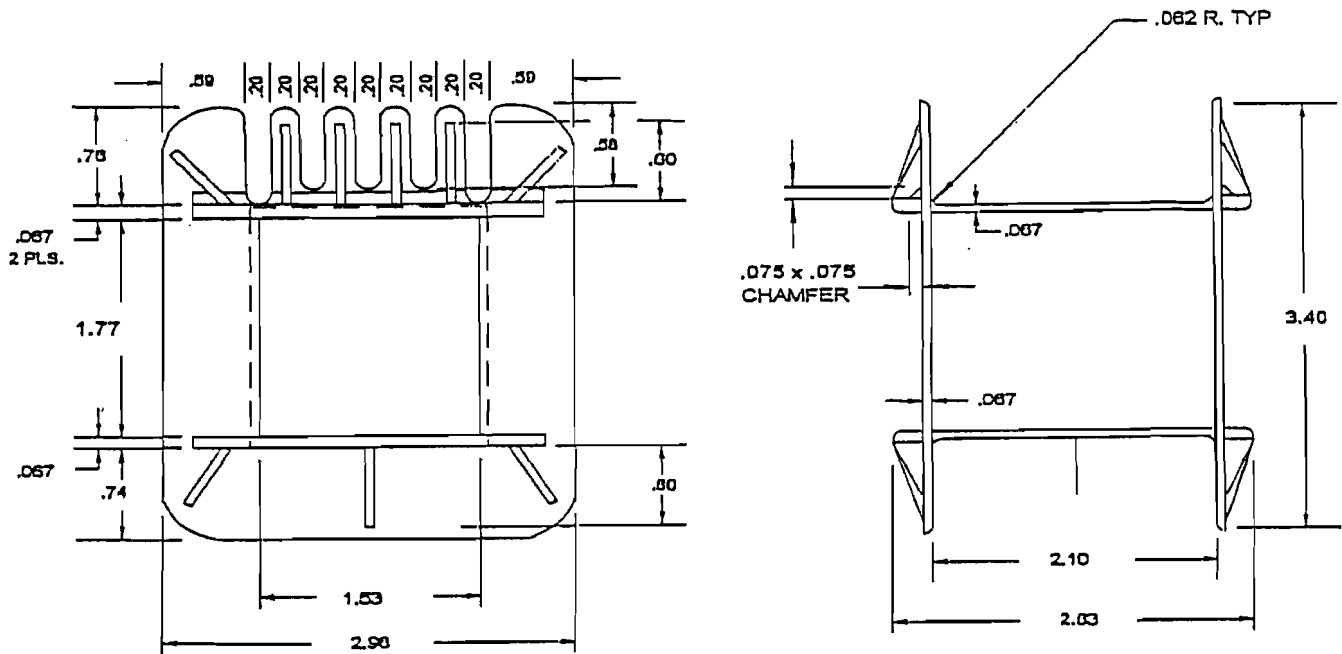
Arbon Incorporated
P.O. Box 56922
Norridge, Illinois 60706

tel 708.456.7956
fax 708.583.0137
email arboninc@aol.com

Engineered Plastic Parts

ARBON Part # 158-0-G

EI-150 x 1.75





Arbon Incorporated
P.O. Box 56922
Norridge, Illinois 60706

tel 708.456.7956
fax 708.583.0137
email arboninc@aol.com

Engineered Plastic Parts

ARBON Part # 160-0-G

EI-150 x 2.0

