



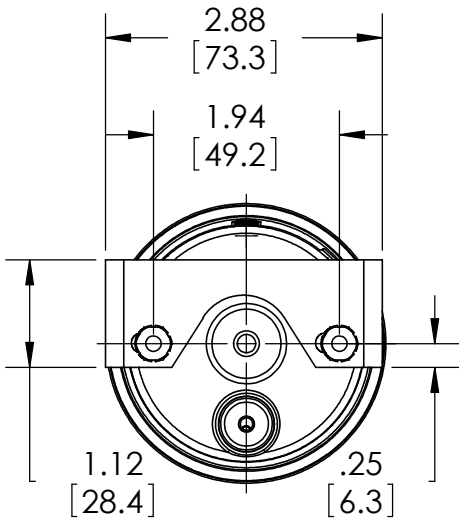
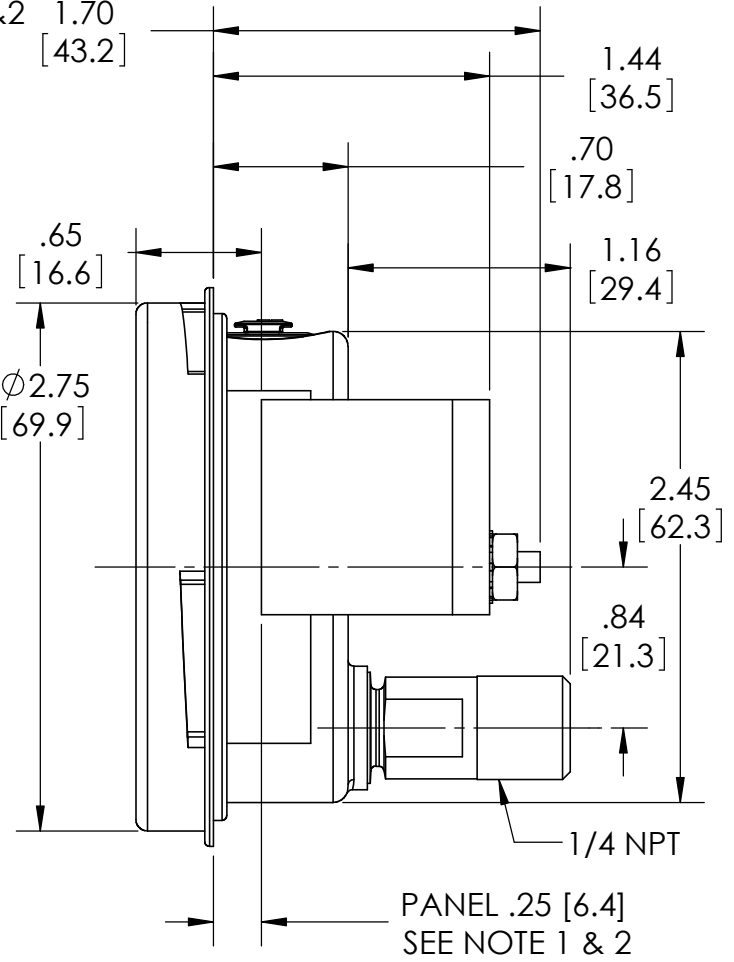
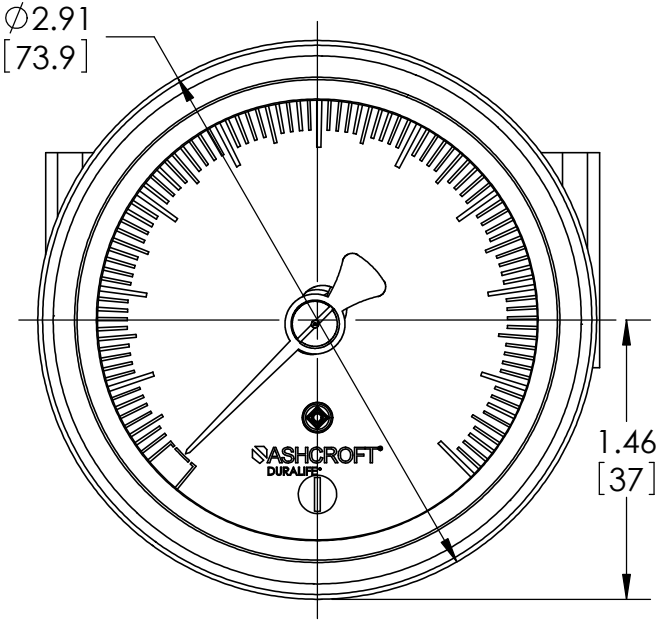
This drawing includes confidential information which is the property of ASHCROFT INC. This copy is loaned for a specific purpose, with the understanding that it will not be reproduced or used for any other purpose or disclosed to others, and it will be returned on demand.

**ASHCROFT** INC.

250 EAST MAIN STREET  
STRATFORD, CT 06614

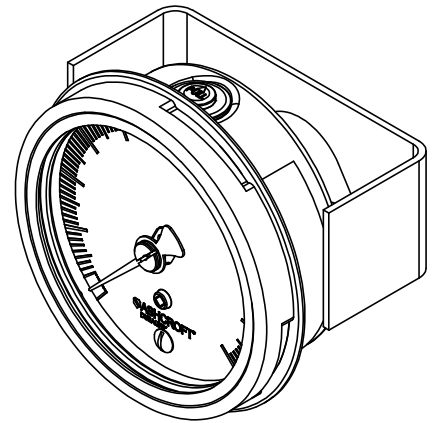
SEE NOTE 1 & 2 1.70 [43.2]

NOTE 1: BRACKET POSITIONED FOR 1/4" PANEL  
NOTE 2: PANEL THICKNESS RANGES FROM 1/16" TO 1/4"  
NOTE 3: PANEL CUTOUT: 2.53 [64] +/- .03[1]



REAR VIEW

DIMENSIONS IN [ ] ARE MILLIMETERS



REV.	ECO	DESCRIPTION	BY	DATE
A	0004508	RELEASED GENERAL DIMS. FOR 25 1009 02B XUC	MJS	6/23/2010

This print certified correct for		General Dimensions		
Customer's Name		25 1009 02B XUC SERIES		
		DURALIFE		
Customer's Order No.	Drawn MJS	Date 6/23/10	Date of Issue	
Ashcroft Order No.	Checked	Date	SHEET-1	Rev.
Certified by	Date	Approved	Date	<b>70A3065</b>
				<b>A</b>