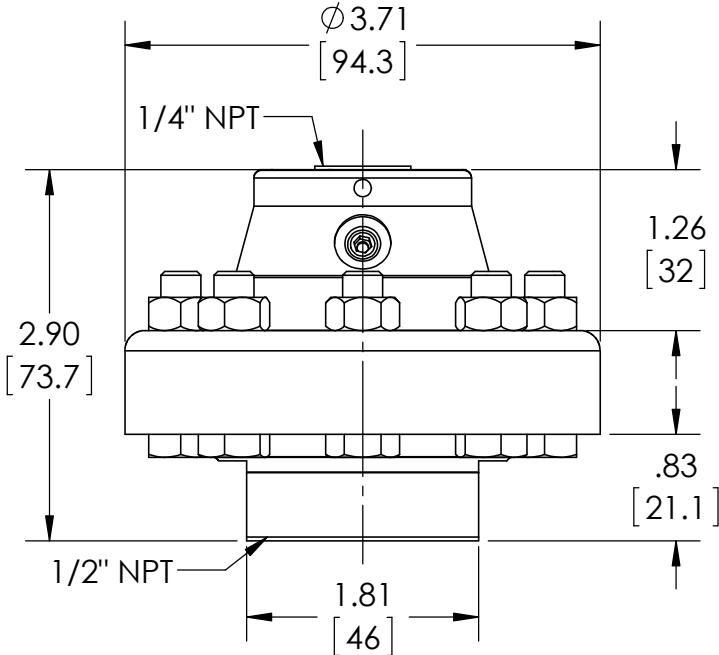
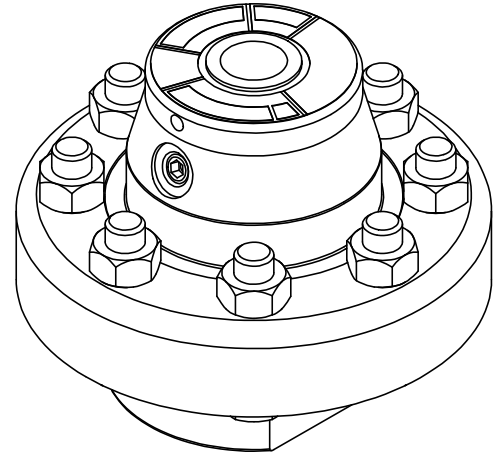
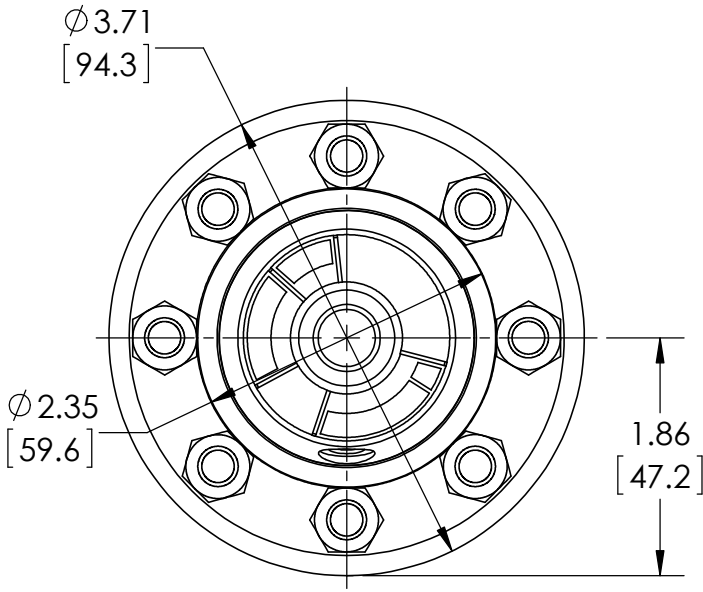




This drawing includes confidential information which is the property of ASHCROFT INC. This copy is loaned for a specific purpose, with the understanding that it will not be reproduced or used for any other purpose or disclosed to others, and it will be returned on demand.

**ASHCROFT** INC.

250 EAST MAIN STREET  
STRATFORD, CT 06614



DIMENSIONS IN [ ] ARE MILLIMETERS

REV.	ECO	DESCRIPTION	BY	DATE
A	0005001	RELEASED GENERAL DIMS.	MJS	7/19/2010

This print certified correct for		<b>General Dimensions</b>		
Customer's Name		TYPE: 100, 200, 300		
		PROCESS CONN: 1/2" - INSTRUMENT CONN: 1/4" NPT		
		THREADED DIAPHRAGM SEAL		
Customer's Order No.		Drawn MJS	Date 7/19/10	Date of Issue
Ashcroft Order No.		Checked	Date	SHEET-1
Certified by	Date	Approved	Date	<b>70A3174</b>
				<b>A</b>