

## EI Series Bimetal Thermometers

### FEATURES

- 1% full span accuracy ASME B40.200 (ASME B40.3 Grade A)
- Maximum ambient temp. is 200°F (94°C)
- Hermetically sealed case to prevent entry of moisture, interior corrosion and coil freeze-up.
- External adjustment permits zero reset from outside the case.
- Maxivision® dial allows readability from any angle without parallax error.
- Silicone coil dampening (up to 400°F) provides vibration dampening and improves response time.
- All-welded stainless steel construction
- Heavy-Duty glass lens
- Protection NEMA 4X/IP66
- Five-year limited warranty



### SPECIFICATIONS

<b>Ashcroft® Series:</b>	EI																								
<b>Dial Sizes:</b>	2", 3", 5"																								
<b>Stem Length:</b>	2½"-60" (1)																								
<b>Case &amp; Stem:</b>	304 stainless steel, hermetically sealed																								
<b>Stem Dia:</b>	.250"																								
<b>Window:</b>	Heavy-duty glass, plastic or shatter-proof glass optional																								
<b>Dial:</b>	Maxivision®, black figures on white background																								
<b>Pointer:</b>	Black																								
<b>Connection:</b>	Plain, pointed plain, ¼ NPT, ½ NPT, ½ NPT union																								
<b>Connection Location:</b>	Everyangle™, Lower, Rear																								
<b>Ranges:</b>	-80/120°F-200/1000°F -50/50°C-100/500°C																								
<b>Options:</b>	<table border="0"> <tr> <td><b>Code Description</b></td> <td></td> </tr> <tr> <td><b>C4</b></td> <td>Individual calibration cert.</td> </tr> <tr> <td><b>XCS</b></td> <td>Dual scale<sup>(2)</sup></td> </tr> <tr> <td><b>XDM</b></td> <td>Dial marking</td> </tr> <tr> <td><b>XNH</b></td> <td>Stainless steel tag</td> </tr> <tr> <td><b>XNN</b></td> <td>Paper tag</td> </tr> <tr> <td><b>XPD</b></td> <td>Plastic window</td> </tr> <tr> <td><b>XSG</b></td> <td>Shatter proof glass</td> </tr> <tr> <td><b>X3B</b></td> <td>¾" stem dia. with ½ NPT</td> </tr> <tr> <td><b>X02</b></td> <td>¼ NPT when ½ NPT is standard<sup>(3)</sup></td> </tr> <tr> <td><b>XS1</b></td> <td>Silicone free</td> </tr> <tr> <td><b>XYW</b></td> <td>316SS Housing<sup>(4)</sup> and stem</td> </tr> </table>	<b>Code Description</b>		<b>C4</b>	Individual calibration cert.	<b>XCS</b>	Dual scale <sup>(2)</sup>	<b>XDM</b>	Dial marking	<b>XNH</b>	Stainless steel tag	<b>XNN</b>	Paper tag	<b>XPD</b>	Plastic window	<b>XSG</b>	Shatter proof glass	<b>X3B</b>	¾" stem dia. with ½ NPT	<b>X02</b>	¼ NPT when ½ NPT is standard <sup>(3)</sup>	<b>XS1</b>	Silicone free	<b>XYW</b>	316SS Housing <sup>(4)</sup> and stem
<b>Code Description</b>																									
<b>C4</b>	Individual calibration cert.																								
<b>XCS</b>	Dual scale <sup>(2)</sup>																								
<b>XDM</b>	Dial marking																								
<b>XNH</b>	Stainless steel tag																								
<b>XNN</b>	Paper tag																								
<b>XPD</b>	Plastic window																								
<b>XSG</b>	Shatter proof glass																								
<b>X3B</b>	¾" stem dia. with ½ NPT																								
<b>X02</b>	¼ NPT when ½ NPT is standard <sup>(3)</sup>																								
<b>XS1</b>	Silicone free																								
<b>XYW</b>	316SS Housing <sup>(4)</sup> and stem																								

(1) 25"-60" lengths available, consult factory  
 (2) Dual scale available with 3" and 5" case only  
 (3) Only available on rear connection  
 (4) Only available on 5" Everyangle™

Thermowells must be used on all pressure or velocity applications, to protect the stem of thermometer from corrosion and physical damage, and to facilitate removal of the thermometer without disturbing the process. Maximum ambient temperature is 200°F (95°C).

### HOW TO ORDER

30 EI 60 R 040 0/250°F XNH

Dial Size: 3" Code 30 \_\_\_\_\_

Case Style: EI \_\_\_\_\_

Stem Connection: ½ NPT Code 60 \_\_\_\_\_

Stem Location: Rear Code R \_\_\_\_\_

Stem Length: 4" Code 040 \_\_\_\_\_

Range: Code 0/250°F \_\_\_\_\_

Options: Stainless steel tag \_\_\_\_\_

## EI Series Bimetal Thermometers

**EI Series selection table**

Case	Size	Dial Code	Style Code	Stem			Stem Lengths Available		Temperature Range												
				Conn.	Code	Location	Code	Length (inches)	Code	°F* Fahrenheit	% Div.	Fig. Inter.	°C Celsius	% Div.	Fig. Inter.						
2"	20			Plain	40	Rear	R	2½	025	-80/120	2	20	-50/50	1	10						
				Pointed	50					-20/120††			-10/110			2	10				
				¼ NPT	60					-40/120			-20/120			2	20				
3"	30			¼ NPT Union	42	Everyangle	E	4	040	6	060	20	0/50††	1	5						
				½ NPT	60								0/200			0/100	1	10			
				¾ NPT	60								20/120			10/150	2	20			
				5"	50			½ NPT	60	Rear	R	9	090	5	50	0/250	5	50			
								¾ NPT	60	Lower	L	12	120			50/300			0/200	2	20
								¼ NPT Union	42	Everyangle	E	15	150			50/400			0/300††	5	50
5"	50			½ NPT	60	Rear	R	18	180	10	100	0/400†	5	50							
				¾ NPT	60	Lower	L	24	240			50/550			50/450**††	5	50				
				¼ NPT	60	Lower	L					200/700†			100/500**††	5	50				

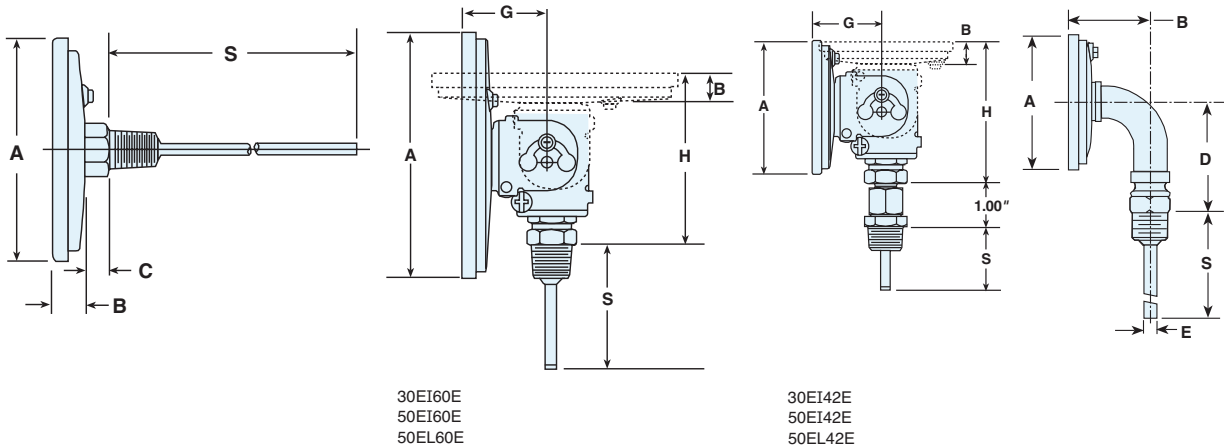
CONTACT FACTORY FOR ADDITIONAL STEM LENGTHS AND RANGES NOT LISTED

**EI Dimensions**

Case Series	Dial Size	Connection Location	A	B	C	D	E	G	H	S	NPT	Hex	Weight in ounces <sup>(3)</sup>
													S - 2½"
EI	2"	Rear (Plain)	2½ (53)	¾ (10)	¾ (8)	-	-	-	-	-(2)	-	1¼	4½
EI	2"	Rear (Plain, pointed stem)	2½ (53)	¾ (10)	¾ (8)	-	-	-	-	-(2)	-	1¼	4½
EI	2"	Rear (Threaded)	2½ (53)	¾ (10)	¾ (8)	-	-	-	-	-(2)	¼	1¼	4½
EI	3"	Rear	3½ (80)	1⅝ (15)	¾ (8)	-	-	-	-	-(2)	½	¾	7
EI	3"	Lower	3½ (80)	1⅞ (47)	-	2½ (67)	¼ (6)	-	-	-(2)	½	¾	11
EI	3"	Everyangle	3½ (80)	1⅝ (15)	-	-	-	1⅞ (42)	3½ (89)	-(2)	½	¾	10
EI	5"	Rear	5½ (128)	2⅝ (18)	¾ (8)	-	-	-	-	-(2)	½	¾	16
EI	5"	Lower	5½ (128)	1⅞ (49)	-	3½ (92)	¼ (6)	-	-	-(2)	½	¾	26
EI	5"	Everyangle	5½ (128)	2⅝ (18)	-	-	-	1⅞ (48)	3½ (93)	-(2)	½	¾	25

**NOTES:**

- Figures in parenthesis ( ) are in millimeters. All other dimensions are in inches.
- Standard "S" dimensions are 2½, 4, 6, 9, 12, 15, 18 and 24 inches. Standard stem diameter is ¼ inch.
- Add 1 oz. for every 2 inches of stem length.

**DIMENSIONS**

**EI Series dual scale ranges**

Dual scales are available in 3" and 5" dial sizes in the following ranges:

Inner	Outer
-80/120°F	and -60/50°C
-40/120°F	and -40/50°C
-40/160°F	and -40/70°C
-20/120°F	and -30/50°C††
0/200°F	and -20/90°C
0/250°F	and -20/120°C
30/130°F	and 0/55°C††
50/300°F	and 10/150°C
50/400°F	and 10/200°C
50/550°F	and 10/290°C
100/800°F	and 50/400°C†
200/700°F	and 100/370°C†
200/1000°F	and 100/550°C**†

**Overtemperature limits**

Top of Range °F	Maximum Over Temperature
up to 250	100% of span
251/550	50% of span
551/1000	800°F **

\*Dual scale ranges available for all standard °F ranges (3" and 5" case only)

\*\*Satisfactory for continuous service up to 800°F or 425°C. Can be used for intermittent service from 800 to 1000°F, or 425 to 500°C. Use Ashcroft Duratemp® thermometers for ranges above and below those listed above.

†Minimum stem length for these ranges is 4".

††Minimum stem length for lower connection and Everyangle is 4".