

Type 1005P Commercial Gauge



Shown with
Optional Rubber Boot



FEATURES

- Corrosion resistant ABS case
- Now available in 1½" – 3½" sizes in both lower and back connection.
- New panel mount conversion kit allows user to transform a back connect gauge into a panel-mount gauge.

The essence of Ashcroft Type 1005P gauges is attractive styling, a technically superior design, durable construction and economy.

The core of the Type 1005P gauge is the patented PowerFlex™ movement. This movement has been thoroughly tested and proven to be more resistant to shock, vibration, and pulsation than conventional movements, thus ensuring a more accurate, dependable, long-lasting gauge.

True Zero™ indication, a unique safety feature standard on these gauges, is the accurate indication of zero pressure being applied to the gauge. In addition to the increased safety benefits, this means reduced inspection and manufacturing costs for you and your customer.

For added versatility the new panel mount conversion kit, ordered as an accessory, allows the user to convert the 1005P back connect gauge to a panel mount gauge. Gauge installation and replacement is easy with the panel mount conversion kit. Simply push the gauge in to install or push the gauge out to uninstall (not possible to uninstall 1½" gauge).

COMMONLY USED ON

Compressors, filter regulators, fluid power equipment, medical equipment, pool and spa filters, automotive diagnostic equipment, beverage dispensing equipment, industrial machinery, a variety of other applications

PRODUCT SPECIFICATIONS

Ashcroft Model No.:	1005P
Sizes:	1½", 2", 2½", 3½"
Case:	Black, ABS
Window:	Polycarbonate
Dial:	Black figures on white background, aluminum
Pointer:	Black, aluminum
Bourdon Tube:	C-shape bronze (2"–3½", vacuum–600 psi and compound; 1½", vacuum–1000 psi) Helical bronze (2"–3½", 1000–6000 psi)
Movement:	PowerFlex™ with polyester segment
Socket:	Brass
Restrictor:	.013" orifice throttle plug in gauges 1000 psi and above
Accuracy:	ASME B40.1, Grade B, ±3-2-3%
Connections:	½ and ¾ NPT, lower and back (1½" not available in ¼ NPT)
Ranges:	1½" Vac-1000 psi only 2", 2½" Vac-6000 psi and compound 3½" Vac-6000 psi and compound
Operating Temp.:	–40°F to 150°F, –40°C to 65°C

OPTIONAL FEATURES

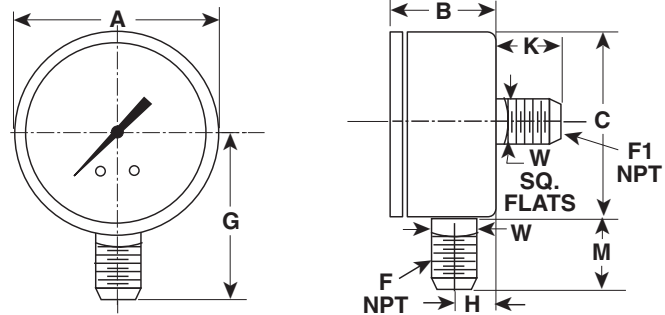
Case:	Panel mount conversion kit (XUC), ordered as an accessory kit Case color (other than black) Vent hole
Pointer:	Adjustable Min/max assembly
Movement:	Flutterguard™
Socket:	Non-standard length or thread Throttle plugs – 0.007", 0.013", 0.020", 0.063", Nickel plated, Teflon taped, Top or side connection
Dials:	Customized Non-standard ranges Receiver ranges – 0/100 linear 0/100 percent 0/10 sq. root Aluminum (for added corrosion resistance)
Others:	UL 404 and 252A listing for compressed gas service Bulk packaging Black Rubber Gauge Boots for lower connect gauges

HOW TO ORDER (Typical example)

		20	W	1005	P	H	02L	XAP	400#
Dial Size: 2"	_____								
Movement: Patented PowerFlex™	_____								
Case Type Number: 1005P	_____								
Case Material: ABS	_____								
Socket Material: Brass	_____								
Connection Size/Location: ¼ NPT Lower	_____								
Option: Adjustable Pointer	_____								
Range: 0/400 psi	_____								

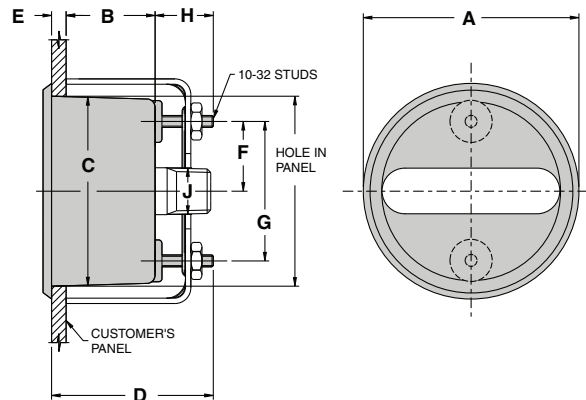
Type 1005P Commercial Gauge

GAUGE DIMENSIONS



DIAL SIZE inches (mm)	A		B		C	F NPT	F1 NPT	G	H	K	M	W		WEIGHT OZ / KG	
	LOWER	BACK	LOWER	BACK								LOWER	BACK	LOWER	BACK
1½"	1.66 (42)	1.64 (42)	1.07 (27)	1.01 (26)	1.60 (41)	½	½	1.41 (36)	0.38 (10)	0.62 (16)	0.62 (16)	0.56 (14)	0.44 (11)	1.62 oz 0.046 kg	1.55 oz 0.044 kg
2"	2.11 (54)	2.11 (54)	1.07 (27)	1.05 (27)	2.05 (52)	½ or ¼	½ or ¼	1.85 (47)	0.38 (10)	0.85 (22)	0.82 (21)	0.56 (14)	0.56 (14)	2.40 oz 0.068 kg	2.75 oz 0.078 kg
2½"	2.74 (70)	2.74 (70)	1.12 (28)	1.14 (29)	2.67 (68)	½ or ¼	½ or ¼	2.18 (55)	0.38 (10)	0.78 (20)	0.83 (21)	0.56 (14)	0.56 (14)	2.89 oz 0.082 kg	3.17 oz 0.090 kg
3½"	3.70 (94)	3.70 (94)	1.14 (29)	1.28 (32)	3.62 (92)	½ or ¼	½ or ¼	2.72 (69)	0.47 (12)	0.72 (18)	0.92 (23)	0.56 (14)	0.56 (14)	5.36 oz 0.152 kg	4.37 oz 0.124 kg

PANEL MOUNT SLEEVE DIMENSIONS (ordered as an accessory kit)



INCHES (MM)	ABS CASE PANEL MOUNT SLEEVE									Conn. NPT
	A	B	C	D	E	F	G	H	J	
1½"	2.05 (52)	1.04 (27)	1.75 (45)	1.85 (47)	0.13 (3)	.60 (14)	1.19 (30)	0.68 (18)	7/16 sq. (11)	½
2"	2.52 (64)	1.04 (27)	2.23 (57)	1.89 (48)	0.17 (4)	.82 (21)	1.63 (41)	0.68 (18)	9/16 sq. (14)	½ or ¼
2½"	3.17 (81)	1.13 (29)	2.84 (72)	1.98 (50)	0.17 (4)	1.13 (29)	2.26 (57)	0.68 (18)	9/16 sq. (14)	½ or ¼
3½"	4.08 (104)	1.23 (31)	3.80 (96)	2.11 (54)	0.20 (5)	1.61 (41)	3.22 (82)	0.68 (18)	9/16 sq. (14)	½ or ¼

INCHES (MM)	PANEL CUT OUT	
	Min.	Max.
1½"	1.850 (47)	1.968 (50)
2"	2.330 (59)	2.440 (62)
2½"	2.920 (74)	3.075 (78)
3½"	3.898 (99)	4.016 (102)