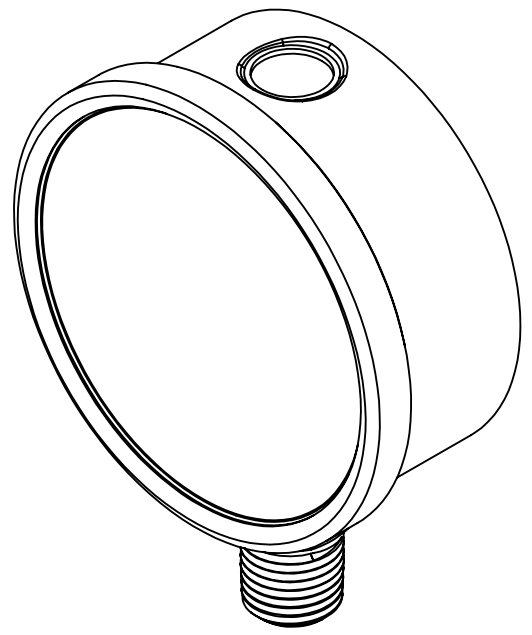
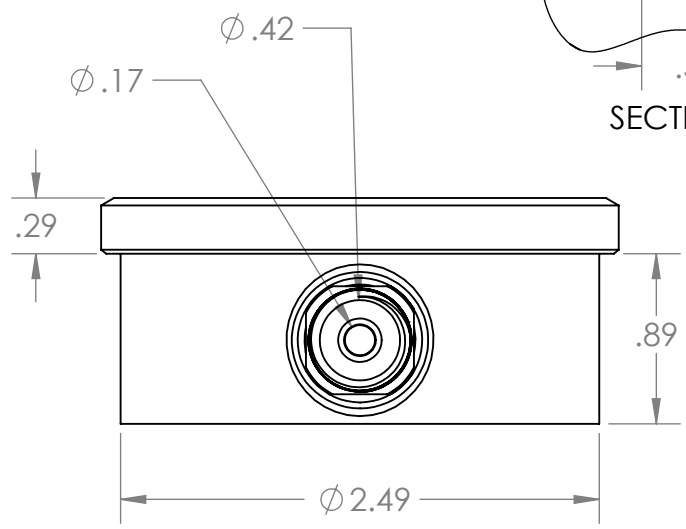
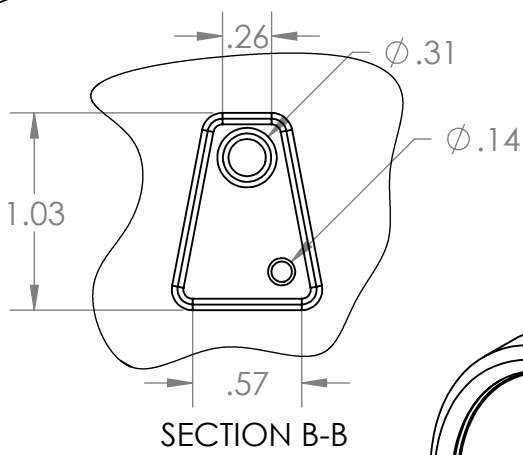
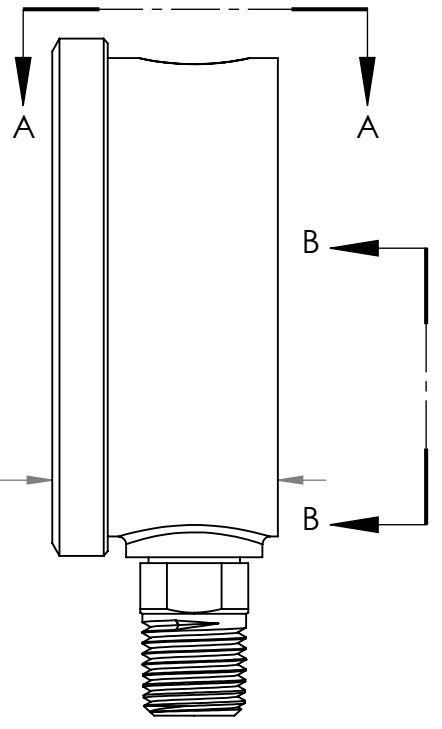
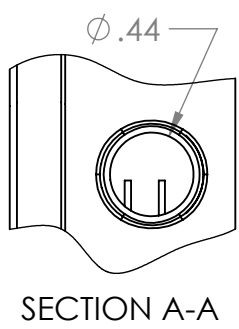
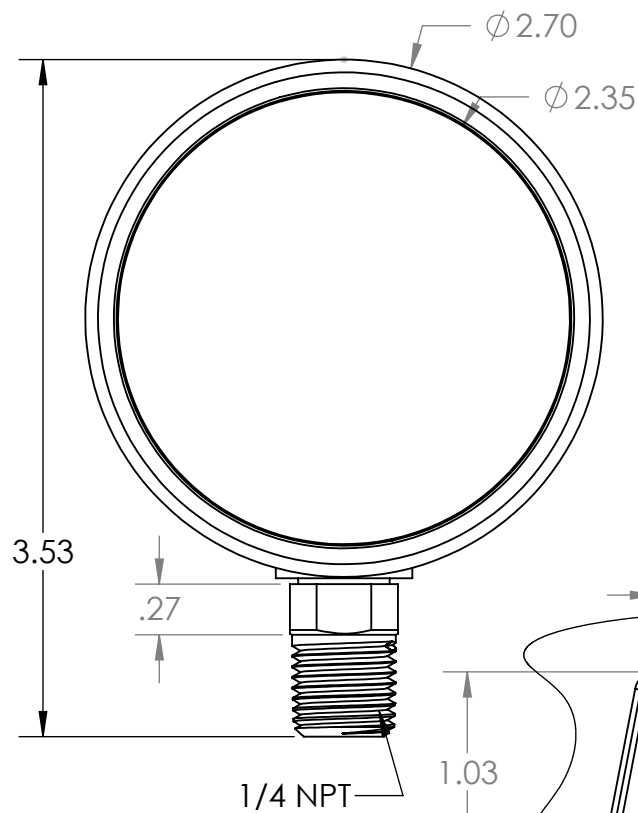


This drawing includes confidential information which is the property of ASHCROFT INC. This copy is loaned for a specific purpose, with the understanding that it will not be reproduced or used for any other purpose or disclosed to others, and it will be returned on demand.



REV.	ECO	DESCRIPTION	BY	DATE
A	0006069	New Drawing Released	JE	11/8/2012

This print certified correct for		63 1008A 02L General Dimensions		
Customer's Name				
Customer's Order No.	Drawn JE	Date 11-08-12	Date of Issue	
Ashcroft Order No.	Checked	Date	SHEET-1	Rev.
Certified by	Date	Approved	Date	70A3948 A