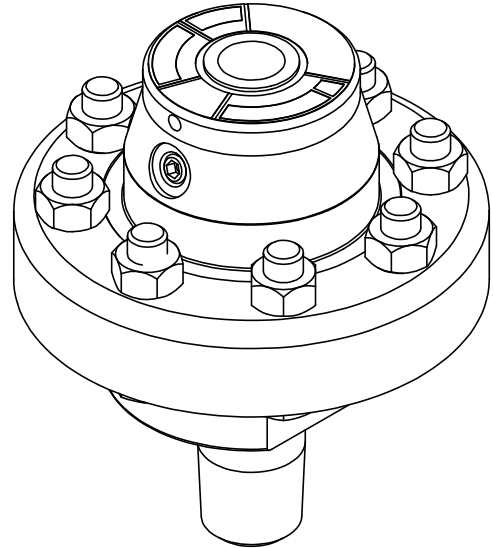
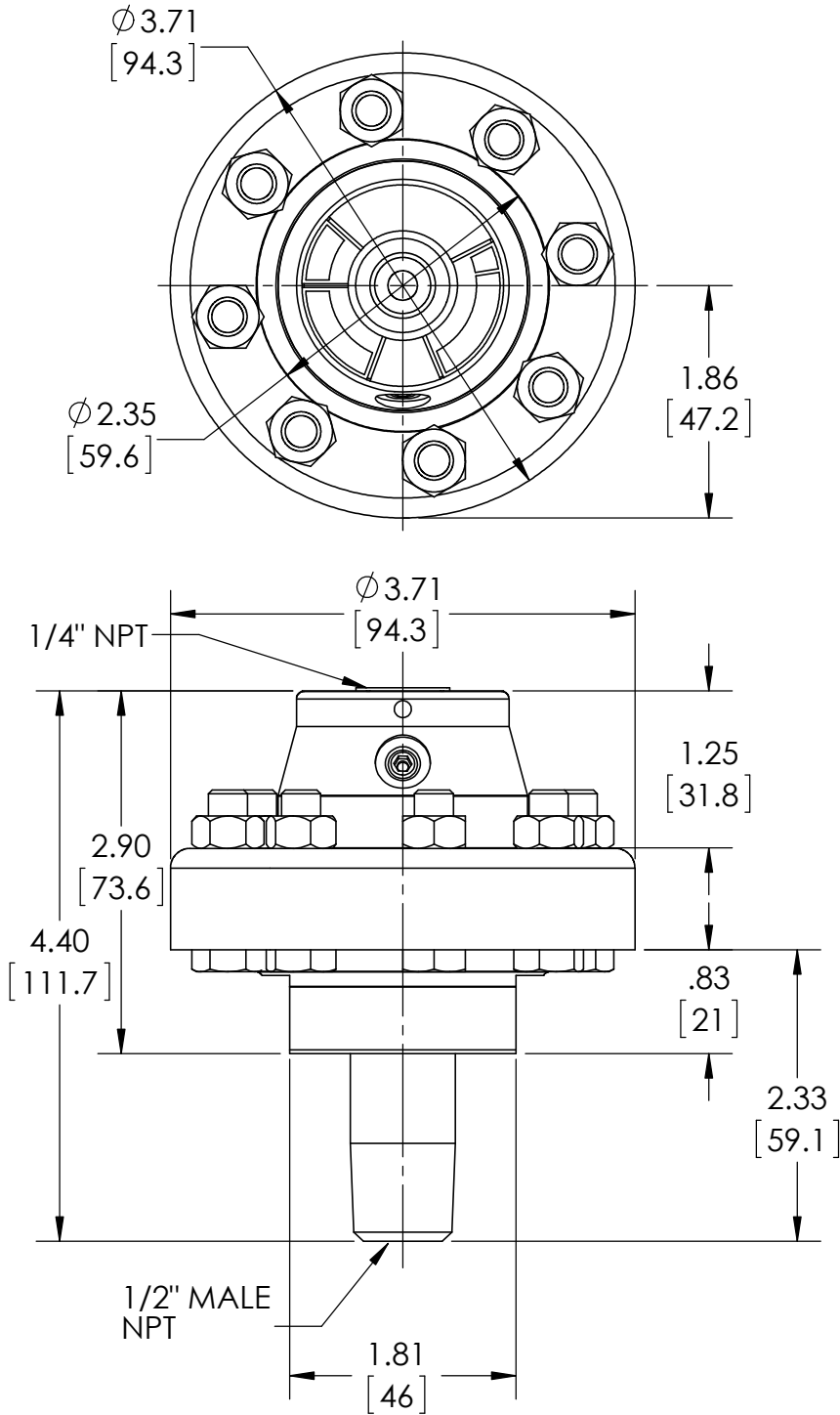




This drawing includes confidential information which is the property of ASHCROFT INC. This copy is loaned for a specific purpose, with the understanding that it will not be reproduced or used for any other purpose or disclosed to others, and it will be returned on demand.

**ASHCROFT** INC.

250 EAST MAIN STREET  
STRATFORD, CT 06614



DIMENSIONS IN [ ] ARE MILLIMETERS

REV.	ECO	DESCRIPTION	BY	DATE
A	0005001	RELEASED GENERAL DIMS.	MJS	7/16/2010

This print certified correct for		General Dimensions			
Customer's Name		TYPE: 100, 200, 300			
Customer's Order No.		PROCESS CONN: 1/2" MALE - INSTRUMENT CONN: 1/4" THREADED DIAPHRAGM SEAL			
Ashcroft Order No.		Drawn MJS	Date 7/16/10	Date of Issue	
Certified by		Checked	Date	SHEET-1	Rev.
Date	Approved	Date	70A3104		A