

## 8008A Pressure Gauge

### FEATURES

- Meets EN837-1 and ASME B40.100 specifications
- Corrosion resistant stainless steel case
- Dry gauges are field fillable
- Flutterguard™ standard on dry gauges
- Custom dials available
- Ventable fill plug
- Accessory kits for easy panel mounting

### TYPICAL USES

- Hydraulic systems
- Hydraulic hand tools
- Injection molding equipment
- Pressure washers and sprayers
- Paint spray equipment
- Compressors
- Irrigation equipment



### SPECIFICATIONS

Accuracy:	63mm: ±1.6% of span per EN837-1 ±1% of span per EN837-1 ASME B40.100, Grade A, ±2-1-2% of span
	100mm: ±1% of span per EN837-1
Sizes:	63mm (2½"); 100mm (4")
Ranges:	Vacuum, compound, 15 to 15,000 psi bar, kPa, MPa, kg/cm², (available in single or dual scale)
Working Pressure:	Steady: 75% full-scale value Fluctuating: 80% full-scale value Short Time: full-scale value

#### Wetted Materials

Tube:	Bronze (vacuum-8,700 psi and compound) 316L SS (10,000-15,000 psi)
Process Connection:	Brass/Soldered (vacuum-8,700 psi and compound) Brass/Brazed (10,000-15,000 psi)
Restrictor:	Brass, 0.013" orifice (no restrictor in vacuum and 15 psi ranges)

#### Non Wetted Materials

Window:	Polycarbonate, glass, or safety glass
Dial:	Black figures on white background (blue secondary scale for dual scale dials); aluminum
Pointer:	Black, aluminum
Movement:	Brass
Case:	304 SS
Ring:	304 SS, crimped
Process Connection	63mm: Lower and center back
Location:	100mm: Lower and lower back
Process Connection	63mm: ½ NPT, ¼ NPT, G¼ B, ¼ BSPT, SAE-4 7/16-20
Sizes:	100mm: ¼ NPT, G¼ B, ¼ BSPT, ½ NPT, G½ B
Fill Fluid:	Dry with Flutterguard, Glycerin, Silicone

### KEY BENEFITS

- Rugged design for OEM applications
- Cost effective for high volume applications
- Retrofits existing applications
- Customizable for new applications

Process Temperature:	Dry with Flutterguard -40 °F to 158 °F (-40 °C to 70 °C) Glycerin -4 °F to 158 °F (-20 °C to 70 °C) Silicone -40 °F to 158 °F (-40 °C to 70 °C)
Ambient Temperature:	Dry with Flutterguard -40 °F to 158 °F (-40 °C to 70 °C) Glycerin 20 °F to 158 °F (-7 °C to 70 °C) Silicone -40 °F to 158 °F (-40 °C to 70 °C)
Storage Temperature:	-40 °F to 158 °F (-40 °C to 70 °C)
Temperature Effects:	±0.04% of span per °C change; reference temp. 20 °C ±0.4% of span per 18 °F change; reference temp. 68 °F
Weather Protection:	IP66 and NEMA 4 for water and dust ingress
Approvals:	RoHS (EU Directives 2011/65/EU and 2015/863); PED (2014/68/EU); REACH compliant; CRN Listed Ontario (other provinces pending); IP 66 rating; Nema 4 for water and dust ingress
Overpressure/ Proof Pressure:	≤ 100 bar ranges; 125% of maximum scale value > 100 to ≤ 600 bar ranges; 115% of maximum scale value > 600 to ≤ 1000 bar ranges; 110% of maximum scale value
Optional features:	Custom dials Special connections on application 0.007", 0.020", 0.063" orifice restrictors Panel mounting kits (U-clamp and front flange) Special packaging

# 8008A Pressure Gauge

## ORDERING CODE

Example: **63** **8008** **A** **4** **G** **02** **L** **P** **0** **L** **10BR**

<b>Size</b>											
63 - 63mm	63										
10 - 100mm	10										
<b>Type</b>											
8008 - Pressure gauge	8008										
<b>Wetted Material</b>											
A - Phos. bronze tube/brass conn. (vacuum-8,700 psi and compound)											
316L SS tube/brass conn. (10,000-15,000 psi)		A									
<b>Case Material</b>											
4 - 304 SS			4								
<b>Fill</b>											
F - Dry with Flutterguard™				F							
G - Glycerine filled				G							
S - Silicone filled				S							
N - Dry, Silicone free				N							
T - Dry, with silicone free Flutterguard™				T							
<b>Process Connection Sizes</b>											
01 - 1/8 NPT Male (63mm only)					01						
02 - 1/4 NPT Male					02						
04 - 1/2 NPT Male (100mm only)					04						
13 - G1/4B Male					13						
15 - G1/2B Male (100mm only)					15						
KA - 1/4 BSPT					KA						
RW - SAE-4 7/16-20 (63mm only)					RW						
<b>Process Connection Location</b>											
L - Lower						L					
B - Lower-back (100mm only)						B					
C - Center-back (63mm only)						C					
T - Top						T					
E - 9 O'Clock, left side						E					
D - 3 O'Clock, right side						D					
<b>Window Material</b>											
P - Polycarbonate							P				
R - Regular glass							R				
S - Safety glass							S				
<b>Case Mounting</b>											
0 - Stem mounting								0			
1 - U-clamp								1			
2 - Front flange								2			
4 - Front flange and U-clamp								4			
<b>Accuracy Class</b>											
J - ±1% of span (EN837-1)									J		
L - ±1.6% of span (EN837-1)									L		
M - ±2-1-2% of span (ASME B40.100 Grade A)									M		
<b>Ranges, Vacuum, Compound and Pressure</b>											
10BR (see range table)											10BR
<b>Variations</b>											
XWP - Omit restrictor (throttle plug)											XWP
XZO - Bulk packaging (63mm only)											XZO
XZP - Customer part number and description on Ashcroft label											XZP
XZQ - Customer part number only on label (no Ashcroft)											XZQ
XZW - Customer part number and gauge description on label (no Ashcroft)											XZW
XT4 - 0.007" Orifice Restrictor											XT4
XT7 - 0.020" Orifice Restrictor											XT7
XT9 - 0.063" Orifice Restrictor											XT9

## 8008A Pressure Gauge

		STANDARD RANGES				
		psi	bar	kPa	Mpa	kg/cm <sup>2</sup>
(1)	30IMV	-1BR	-100KP	-1MP	-1KSC	
	-	-1&.6BR	-100&60KP	-.1&.06MP	-1&.6KSC	
	V&15#	-	-	-	-	
	-	-1&1.5BR	-100&150KP	-.1&.15MP	-1&1.KSC	
	V&30#	-	-	-	-	
	-	-1&3BR	-100&300KP	-.1&.3MP	-1&3KSC	
	V&60#	-	-	-	-	
	-	-1&5BR	-100&500KP	-.1&.5MP	-1&5KSC	
	V&100#	-	-	-	-	
	-	-1&9BR	-100&900KP	-.1&.9MP	-1&9KSC	
(1)	15#	1BR	100KP	.1MP	1KSC	
	20#	-	-	-	-	
	-	1.6BR	160KP	.16MP	1.6KSC	
	30#	-	-	-	-	
	-	2.5BR	250KP	.25MP	2.5KSC	
	60#	4BR	400KP	.4MP	4KSC	
	-	6BR	600KP	.6MP	6KSC	
	100#	-	-	-	-	
	120#	-	-	-	-	
	-	10BR	1000KP	1MP	10KSC	
	160#	-	-	-	-	
	200#	-	-	-	-	
	-	16BR	1600KP	1.6MP	16KSC	
	300#	-	-	-	-	
	-	25BR	2500KP	2.5MP	25KSC	
	400#	-	-	-	-	
	500#	-	-	-	-	
	600#	40BR	4000KP	4MP	40KSC	
	800#	-	-	-	-	
	-	60BR	6000KP	6MP	60KSC	
	1000#	-	-	-	-	
	1500#	100BR	10000KP	10MP	100KSC	
	2000#	-	-	-	-	
	-	160BR	16000KP	16MP	160KSC	
	3000#	-	-	-	-	
	-	250BR	25000KP	25MP	250KSC	
	4000#	-	-	-	-	
	5000#	-	-	-	-	
	6000#	400BR	40000KP	40MP	400KSC	
	8000#	-	-	-	-	
-	600BR	60000KP	60MP	600KSC		
10000#	-	-	-	-		
15000#	1000BR	100000KP	100MP	1000KSC		

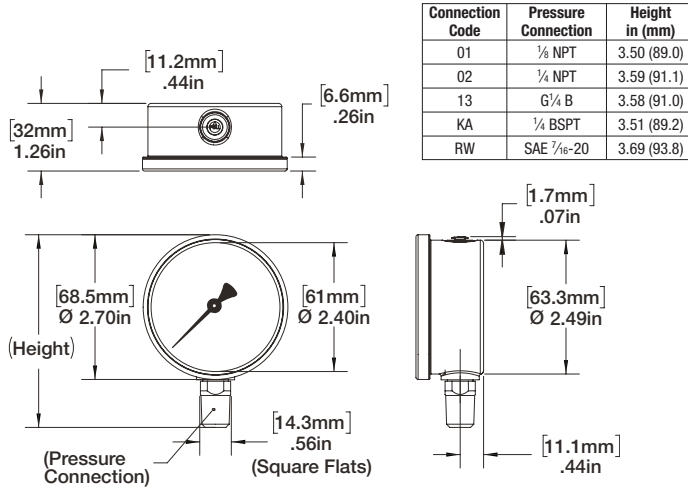
(1) 100mm gauge only available as liquid filled for these ranges.

# Data Sheet

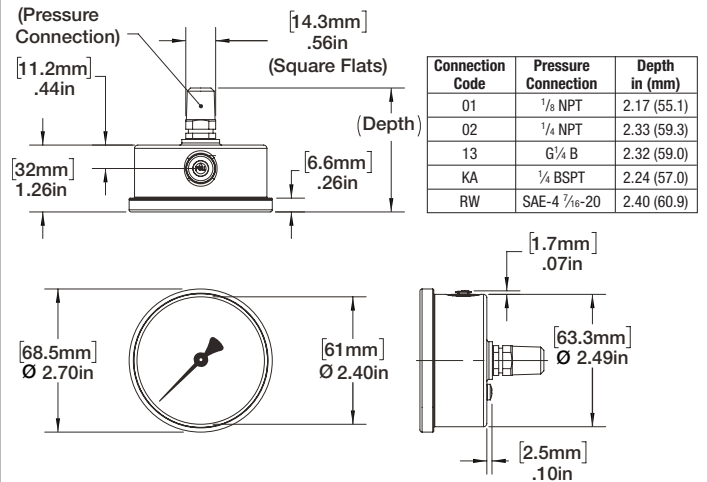
## 8008A Pressure Gauge

### DIMENSIONS (dimensions in [ ] are millimeters)

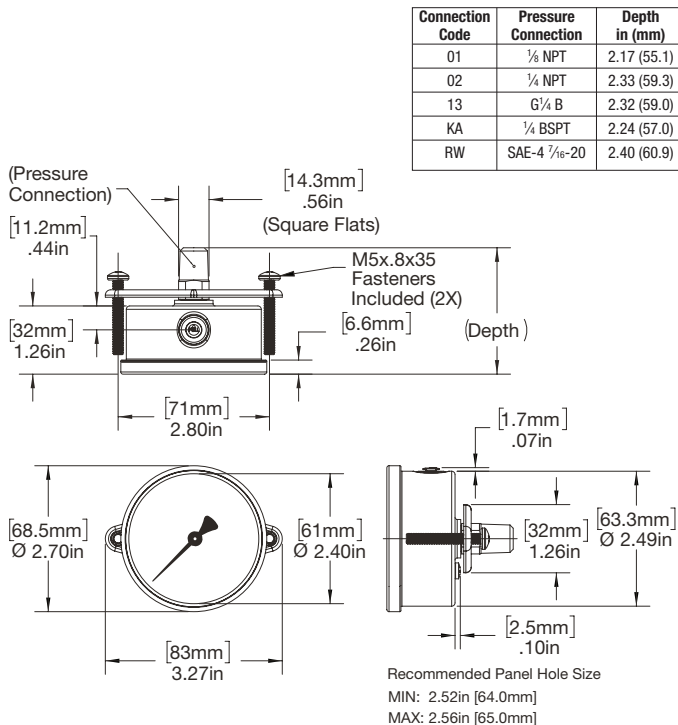
#### 8008 63mm lower connect



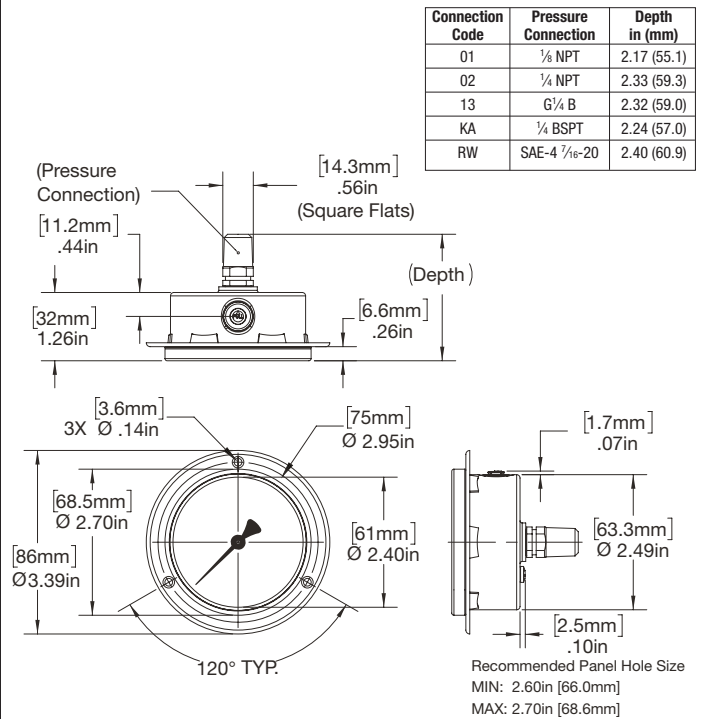
#### 8008 63mm center back connect



#### 8008 63mm center back connect - U clamp



#### 8008 63mm center back connect - front flange

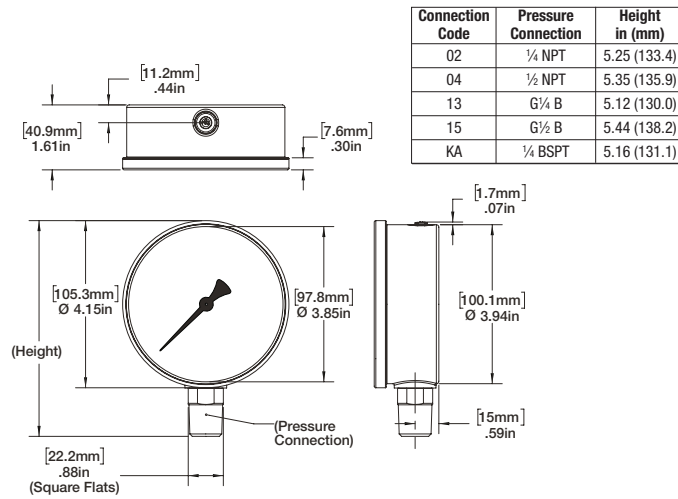


# Data Sheet

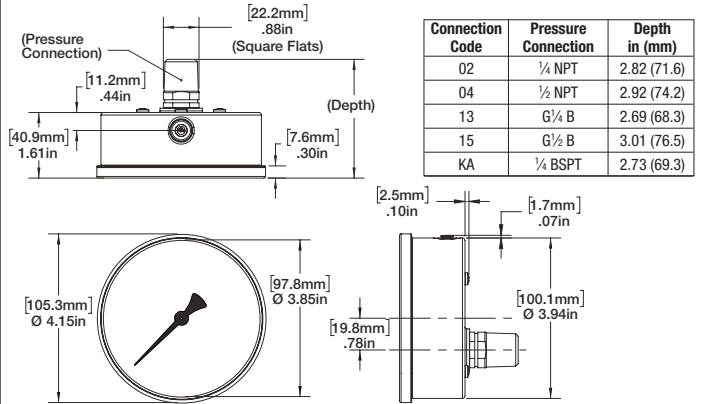
## 8008A Pressure Gauge

### DIMENSIONS (dimensions in [ ] are millimeters)

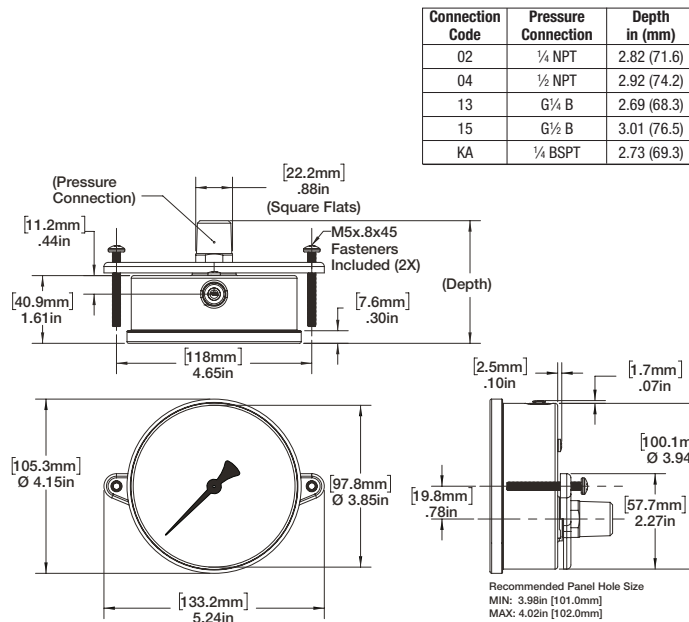
#### 8008 100mm lower connect



#### 8008 100mm lower back connect



#### 8008 100mm lower back connect - U clamp



#### 8008 100mm lower back connect - front flange

