

82 Threaded Isolation Ring

FEATURES

- 360° instrument rotation and removal with SQR Option
- Process Connections 1/2 thru 2 NPT
- Selection of 1/2" or 1/4" instrument connection
- Non-clogging, low maintenance flow-thru design
- Ensures reliable and accurate pressure readings
- Attaches to a variety of instruments

TYPICAL USES

- Water and wastewater
- Mining
- Pulp and paper
- Chemicals



SPECIFICATIONS

Process connection: 1/2 thru 2 NPT

Flexible liner: Buna, EPDM, natural rubber or Viton®

Flange material: 316SS or carbon steel

Body: 316SS or carbon steel

Instrum't. Conn. Size: 1/4 or 1/2 NPT

Pressure rating: 150 psi

ATTACHMENT OPTIONS

Direct connection

Safe Quick Release™ (SQR™)

Needle valve

Needle valve & Safe Quick Release™ (SQR™)

TEMPERATURE LIMITS

Liner process: Buna-N -30/225 °F (-34/107 °C)

Viton -15/350 °F (-25/177 °C)

Natural rubber -30/225 °F (-34/107 °C)

EPDM -40/300 °F (-40/149 °C)

Fill fluids: Glycerin : 0/400 °F (-18/204 °C)

Silicone (10Cst): -40/500 °F (-40/260 °C)

Halocarbon -30/225 °F (-34/107 °C)

Consult Factory for Additional Fluids

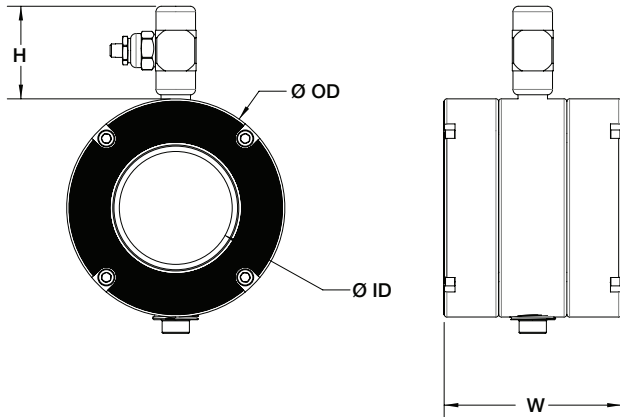
KEY BENEFITS

- Protects instrumentation from clogging
- Short lead times
- Economical design
- Variety of fill fluids for every application

Data Sheet

82 Threaded Isolation Ring

DIMENSIONS (dimensions in inches)



Nom. Pipe Size	Inner Dia. (ID)	Outer Dia. (OD)	Width (W)	Flange Thread (NPT-TPI)	Height		
					(None)	(Valve)	(SQR)
½"	1.05	3.00	3.00	.5 - 14	0	1.70	2.04
1"	1.05	3.00	3.25	1 - 11.5			
1½"	1.61	3.50	3.25	1½ - 11.5			
2"	2.07	4.00	3.25	2 - 11.5			

ORDERING CODE

Example:

82 50 E B B 02T N 000 CK

Type	82								
Threaded Isolation Ring	82								
Size									
½ NPT		50							
1 NPT		01							
1.5 NPT		15							
2 NPT		02							
Inner Flexible Wall									
Buna			E						
Viton			Y						
EPDM			P						
Natural Rubber			R						
Flange Material									
Carbon Steel				B					
Stainless Steel				S					
B Material									
Carbon Steel					B				
Stainless Steel					S				
Instrument Connection									
¼ NPT						02T			
½ NPT						04T			
Instrument Removal									
Direct Mount (Standard)							N		
Needle Valve							V		
Safe Quick Release™ (SQR™)							Q		
Needle Valve and (SQR™)							Z		
Flange Class									
Not Applicable to Type 82								000	
Fill Fluid (When attached to an instrument)									
Silicone (50 cSt)									CK
Silicone (10 cSt)									DJ
Halocarbon									CF