

## Type 1198 Finned Siphon

### FEATURES

- For pressure ratings to 3000psi
- For process temperature ratings to 700°F (371°C)
- Compatible with many process media
- For use with gauges, switches, transducers and diaphragm seals

### TYPICAL USES

- Chemical and Petrochemical
- Oil and Gas
- Pulp and Paper
- Power



### SPECIFICATIONS

Process Conn: ¼ NPTM, ½ NPTM

Instrument Conn: ¼ NPTF, ½ NPTF

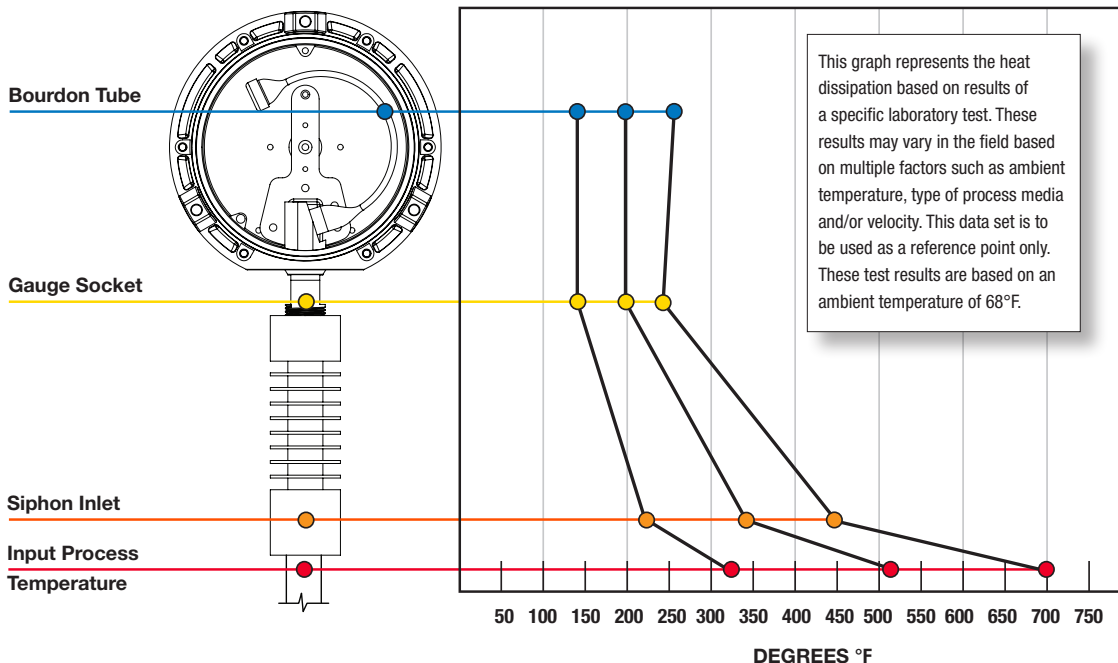
Materials: 316L Stainless Steel, Monel

Max Allowable

Working Pressure: 3000 psi (700°F)

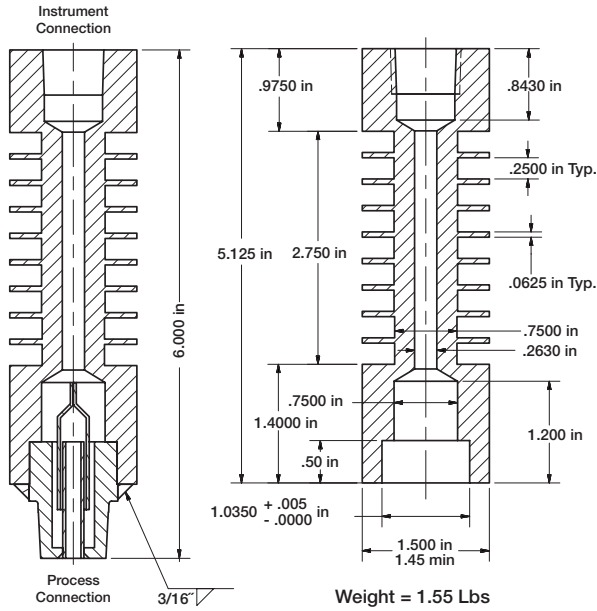
- Protects instrument from elevated temperatures
- Direct mounting of instrument with siphon to the process
- Built-in dampening mechanism combats pulsation

### FINNED SIPHON HEAT DISSIPATION CHART

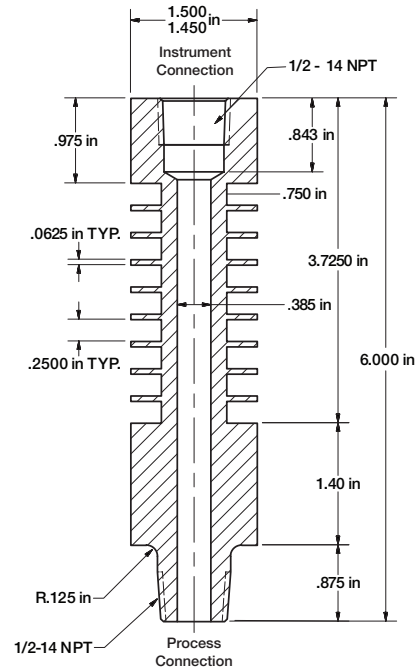


# Type 1198 Finned Siphon

## DIMENSIONS



316 Stainless Steel



Monel

## ORDERING CODE

Example: 04 1198 SS 50 XC3F2

### Process Connection

(02) ¼ NPT Male	02
(04) ½ NPT Male	04

### Model Type

(1198) Finned Siphon	1198
----------------------	------

### Material

(SS) 316L Stainless Steel	SS
(PM) Monel*	PM

### Instrument Connection

(25) ¼ NPT Female	25
(50) ½ NPT Female	50

### Options

(F2) Instrument Assembly: Pressure Gauge, Siphon	F2
(F3) Instrument Assembly: Pressure Gauge, Diaphragm Seal, Siphon	F3
(NH) Wired Stainless Steel Tag	NH
(6B) Cleaned for Gaseous Oxygen	6B
(6W) Cleaned for Oxidizing Process Other Than Oxygen	6W
(C3) Material Certificate (Compliance to EN 10204.2004 3.1)	C3

\*Monel design does not include built-in dampening mechanism