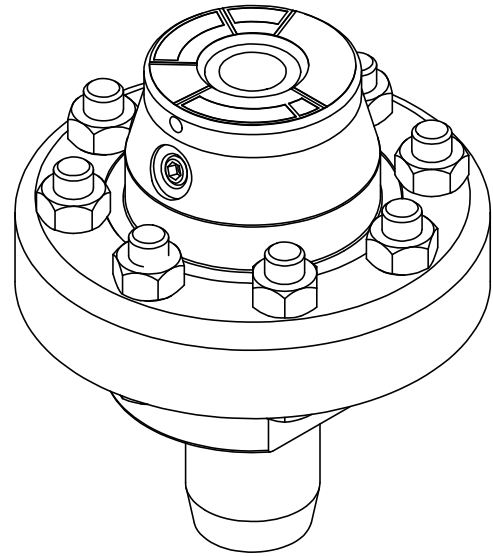
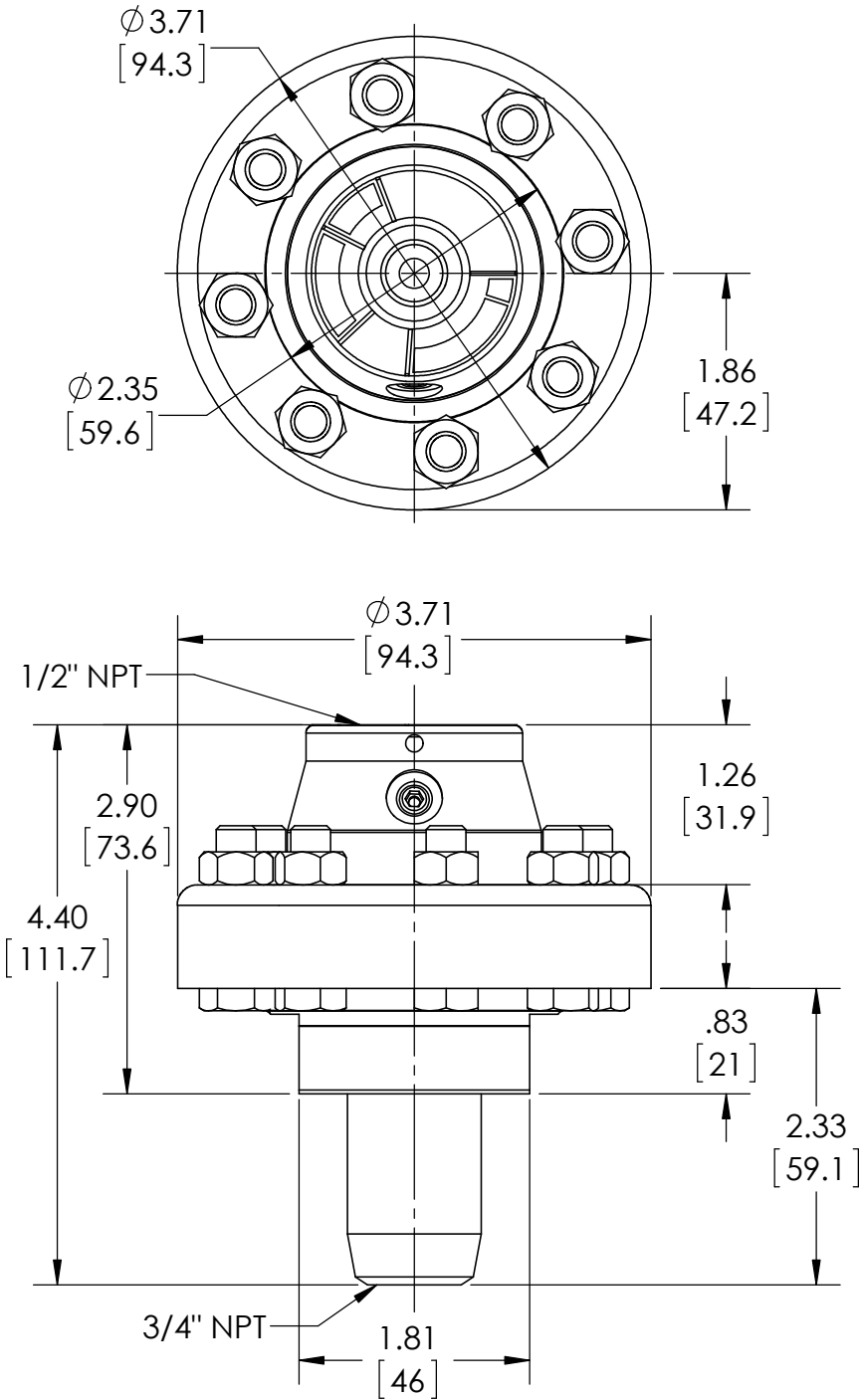


This drawing includes confidential information which is the property of ASHCROFT INC. This copy is loaned for a specific purpose, with the understanding that it will not be reproduced or used for any other purpose or disclosed to others, and it will be returned on demand.

**ASHCROFT** INC.

250 EAST MAIN STREET  
STRATFORD, CT 06614



DIMENSIONS IN [ ] ARE MILLIMETERS

| REV. | ECO     | DESCRIPTION            | BY  | DATE      |
|------|---------|------------------------|-----|-----------|
| A    | 0005001 | RELEASED GENERAL DIMS. | MJS | 7/16/2010 |

| This print certified correct for |          | General Dimensions  |              |               |      |
|----------------------------------|----------|---|--------------|---------------|------|
| Customer's Name                  |          | TYPE: 100, 200, 300   |              |               |      |
| Customer's Order No.             |          | PROCESS CONN: 3/4" MALE - INSTRUMENT CONN: 1/2" THREADED DIAPHRAGM SEAL |              |               |      |
| Ashcroft Order No.               |          | Drawn MJS   | Date 7/16/10 | Date of Issue |      |
| Certified by                     |          | Checked   | Date         | SHEET-1       | Rev. |
| Date                             | Approved | Date  | 70A3112      |               | A    |