

Type 400/500 Threaded All-Welded Diaphragm Seal



Type 400



Type 500

PRODUCT FEATURES

- Compact size
- Light weight
- All-welded design
- Flushing option
- Continuous duty design
- Minimized fill volume
- Male connections eliminate adapters/fittings

SPECIFICATIONS

Model Number:	Type 400, 500
Process Connection Size:	¼ NPT & ½ NPT Female ¼ NPT & ½ NPT Male
Instrument Connection Size:	¼, ½ NPT
Diaphragm Material:	316L SS, Hastelloy C-276, Monel 400, Tantalum, Titanium
Bottom Housing Materials:	316L SS, Hastelloy C-276, Monel 400, Titanium
Filling Fluid:	Glycerin, Silicone, Halocarbon, Syltherm
MAWP:	Type 400/401: 4400 psi Type 400/XHP: 9000 psi Type 401/XHP: 5000 psi Type 500/501: 500 psi

OPTIONS	Code
Stainless steel clamp rings and flanged ring – includes 300SS clamping bolts (1500 psi max, 5000 psi max with XHP) (Type 400)	SE
300SS clamping bolts (max pressure is 1500 psi) (Type 400)	SB
Pipe plugs for flushing connections – pipe plugs are available in the same materials as bottom housings	PU
High Pressure Rings	HP
Welded instrument to diaphragm seal	DU
Clean for gaseous oxygen or strong oxidizing agent applications.	6B

Type 400/500 Threaded All-Welded Diaphragm Seal

Table A – Process Connection

Process Connection ⁽¹⁾	Size	Code
Threaded Female NPT-400	¼	25
Threaded Female NPT-400	½	50
Threaded Female NPT-400	¾	75
Threaded Female NPT-500	¼	25
Threaded Female NPT-500	½	50
Threaded Female NPT-500	¾	75
Threaded Female NPT-500	1	10

Table B – Type

Description	Code
All-welded diaphragm seal	400
All-welded diaphragm seal	500

Table C – Diaphragm Materials

Materials	Code
316L SS	S
Hastelloy B	G
Hastelloy C-22	J
Hastelloy C-276	H
Tantalum	U
Monel	P
Titanium	TI

Table D – Housing Materials

Bottom	Code	Top ⁽¹⁾
316L SS	SL	316L SS
Hastelloy B	G	316L SS
Hastelloy C-22	J	316L SS
Hastelloy C-276	H	316L SS
Monel	N	Monel
Titanium	TI	Titanium

(1) 316L SS (standard) except for monel which has a monel top housing and titanium which has a titanium top housing.

Table E – Instrument Connection

Instrument Connection	Size	Code
Threaded – female NPT	¼	02T
Threaded – female NPT	½	04T

Table F – Filling Fluid

Fill	Service	Connection to Instrument	Temperature Range °F	Code
Glycerin	Pressure	Direct Only	0/400	CG
Silicone	Pressure/Vacuum	Direct or Flexible Line	-40/600	CK
Halocarbon	Pressure/Vacuum in presence of strong oxidizing agent	Direct or Flexible Line	-70/300	CF
Syltherm	Pressure	Direct or Flexible Line	-40/750	HA

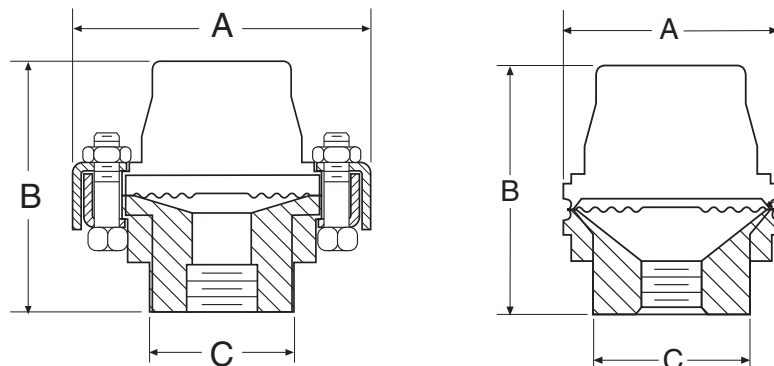
Monel is a registered trademark of Huntington Alloys, Inc.
Hastelloy is a registered trademark of Cabot Corp.
Halocarbon is a registered trademark of Halocarbon Products
GYLON 3510 is a registered trademark of Garlock Inc.

HOW TO ORDER:

1. From Table A...select PROCESS CONNECTION and SIZE. (e.g., 1"–code 10")
2. From Table B...select TYPE NUMBER. (e.g., code 400)
3. From Table C...select DIAPHRAGM MATERIAL. (e.g., 316L stainless steel–code SL)
4. From Table D...select BOTTOM HOUSING MATERIAL. (e.g., 316 stainless steel–code S)
5. From Table E...select INSTRUMENT CONNECTION size. (e.g., ¼ NPT–code 02T)
6. From Table F...select FILLING FLUID, if diaphragm seal will be attached to instrument. (e.g., Glycerin–code CG)

Typical code: 10-400SS-02T-150RF-CG

DIMENSIONS



Type 400 Threaded

A		B		C	
in	mm	in	mm	in	mm
¾	(95)	2½	(73)	1½/₁₆	(46)

Type 500 All-Welded

A		B		C	
in	mm	in	mm	in	mm
2½	(63)	2½	(73)	1½/₁₆	(46)