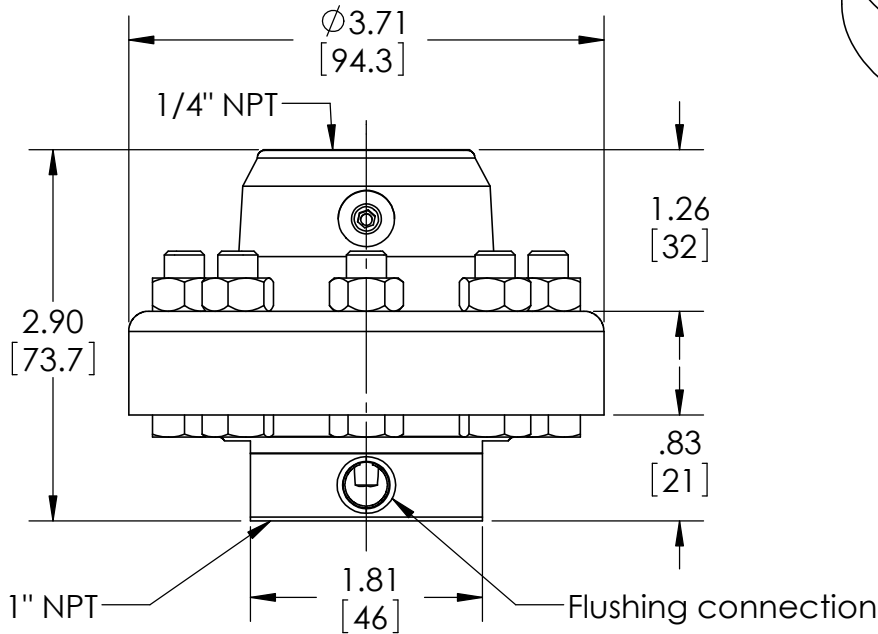
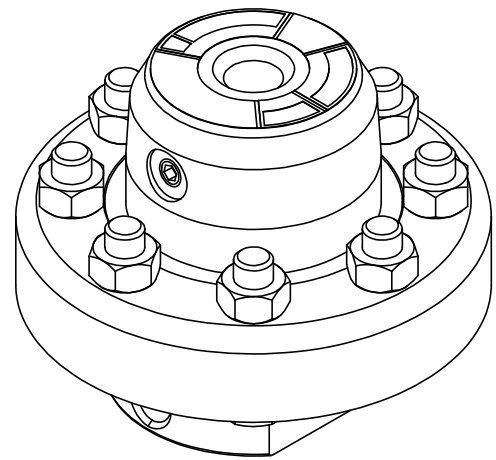
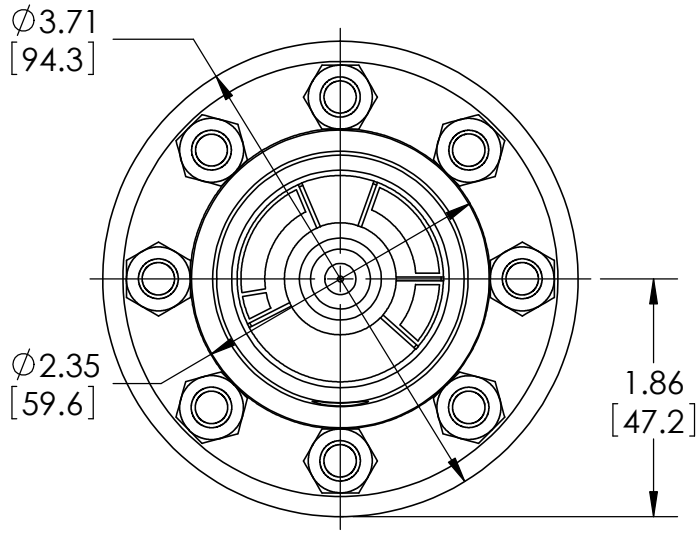




This drawing includes confidential information which is the property of ASHCROFT INC. This copy is loaned for a specific purpose, with the understanding that it will not be reproduced or used for any other purpose or disclosed to others, and it will be returned on demand.

ASHCROFT INC.

250 EAST MAIN STREET
STRATFORD, CT 06614



DIMENSIONS IN [] ARE MILLIMETERS

REV.	ECO	DESCRIPTION	BY	DATE
A	0005001	RELEASED GENERAL DIMS.	MJS	8/4/2010

This print certified correct for		General Dimensions			
Customer's Name		TYPE: 401			
Customer's Order No.		PROCESS CONN: 1" - INSTRUMENT CONN: 1/4" NPT			
Ashcroft Order No.		THREADED DIAPHRAGM SEAL W/ FLUSHING CONN.			
Certified by		Drawn MJS	Date 8/4/10	Date of Issue	
Date		Checked	Date	SHEET-1	Rev.
		Approved	Date	70A3369	A