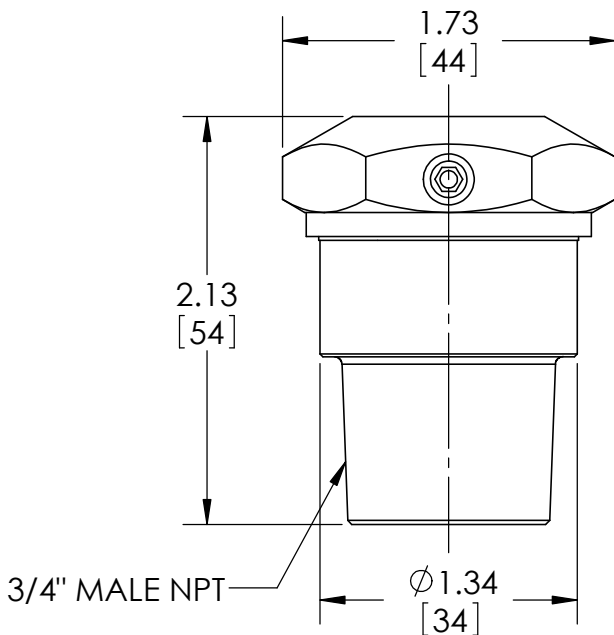
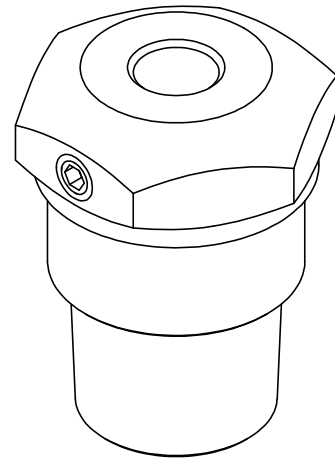
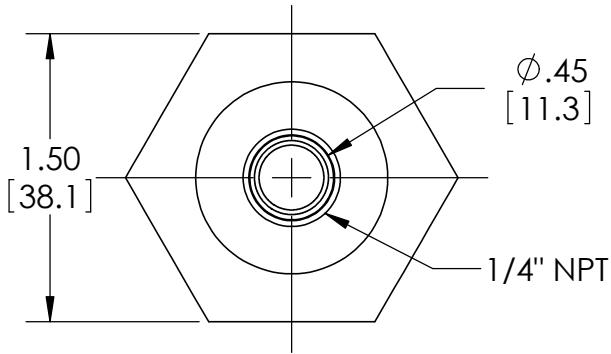


This drawing includes confidential information which is the property of ASHCROFT INC. This copy is loaned for a specific purpose, with the understanding that it will not be reproduced or used for any other purpose or disclosed to others, and it will be returned on demand.

ASHCROFT® INC.

250 EAST MAIN STREET
STRATFORD, CT 06614



DIMENSIONS IN [] ARE MILLIMETERS

REV.	ECO	DESCRIPTION	BY	DATE
A	0005001	RELEASED GENERAL DIMS.	MJS	7/27/2010

This print certified correct for		General Dimensions			
Customer's Name		TYPE: 310			
		PROCESS CONN: 3/4" MALE - INSTRUMENT CONN: 1/4" NPT			
		THREADED MINI DIAPHRAGM SEAL			
Customer's Order No.		Drawn MJS	Date 7/27/10	Date of Issue	
Ashcroft Order No.		Checked	Date	SHEET-1	Rev.
Certified by	Date	Approved	Date	70A3334	A