

Type 320 Quick-Connect Diaphragm Seal



TYPE 320

PRODUCT FEATURES

- 316L stainless steel diaphragm welded to a 316L stainless steel top housing.
- Fill/bleed connection
- Top housing and pressure instrument removable from process.
- Compatible with Tri-Clover and Cherry Burrell S line connections

PRODUCT INFORMATION

- The 1½"-Type 320 is for use on most 3½" and smaller size gauges; the 2"-Type 320 can be attached to gauges up through 4½" size.
- Quick-connect clamps, gaskets or bottom housings are not supplied.
- Can be used with pressure gauges, switches and transducers.
- Maximum operating pressure and temperature are determined by the gaskets and clamping devices, used in the piping system, by the instrument range and by the fill fluid.

The Ashcroft® Type 320 quick-connect diaphragm seal is designed especially for those applications that require ease of dismantling and re-assembly and do not require a 3A standard rating in accordance with sanitary standard 74-03. Typical applications include the pharmaceutical, dairy, food processing, bio-technology, and filtration markets. Also included are breweries, distilleries, wineries and citrus juice production plants.

SPECIFICATIONS

| | |
|------------------------------------|--|
| Model Number: | Type 320 |
| Process Connection Size: | 1½", 2" |
| Instrument Connection Size: | ¼", ½ NPT |
| Diaphragm Material: | 316L SS |
| Bottom Housing Materials: | 316L SS |
| Filling Fluid: | Glycerin, Silicone, Halocarbon, Syltherm |

Type 320 Quick-Connect Diaphragm Seal

Table A – Process Conn. (Tri-Clamp)

| Process Connection | Size | Code |
|--------------------|------|------|
| Tri-Clamp | 1½ | 15 |
| Tri-Clamp | 2 | 20 |

Table B – Type

| Description | Code |
|------------------------------|------|
| Quick-Connect Diaphragm Seal | 320 |

Table C – Diaphragm Material

| Material | Code |
|----------|------|
| 316L SS | S |

Table D – Housing Materials

| Bottom | Code | Top ⁽¹⁾ |
|--------------|------|--------------------|
| Not Required | X | 316L SS |

(1) Top housing material is 316L SS (standard).

Table E – Instrument Connection

| Instrument Connection | Size | Code |
|-----------------------|------|------|
| NPT | ¼ | 02T |
| NPT | ½ | 04T |

Table F – Filling Fluid

| Fill | Service | Connection to Instrument | Temperature Range °F | Code |
|------------|---|--------------------------|----------------------|------|
| Glycerin | Pressure | Direct Only | 0/400 | CG |
| Silicone | Pressure/Vacuum | Direct or Flexible Line | -40/600 | CK |
| Halocarbon | Pressure/Vacuum in presence of strong oxidizing agent | Direct or Flexible Line | -70/300 | CF |
| Syltherm | Pressure | Direct or Flexible Line | -40/750 | HA |

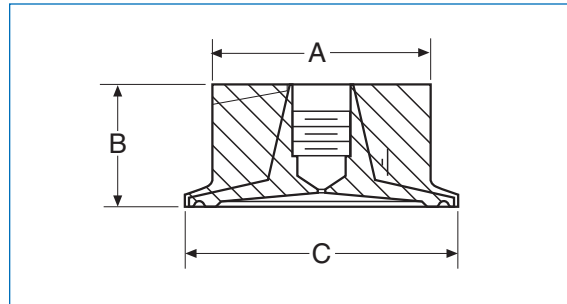
Monel is a registered trademark of Huntington Alloys, Inc.
 Hastelloy is a registered trademark of Cabot Corp.
 Halocarbon is a registered trademark of Halocarbon Products
 GYLON 3510 is a registered trademark of Garlock Inc.

HOW TO ORDER:

- From Table A...select PROCESS CONNECTION, TriClamp conn 1½ (15 code), 2" (20 code)
- From Table B...select TYPE NUMBER, Quick-connect Diaphragm Seal (320 code)
- From Table C...select DIAPHRAGM MATERIAL. (e.g., 316L SS (code S))
- From Table D...select HOUSING MATERIAL. (e.g., 316L SS (code S))
- From Table E...select INSTRUMENT CONNECTION size. (e.g., ¼ NPT—code 02T)
- From Table F...select FILLING FLUID, if diaphragm seal will be attached to instrument. (e.g., Glycerin—code CG)

Coded order: 15-320SS-02T-CG

TYPE 320 Quick-Connect



Type 320 Quick Connect – ¼, ½ NPT

| Size | A | | B | | C | |
|------|-------|------|-------|------|------|------|
| | in | mm | in | mm | in | mm |
| 1½" | 12.50 | (42) | .875 | (22) | 2 | (50) |
| 2" | 2 | (51) | 1.125 | (29) | 2.50 | (63) |