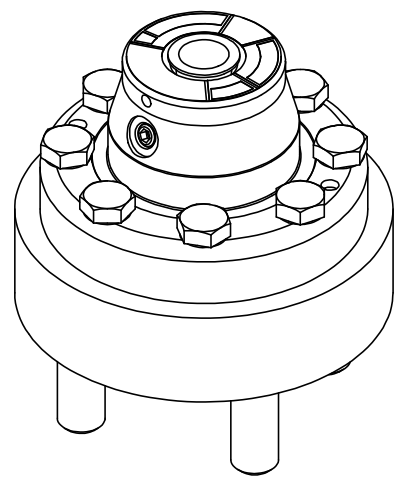
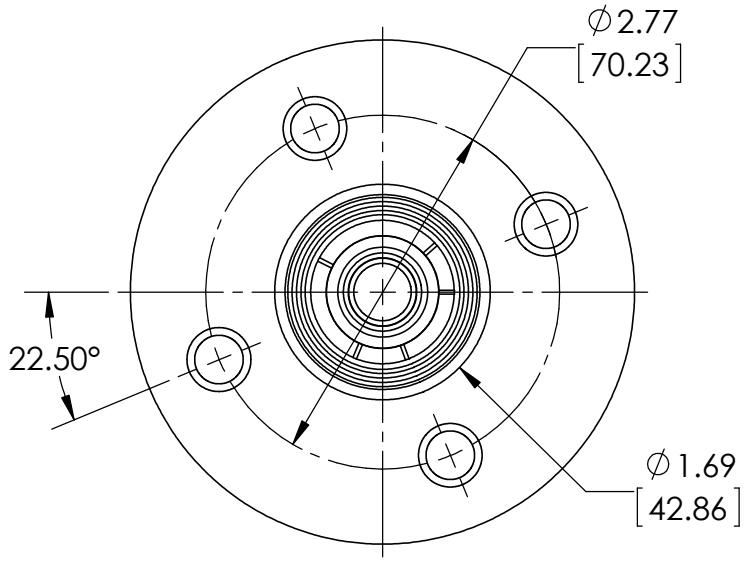
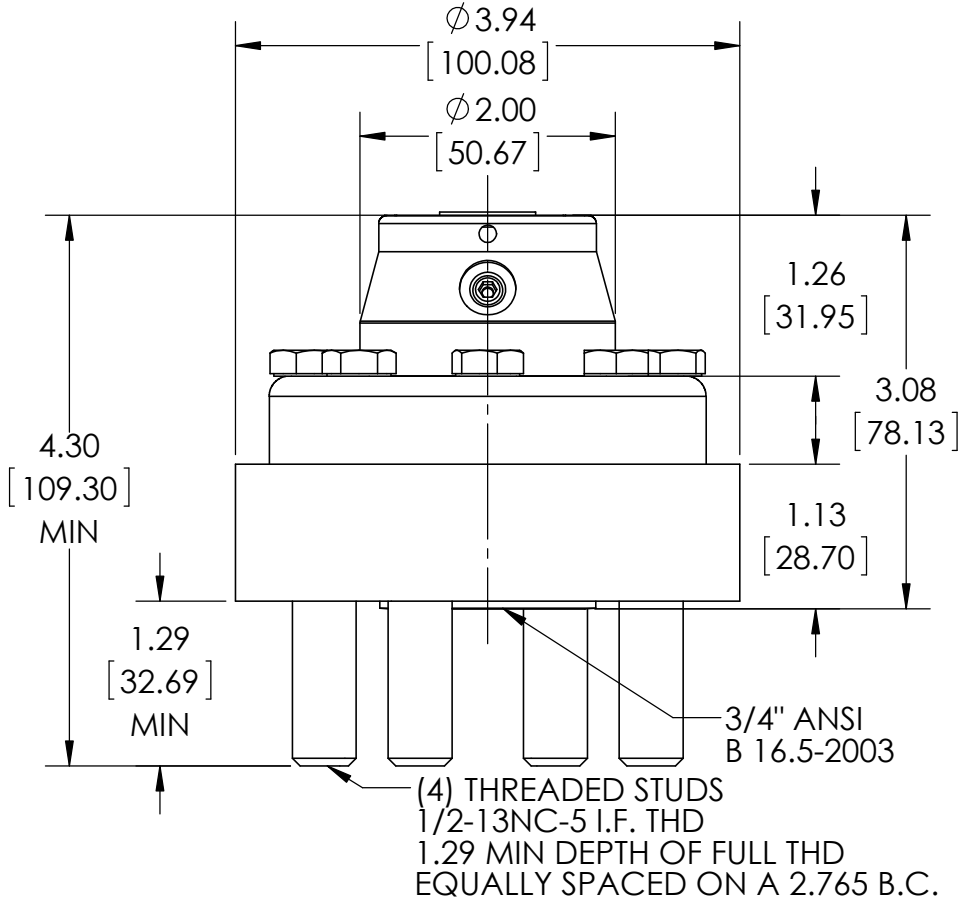




This drawing includes confidential information which is the property of ASHCROFT INC. This copy is loaned for a specific purpose, with the understanding that it will not be reproduced or used for any other purpose or disclosed to others, and it will be returned on demand.



250 EAST MAIN STREET  
STRATFORD, CT 06614



REV.	ECO	DESCRIPTION	BY	DATE
A	5001	RELEASED GENERAL DIMS.	MJS	7/21/2010

This print certified correct for		<b>General Dimensions</b>		
Customer's Name		TYPE 102, 202, 302		
		PROCESS CONN: 3/4" - INSTRUMENT CONN: 1/2" NPT		
		FLANGE RATING: 150 RF		
Customer's Order No.		Drawn MJS	Date 7/21/10	Date of Issue
Ashcroft Order No.		Checked	Date	SHEET-1
Certified by	Date	Approved	Date	<b>70A3128</b>
				<b>A</b>