

Custom Electronic Packaging And Metal Components

Machining, Casting, Extrusions, Forging, Sheet Metal Design, Engineering, Manufacturing, Mechanical Assembly

Designed By Baknor Or
We Build To Print Your Print

Custom Packaging Solutions
Metal Components
Sub Assemblies

Machining

- Precision
- Repeatable
- Complex

Precision Die Casting

- High Quality
- Aluminium
- Zinc
- Magnesium

Fabricated Extrusion

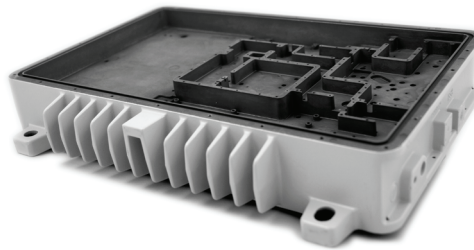
- Standard Profiles
- Custom Profiles
- Complete Finishing

Precision Packaging

Mechanical Assemblies

Electro Mechanical Assemblies

Baknor aggressively pursues price and technology improvements for our customers.



- **Precision Forging** for complex shapes & sizes that cannot be achieved with extruded or die cast parts. Often less expensive due to less secondary operations.
- **Custom Sheet Metal** enclosures with added hardware & various components. Aluminum, Steel, Stainless, or Galvanized. Engineered or build to print.

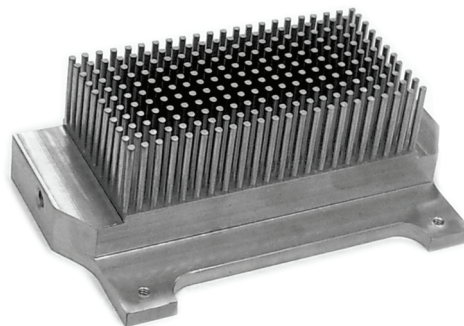
- **Machining Capabilities** from CNC milling machines and lathes to wire EDM machines, for quick turn prototypes to large production runs, simple to complex.

- **Precision Die Cast**, parts assemblies and packaging using, Zinc, Aluminum and Magnesium. From complex engineered solutions to simple cost reductions.

- **Extrusions**, a complete range of standard & custom shapes, seamless and structural pipe and tube with exceptional capabilities in extruded sizes, alloys and tempers.



We partner with an extensive supply base to finish, silkscreen, coat and assemble components and various hardware that allows us to supply our customers with product that can go right to their assembly lines, regardless of where in the world assembly takes place.



We engineer precision enclosures, components and various parts, with or without assembly requirements by taking our extensive engineering knowledge with our specialized manufacturing technologies. We help companies around the world save money by identifying components and assemblies in their products that can be redesigned or where we can consolidated through our various processes. We are a recognized supplier within our customer base with a history of delivering value through our engineering expertise, efficient operations and advanced quality systems.

Many of our customers look to Baknor for cost reductions for their build to print requirements.

baknor

Custom Electronic Packaging And Metal Components

Machining, Casting, Extrusions, Forging, Sheet Metal Design, Engineering, Manufacturing, Mechanical Assembly

OEM's are increasingly concentrating on their core strengths, capabilities and focus, which requires suppliers to take on projects, rather than merely supplying a single component. The level of project management will rely on the customer requirements, supply chain implications, and technical and project complexity.

Customers have relied on Baknor for full-service project management. With a requirement for cost reductions, we have come to rely on ensuring a focus on the little things. That is what's required for a precision supplier. From the customer's original concept, through quick turn prototyping, tooling and pre-production stages, right into full-scale manufacturing—Baknor ensures that all the small stuff is taken care of, so you don't have to.

Baknor

Low Cost Experts in
Thermal Management and
Custom Electronic Packaging

Fabricated, fully tested, and ready-to-install precision metal components, mechanical and electromechanical assemblies built to your drawings and specifications.

BAKNOR PRODUCT LINES ALSO INCLUDES

Thermal Management Solutions

Thermal Modeling Solutions

Natural Convection Heat Sinks

- BGA Cooling
- Heat Sinks Extrusion
- Heat Sinks Castings
- Heat Sinks Machining
- Heat Sinks Forged

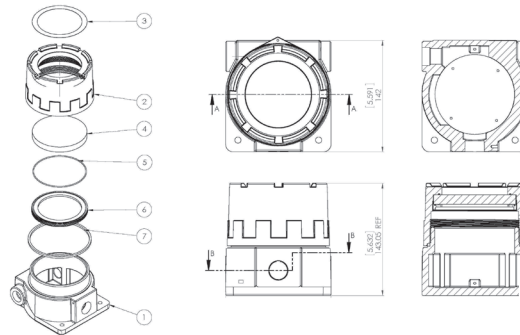
Forced Convection Heat Sinks

- Fin Assemblies
- Fan Assemblies

Phase Change Heat Sinks

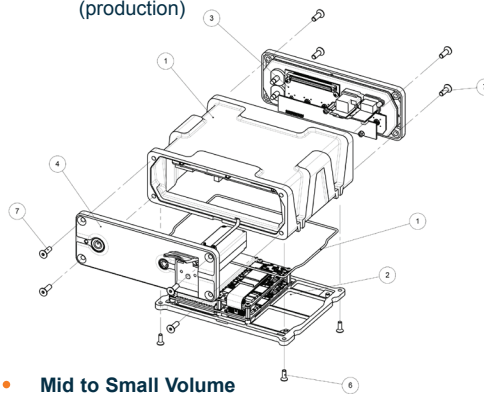
- Heat Pipes
- Vapor Chambers

Liquid Cooling Cold Plates

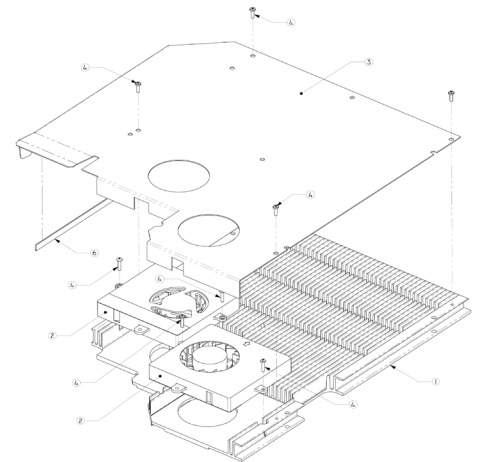


- **Baknor Design Services**, start with new ideas, whether the project is complex or simple. Ideas that result in a well designed quality product where the focus is on ease of manufacture and assembly. Expertise includes the ability to design around your manufacturing process.

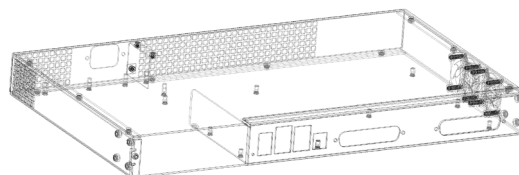
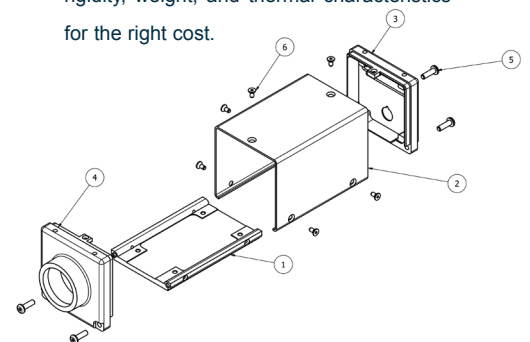
- **In Collaboration** with your team or turn-key solution we offer;
 - product line expertise
 - improved "time to market"
 - cost-effective custom design
 - complete solutions from concept to (production)



- **Mid to Small Volume**
Many customers are surprised at the cost effectiveness of our designs that result in being able to tool their requirements for small and medium sized volume.



- **From Custom Solutions**, simple to very complex. Add our Value Engineering to be able to formulate the proper strength, rigidity, weight, and thermal characteristics for the right cost.



baknor

5225 Orbitor Drive Suite #2
Mississauga, Ontario
Canada L4W 4Y8
Phone: 905-624-1800
www.baknorthermal.com
sales@baknor.com

baknor

Custom Electronic Packaging
And Metal Components