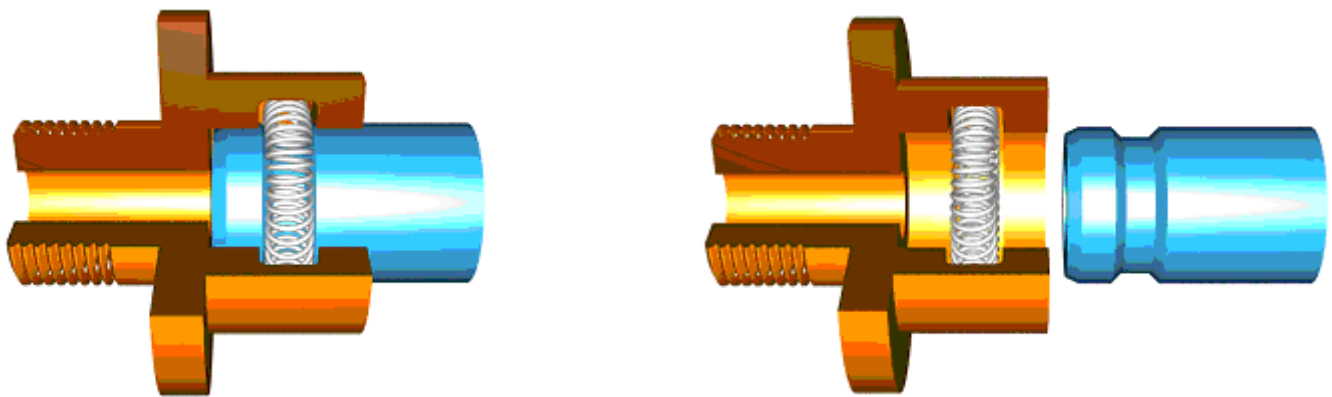


## BAL CONTACT™ SPRINGS FOR ELECTRO-MECHANICAL APPLICATIONS

Bal Contact™ springs provide excellent electrical and mechanical performance. The small coil size and the high number of coils make the springs suitable for electrical connector designs. The patented canted-coil spring provides near-constant spring contact force over a wide range of working deflection and compensates for large mating tolerances and surface irregularities.

The Bal Contact™ spring is highly resistant to compression set and provides long life and excellent service in shock, vibration, and harsh environments. In addition, the ability of Bal Contact™ springs to deflect and produce a radial load makes them well suited for latching and holding applications.



### OPERATING PARAMETERS

Continuous current:	Up to 150 A
Connect force:	10 N; (2.25 lb); (1019 g)
Plug diameters:	25 mm (0.98 in.)
Spring Selection:	100 MB
Spring Material:	Silver-plated copper alloy

### FEATURES

- Spring design provides simple latching and holding capability.
- Canted-coil spring permits relatively large tolerances on mating parts for low production costs.
- Unique configuration enables spring to fit in small packaging requirements for compact designs.
- Controlled insertion and removal force makes assembly and installation easy.
- Simplifies connector design.
- Multiple point contacts ensure high current-carrying capability.
- High resistance to compression set provides long life cycle.

For more information and technical assistance, consult the Bal Seal Technical Sales Department.

PATENTS: The items described in this page include products that are the subject of issued United States and foreign patents or products where patents are pending, including the following: Patents 6,641,141 B2; 7,210,398 B2; 6,161,838; 5,992,856; 5,134,244

