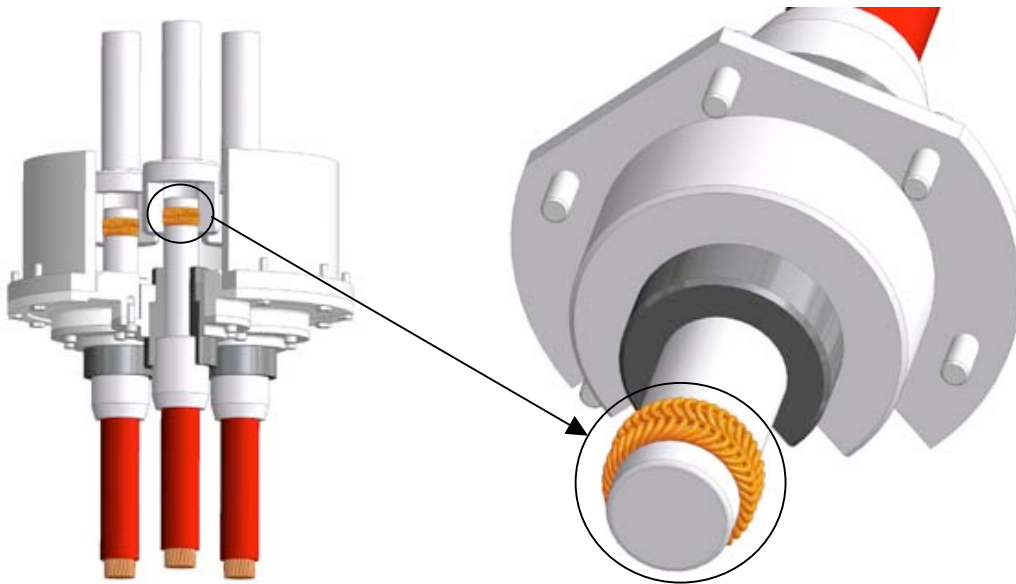


BAL CONTACT™ SPRINGS FOR VOLTAGE CABLE END PIECE CONNECTORS

Bal Contact™ springs provide excellent electrical and mechanical performance in cable end piece connector. The multiple contact points used in Bal Contact™ springs ensure high current-carrying capacity.

The patented canted-coil springs provide near-constant spring contact force over a wide range of working deflection to compensate for large mating tolerances and surface irregularities. Bal Contact™ springs provide excellent service in shock, vibration, and harsh environments.



Operating Parameters

Connect force:	< 300N
Current:	1,800 A
Current pulse:	40 kA (3 second)
Plug diameters:	20-150 mm
Bal Contact™ spring:	107MA
Spring Material:	BeCu Silver Plated

Features of Bal Contact™ Spring:

- Multiple point contacts ensure virtually loss free contact carrying capability for compact designs.
- Unique configuration enables spring to fit small radial and longitudinal space requirements
- Controlled insertion and removal force for easy assembly.
- Minimal part count simplifies connector design
- Wide tolerances on mating parts for low production costs
- Outstanding performance in shock, vibration and harsh environment.

For more information and technical assistance, consult the Technical Sales Department.

PATENTS: The items described in this page include products that are the subject of issued United States and foreign patents or products where patents are pending, including the following: Patents 6,641,141 B2; 7,210,398 B2; 6,161,838; 5,992,856; 5,134,244
U.S. Address 19650 Pauling Foothill Ranch, CA 92610-2610 • Phone: (949) 460-2100 • Fax: (949) 460-2300

BV Address: Jollemanhof 16, • 1019 GW Amsterdam • The Netherlands • Phone: 31 20 638 65 23 • Fax: 31 20 625 60 18

Rev.A 8-30-07 (11-282)

Bal Seal Engineering, Inc. is certified to [ISO 9001](#) | www.balseal.com