



WWW.BARRYIND.COM

# TVC2335CT-50R0JN-99-02



## BeO

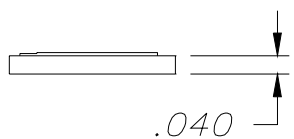
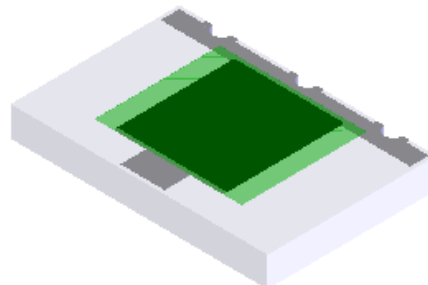
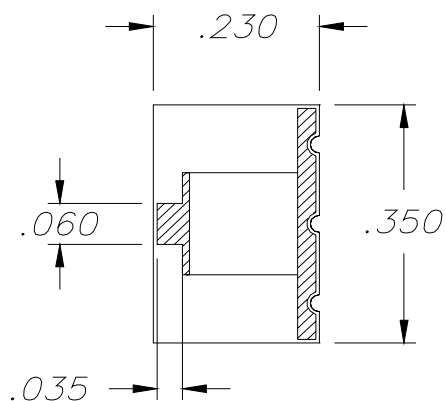
## CHIP TERMINATION

### Features:

- ◆ BeO Material
- ◆ DC- 3 GHz Performance
- ◆ 100 Watt Input Power
- ◆ Solder Mountable
- ◆ CT - Matte Tin over Nickel over Silver

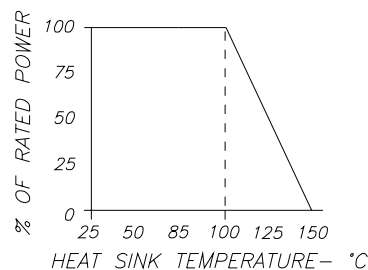
### General Description:

The TVC2335CT-50R0JN-99-02 is a 50 ohm, BeO solder mountable chip termination. It has an input power of 100 watts, while maintaining a mounting surface temperature of 100°C. It offers a frequency range from DC-3 GHz.



*Dimensions in inches  
Tolerance ± .010  
unless otherwise stated*

DERATING CURVE:



| Parameter                    | Min. | Typ. | Max. | Units |
|------------------------------|------|------|------|-------|
| Frequency Range              | DC   |      | 3    | GHz   |
| Input Power                  |      |      | 100  | Watts |
| Input Return Loss            | 22   |      |      | dB    |
| Resistance                   | 47.5 | 50   | 52.5 | Ohms  |
| Mounting Surface Temperature |      |      | 100  | °C    |

Barry Industries reserves the right to change part number and or process without notification

Barry Industries, Inc., 60 Walton St., Attleboro, MA 02703 T: 508-226-3350 F: 508-226-3317 E-mail: sales@barryind.com  
Barry Industries maintains an ISO 9001 Certified Quality Management System

| Origination Date | Revision Date | Rev. |
|------------------|---------------|------|
| 07/11/03         | 02/12/08      | B    |