



TVC2525CB-50R0JN-99-01

WWW.BARRYIND.COM

BeO

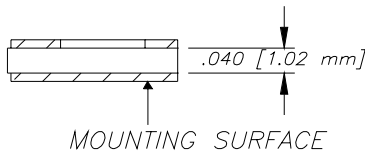
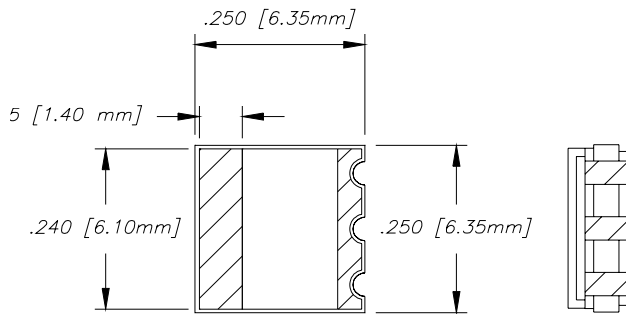
TERMINATION

Features:

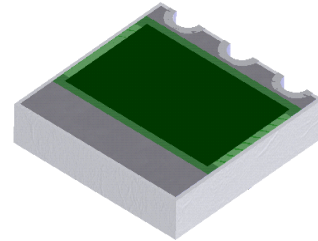
- ◆ BeO
- ◆ Solder mountable
- ◆ 100 Watt Input Power
- ◆ DC - 1 GHz performance
- ◆ CB - Tin Lead over Nickel over Silver

General Description:

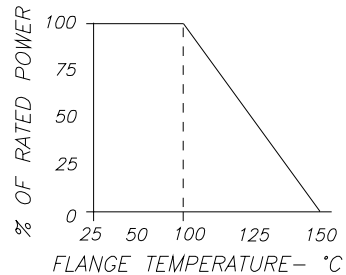
The TVC2525CB-50R0JN-99-01 is a 50 Ohm BeO chip termination capable of an input power of 100 Watts while maintaining a constant 100°C heat sink temperature. It offers an excellent frequency range from DC to 1 GHz.



Tolerance $\pm .010$ [.254 mm]



DERATING CURVE:



Parameter	Min.	Typ.	Max.	Units
Frequency Range	DC		1	GHz
Input Return Loss	17			dB
Impedance	47.5	50	52.5	Ohms
Input Power			100	Watts
Mounting Surface Temperature			100	°C

* Barry Industries reserves the right to change part number and or process without notification

Barry Industries, Inc., 60 Walton St., Attleboro, MA 02703 T: 508-226-3350 F: 508-226-3317 E-mail: sales@barryind.com

Barry Industries maintains an ISO 9001 Certified Quality Management System

Origination Date	Revision Date	Rev.
05/17/07	05/17/07	-