



WWW.BARRYIND.COM

# A0800-40-3X



BeO

8 dB

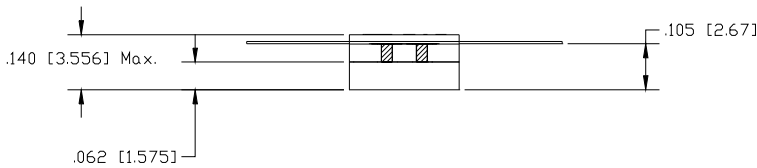
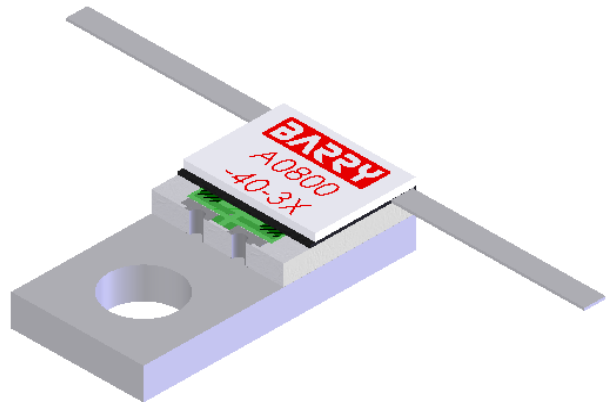
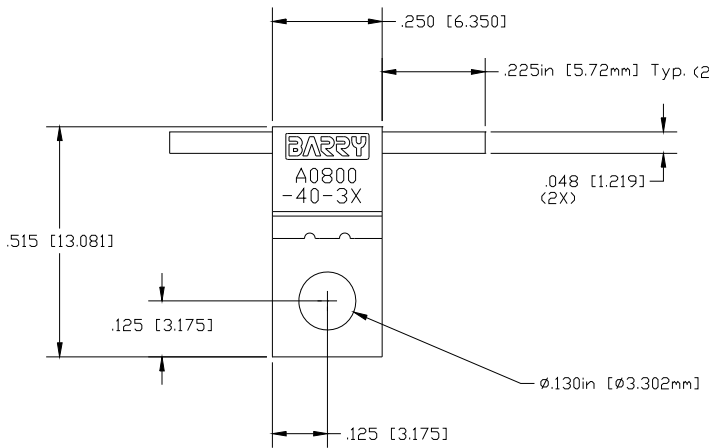
FLANGED ATTENUATOR

### Features:

- ◆ BeO Material
- ◆ DC - 3.5 GHz Performance
- ◆ 40 Watt Input Power
- ◆ Flange Mount

### General Description:

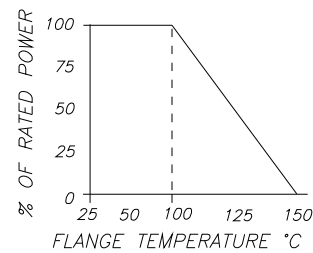
The A0800-40-3X is a 8 dB BeO flanged attenuator. It has an input power of 40 watts, while maintaining a constant flange temperature of 100°C. It offers a frequency range from DC to 3.5 GHz.



Dimensions in inches [mm]  
Tolerance  $\pm$  .010 [.254]  
unless otherwise stated

UNIT CAN BE MOUNTED IN EITHER DIRECTION

DERATING CURVE:



Parameter	Min.	Typ.	Max.	Units
Frequency Range	DC		3.5	GHz
Input Return Loss	17			dB
Output Return Loss	17			dB
Input Power			40	Watts
Flange Temperature			100	°C
Attenuation	7.5	8	8.5	dB

Barry Industries reserves the right to change part number and or process without notification.

Barry Industries, Inc., 60 Walton St., Attleboro, MA 02703 T: 508-226-3350 F: 508-226-3317 E-mail: sales@barryind.com

Barry Industries maintains an ISO 9001 Certified Quality Management System

Origination Date	Revision Date	Rev.
11/24/08	11/24/08	-