



WWW.BARRYIND.COM

# H05Z-2000J99-00C36-X



BeO

20 dB

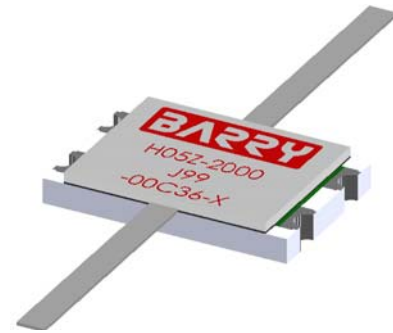
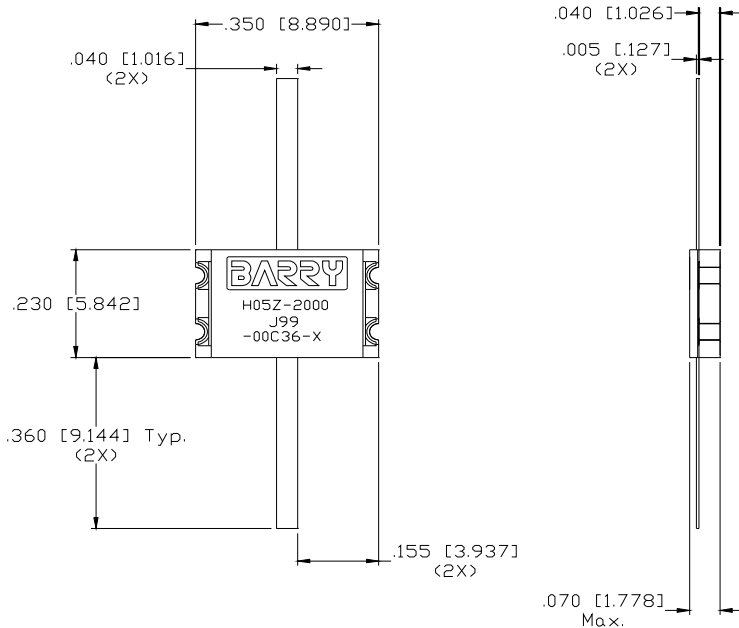
LEADED ATTENUATOR

### Features:

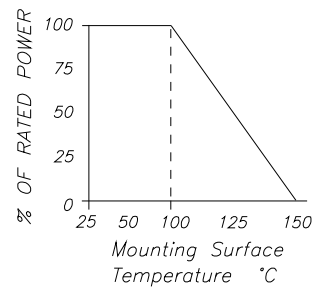
- ◆ BeO Material
- ◆ DC - 3GHz Performance
- ◆ 40 Watt Input Power

### General Description:

The H05Z-2000J99-00C36-X is a leaded 20 dB, BeO attenuator. It has an input power rating of 40 watts, while maintaining a constant mounting surface temperature of 100°C. It offers a frequency range from DC to 3GHz.



DERATING CURVE:



Unit can be mounted in either direction.  
 Dimensions in inches [mm]  
 Tolerance  $\pm .010$  [.254]  
 unless otherwise stated

Parameter	Min.	Typ.	Max.	Units
Frequency Range	DC		3	GHz
Input Power			40	Watts
Input/Output Return Loss	18			dB
Mounting Surface Temperature			100 150 (0% Power)	°C
Attenuation	19	20	21	dB

Barry Industries reserves the right to change part number and or process without notification.

Barry Industries, Inc., 60 Walton St., Attleboro, MA 02703 T: 508-226-3350 F: 508-226-3317 E-mail: sales@barryind.com

Barry maintains an ISO 9001 Certified Quality Management System

Origination Date	Revision Date	Rev.
09/18/13	09/18/13	-