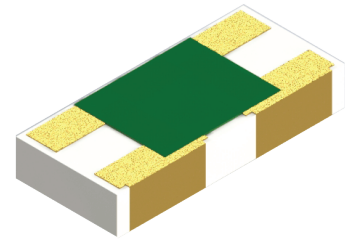


### AV0904GA-0600JN-91 Features:

- PI Configuration
- Wirebondable Terminals
- Customer Defined Testing Available
- RoHS Compliant
- Tape & Reel or Waffle Pack Available (Standard is bulk)



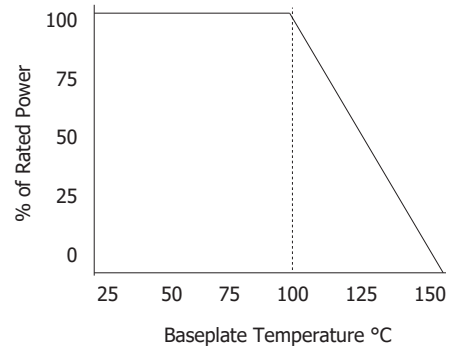
Actual Size

### AV0904GA-0600JN-91 Parameters:

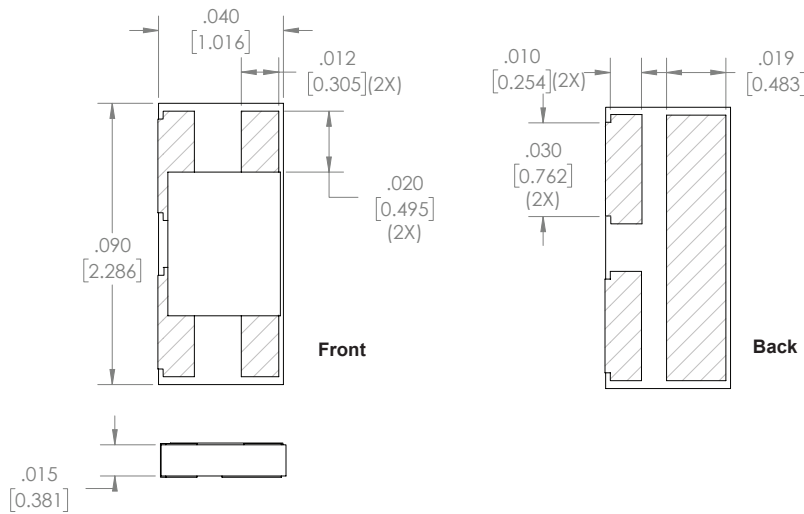
Attenuation:	6dB	
Operating Frequency:	DC - 30GHz*	
Attenuation Tolerance:	±0.5dB	
Rated Power:	.75W**	
Return Loss (Typical)*:	20dB or Better (DC - 18GHz)	12dB or Better (>18GHz - 30GHz)
Impedance:	50Ω	
Construction:	Thick Film on Al <sub>2</sub> O <sub>3</sub>	
Operating Temperature:	-55 to +150°C	

\* In a matched, continuous 50Ω system with proper workmanship  
 \*\* Rating based on ≤100°C constant baseplate temperature

### AV0904GA-0600JN-91 Power Derating Curve



### AV0904GA-0600JN-91 Dimensions:



Dimensions in inches [mm]  
 Tolerance is ± 0.010 [0.254] unless otherwise stated

### Ordering Information:

<b>AV</b>	<b>0904</b>	<b>GA</b>	<b>-</b>	<b>0600</b>	<b>J</b>	<b>N</b>	<b>-</b>	<b>91</b>	<b>UU</b>
Prefix for Single-Wrap to Ground Attenuator				Value Code 0600 - 6dB	Tolerance J - 5%	Normal Inspection Contact factory for additional options		Substrate 91 - 0.015" Al <sub>2</sub> O <sub>3</sub>	Packaging Blank - Bulk TR - Tape and Reel WP - Waffle Pack
Size 0904									
Terminal Metallization GA - Gold				RoHS <b>Yes</b>	Magnetic No	Solder No	Epoxy <b>Yes</b>	Wirebond <b>Yes</b>	

Barry Industries reserves the right to change part number and/or process without notification.

## AV0904GA-0600JN-91 Reliability Specifications:

Parameter:	Test Condition:	Results:
Short Time Overload	Apply 1.1x Rated Power for 5 Seconds.	≤ 5.0% Resistance Shift
Rated Load Life	Apply 1/2 Power Under 40°C ±2°C 90 Minutes on/ 30 Minutes off. Repeat for 100 hours	≤ 5.0% Resistance Shift
Moisture Resistance	MIL-PRF-55342 para 4.8.9 95% RH, 25°C - 65°C	≤ 5.0% Resistance Shift
Resistance to Bonding Exposure	MIL-PRF-55342 Para 4.8.8.2	≤ 5.0% Resistance Shift
High Temperature Storage	125°C ±2°C for 500 Hours	1.) ≤ 5.0% Resistance Shift 2.) No Significant Abnormality (Visual)
Thermal Shock	-65°C to +150°C 30 Minutes Dwell, 5 Cycles	1.) ≤ 5.0% Resistance Shift 2.) No Significant Abnormality (Visual)

Barry Industries reserves the right to change part number and/or process without notification.